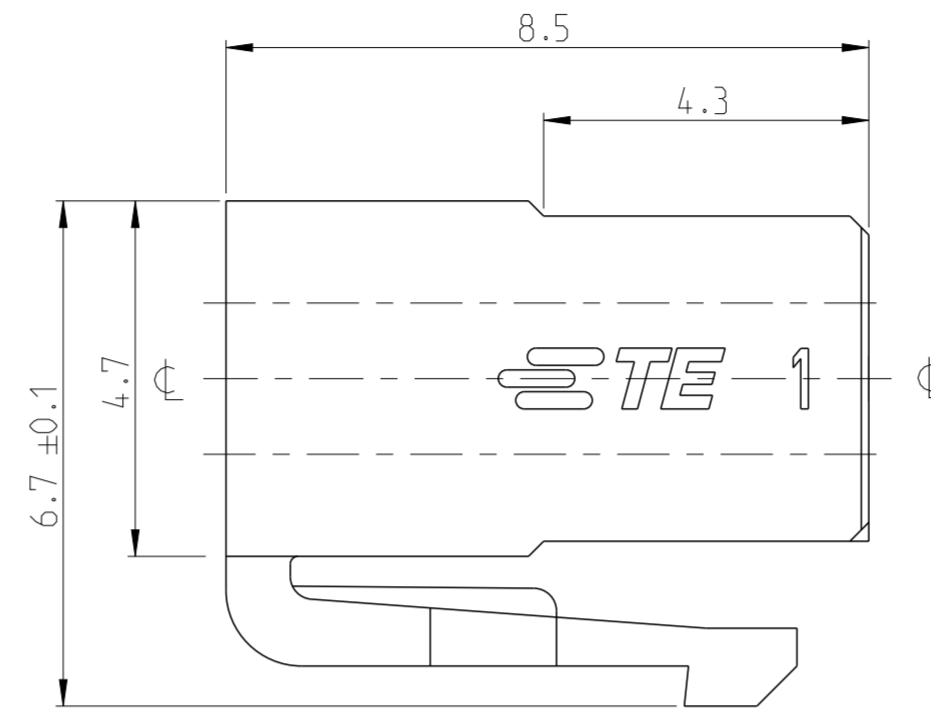
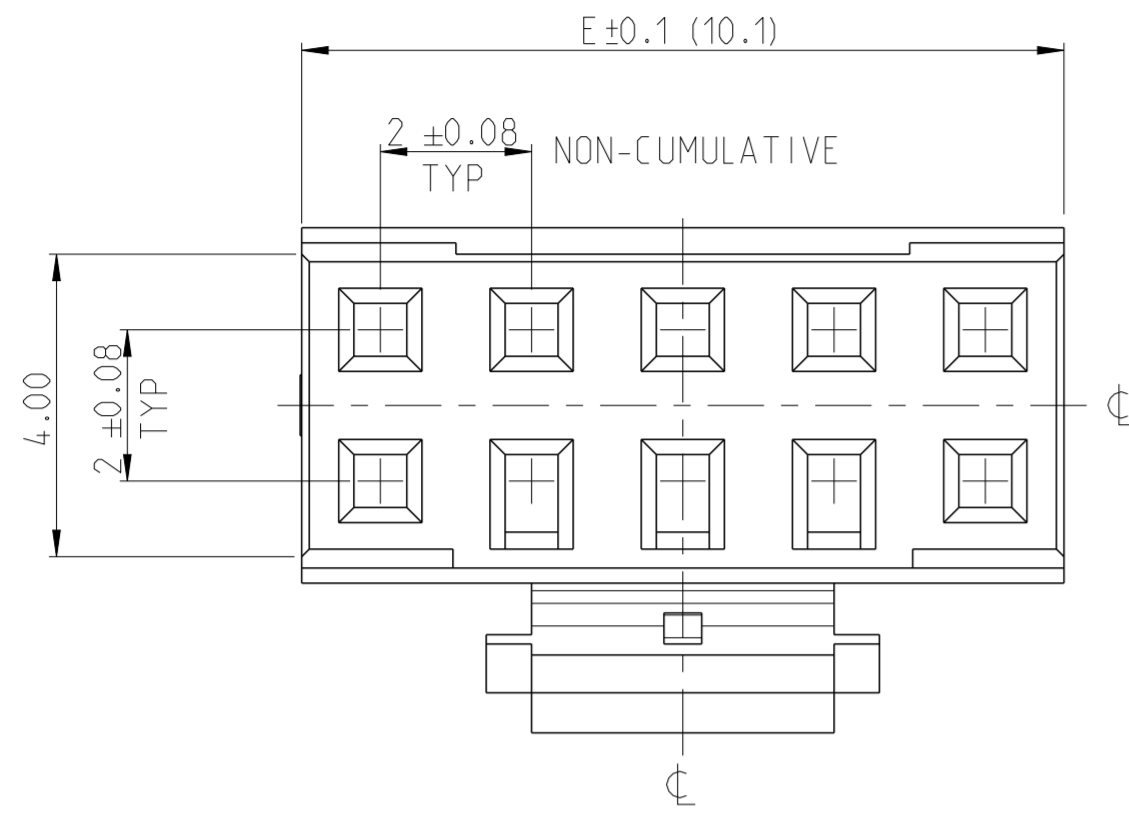
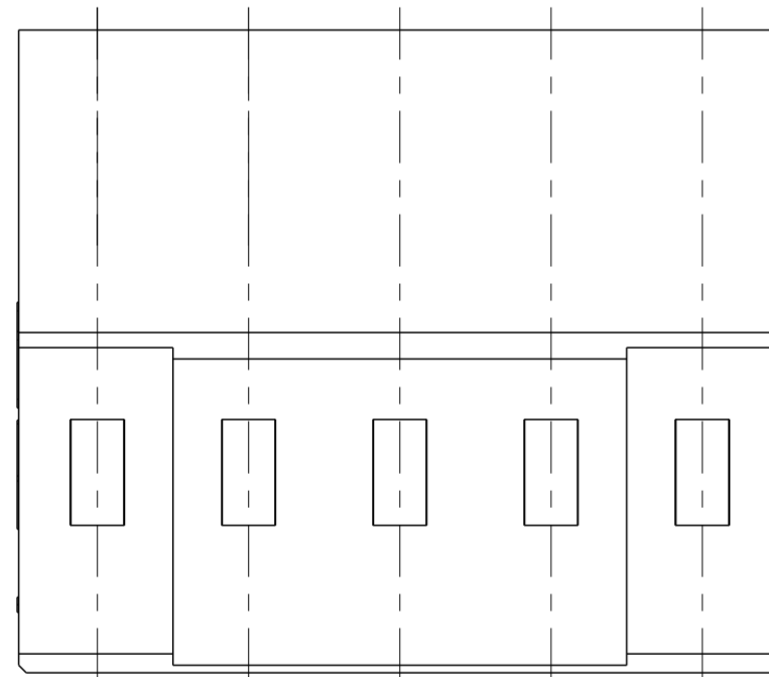


P	LTR	DESCRIPTION	DATE	DWN	APVD
	A	RELEASE TO PRODUCTION	22FEB2022	AY	PS

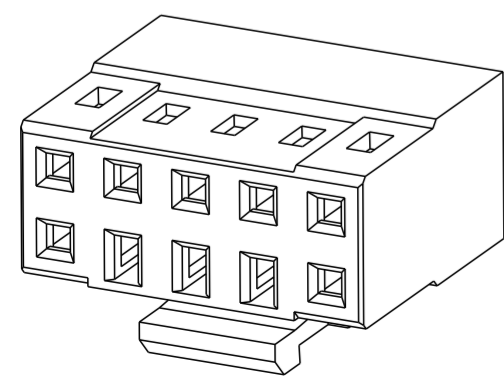


NOTES:

- MATERIAL:  
LCP BLACK, UL94 V0
- N = NUMBER OF POSITION PER HOUSING.
- HOUSING TO BE USED WITH CRIMP CONTACTS  
2316113 (AWG 28-24/0.08-0.22 mm<sup>2</sup>) AND  
2316114 (AWG 30-28/0.05-0.08 mm<sup>2</sup>)
- PACKAGING : BOX



DUAL ROW HOUSING  
CENTER LATCH VERSION.  
1- -0 AS SHOWN



SCALE 5:1

CENTERLINE AND POSITIONS UNDER THE LATCH		HSG W / ODD POS PER ROW	50.1	50	2MM-RCP-D25-BX
			44.1	44	2MM-RCP-D22-BX
			40.1	40	2MM-RCP-D20-BX
			32.1	32	2MM-RCP-D16-BX
			30.1	30	2MM-RCP-D15-BX
			28.1	28	2MM-RCP-D14-BX
			26.1	26	2MM-RCP-D13-BX
			24.1	24	2MM-RCP-D12-BX
			22.1	22	2MM-RCP-D11-BX
			20.1	20	2MM-RCP-D10-BX
			18.1	18	2MM-RCP-D09-BX
			16.1	16	2MM-RCP-D08-BX
			14.1	14	2MM-RCP-D07-BX
			12.1	12	2MM-RCP-D06-BX
			10.1	10	2MM-RCP-D05-BX
			8.1	8	2MM-RCP-D04-BX
			6.1	6	2MM-RCP-D03-BX
			DIM "E"	N	SMART PN

THIS DRAWING IS A CONTROLLED DOCUMENT.

DIMENSIONS: mm	TOLERANCES UNLESS OTHERWISE SPECIFIED: 0 PLC ± 1 PLC ±0.15 2 PLC ±0.10 3 PLC ± 4 PLC ± ANGLES ±2° FINISH	DWN 06SEP2016 RAKSHITH R NAYAK CHK 06SEP2016 PRASHANTH S APVD 06SEP2016 PRASHANTH S PRODUCT SPEC 108-64040-1 APPLICATION SPEC 114-32173 WEIGHT -	NAME AMPMODU 2mm, WTB, RECEPTACLE, HOUSING, CRIMP, DUAL ROW, CENTER LATCH SIZE A2 CAGE CODE 00779 DRAWING NO C-2316110 RESTRICTED TO -
MATERIAL SEE NOTE 1		CUSTOMER DRAWING	SCALE 8:1 SHEET 1 OF 2 REV A

TE Connectivity

REVISIONS				
P	LTR	DESCRIPTION	DATE	APVD
-	-	SEE SHEET 1	-	-

SMART PART NUMBER  
2MM - RCP - D\_\_ - BX

PRODUCT SERIES

2MM	AMPMODU 2mm SERIES
-----	--------------------

GENDER / TYPE

RCP	RECEPTACLE HOUSING FOR CRIMP WITH POSITIVE LATCH
-----	--

NUMBER OF ROWS

D	DUAL ROW
---	----------

PACKAGING


BX	BOX
----	-----

NUMBER OF PINS PER ROW

XX	03 THROUGH 16 (ENTER TWO DIGITS)
----	-------------------------------------

SMART PN EXAMPLES:

- 2MM-RCP-D03-BX:  
AMPMODU 2mm, RECEPTACLE HOUSING FOR CRIMP WITH POSITIVE LATCH, DUAL ROW , 03 POSITION PER ROW , BOX PACKAGING
- 2MM-RCP-D16-BX:  
AMPMODU 2mm, RECEPTACLE HOUSING FOR CRIMP WITH POSITIVE LATCH, DUAL ROW , 16 POSITION PER ROW , BOX PACKAGING

THIS DRAWING IS A CONTROLLED DOCUMENT.		DWN 06SEP2016 RAKSHITH R NAYAK	 TE Connectivity	
DIMENSIONS: mm		CHK 06SEP2016 PRASHANTH S		
TOLERANCES UNLESS OTHERWISE SPECIFIED:		APVD 06SEP2016 PRASHANTH S	NAME AMPMODU 2mm, WTB, RECEPTACLE, HOUSING, CRIMP, DUAL ROW, CENTER LATCH	
0 PLC ±		PRODUCT SPEC	RESTRICTED TO	
1 PLC ±0.15		108-64040-1	SIZE	A2
2 PLC ±0.10		APPLICATION SPEC	CAGE CODE	00779
3 PLC ±		114-32173	DRAWING NO	C-2316110
4 PLC ±		WEIGHT	SCALE 1:1 SHEET 2 OF 2 REV A	
ANGLES ±°		CUSTOMER DRAWING		
FINISH				
MATERIAL SEE NOTE 1				