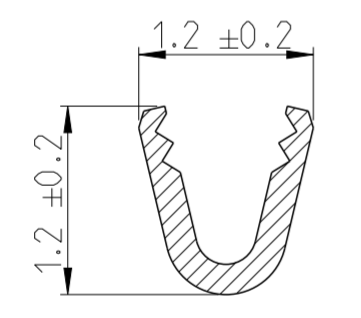
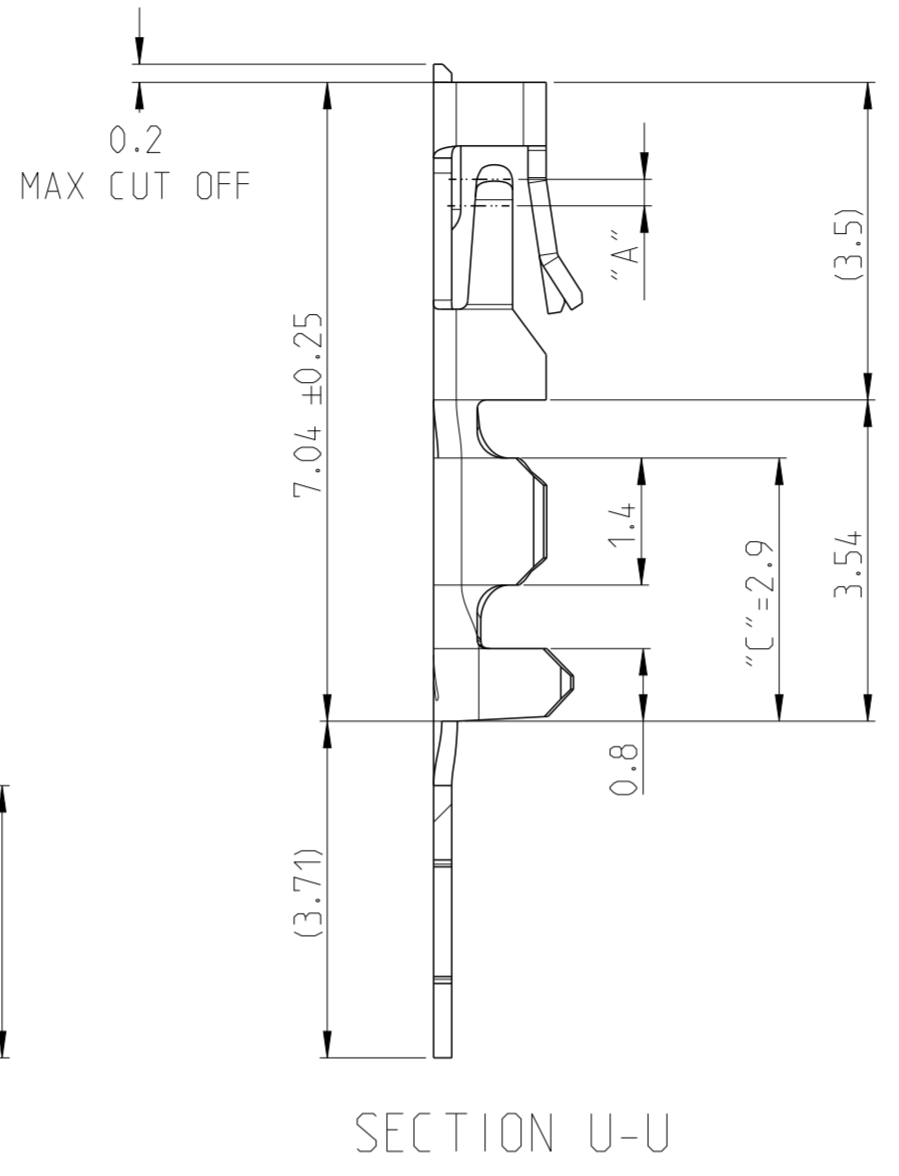
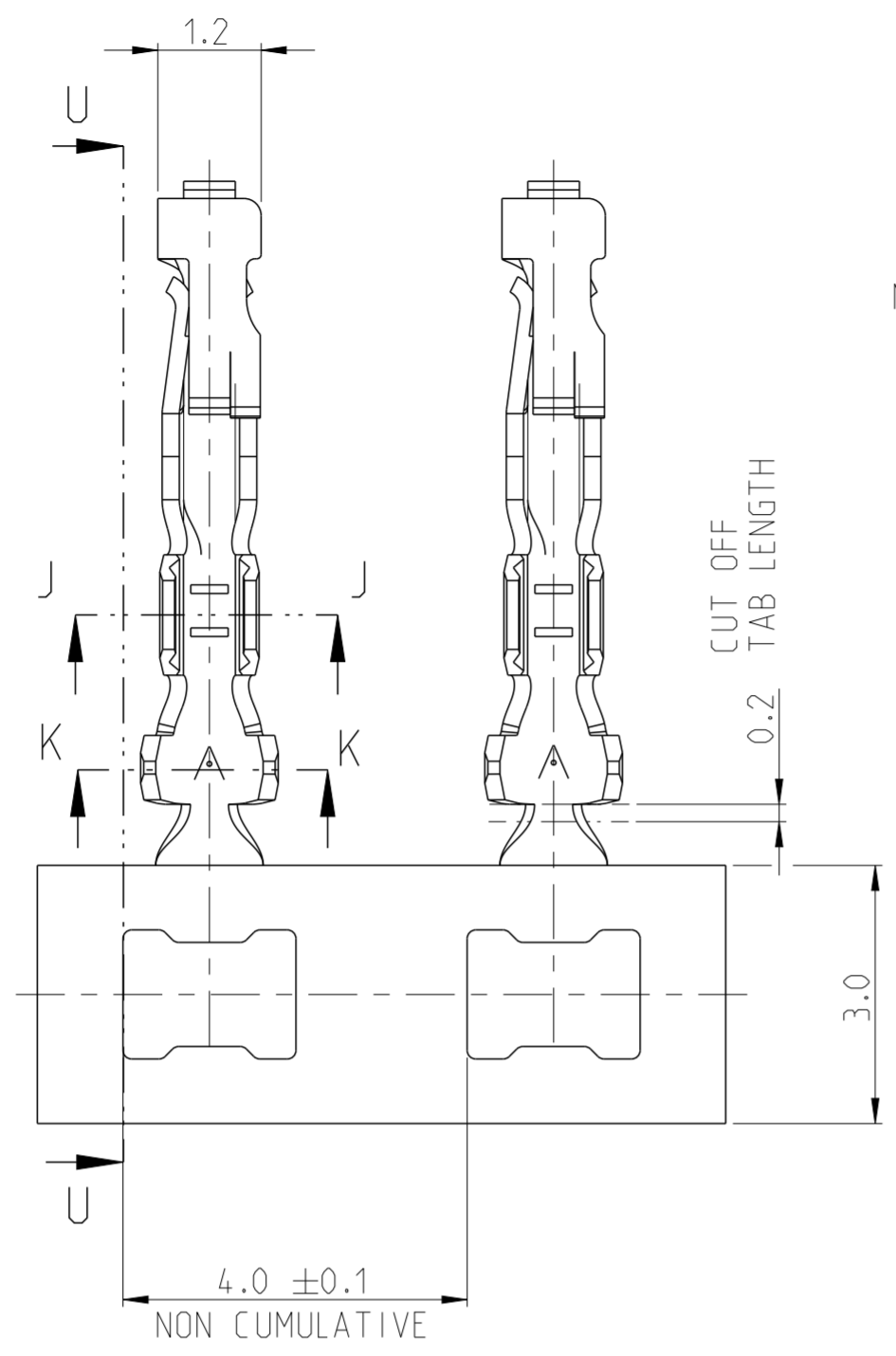
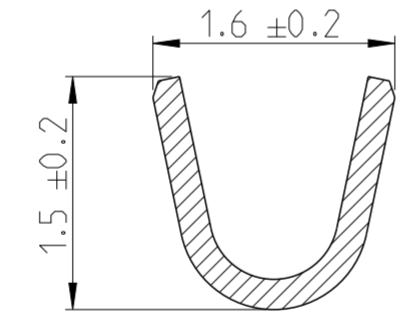


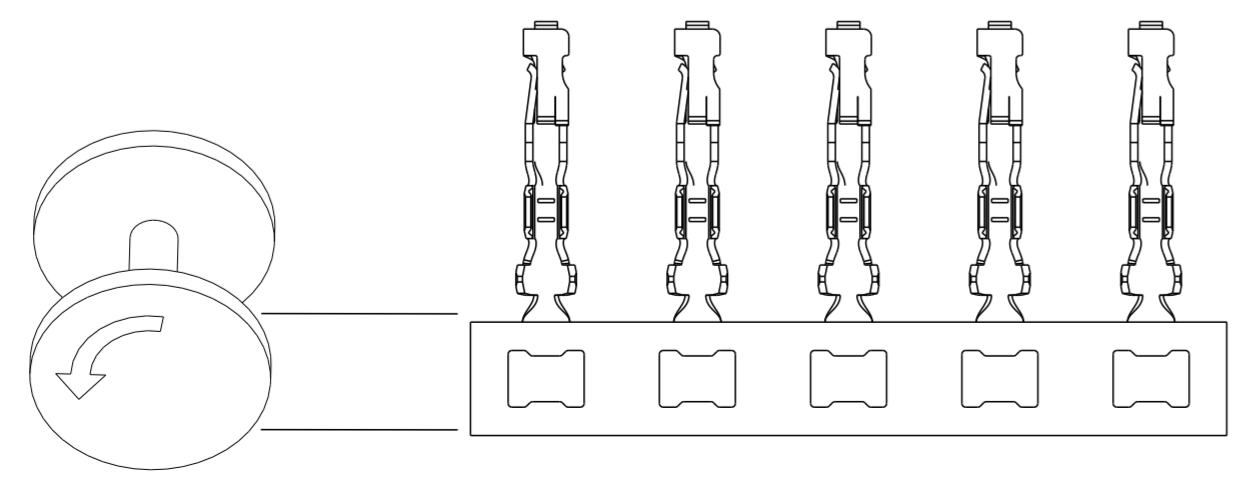
P	LTR	DESCRIPTION	DATE	DWN	APVD
A		RELEASE TO PRODUCTION	18 JUN 2020	AY	PS
A1		SMART PN DETAILS ADDED	16 FEB 2022	SCB	PS



SECTION J-J  
20:1



SECTION K-K  
20:1



WIRE RANGE: 0.05-0.08 mm<sup>2</sup> (30-28 AWG)  
INSULATION RANGE: Ø0.5-Ø1.0mm

- NOTES:
- MATERIAL:  
PHOSPHOR BRONZE, 0.2mm THICK
  - FINISH:  
1.27-2.54 µm TIN ALL OVER  
UNDERPLATE 1.27 µm MIN NICKEL ALL OVER
  - CONTACT AREA "A": MIN 0.1 µm THK GOLD  
CRIMP AREA "C" : 1.27 - 2.54 µm THK TIN  
UNDERPLATE 1.27 µm MIN NICKEL ALL OVER
  - CONTACT AREA "A" : MIN 0.38 µm THK GOLD  
CRIMP AREA "C" : 1.27 - 2.54 µm THK TIN  
UNDERPLATE 1.27 µm MIN NICKEL ALL OVER
  - CONTACT AREA "A" : MIN 0.76 µm THK GOLD  
CRIMP AREA "C" : 1.27 - 2.54 µm THK TIN  
UNDERPLATE 1.27 µm MIN NICKEL ALL OVER
6. APPLICABLE HOUSINGS :  
SINGLE ROW : 2316102  
DUAL ROW : 2316108, 2316109

5	-	2MM-RT-S-H-LP	LOOSE PIECE - HANDTOOL
5	30,000	2MM-RT-S-H-ST	OCEAN APPLICATOR
4	-	2MM-RT-S-M-LP	LOOSE PIECE - HANDTOOL
4	30,000	2MM-RT-S-M-ST	OCEAN APPLICATOR
3	-	2MM-RT-S-F-LP	LOOSE PIECE - HANDTOOL
3	30,000	2MM-RT-S-F-ST	OCEAN APPLICATOR
2	-	2MM-RT-S-T-LP	LOOSE PIECE - HANDTOOL
2	30,000	2MM-RT-S-T-ST	OCEAN APPLICATOR
FINISH	QTY PER REEL	SMART PN	TOOLING

THIS DRAWING IS A CONTROLLED DOCUMENT.

DIMENSIONS: mm	TOLERANCES UNLESS OTHERWISE SPECIFIED: 0 PLC ± 1 PLC ±0.15 2 PLC ±0.10 3 PLC ± 4 PLC ± ANGLES ±2° FINISH	DWN 29OCT2017 CHK 29OCT2017 APVD 08DEC2017 PRASHANTH PRODUCT SPEC 108-64040-1 APPLICATION SPEC 114-32173 WEIGHT -	TE Connectivity NAME AMPMODU 2mm RECEPTACLE, wTB CRIMP CONTACT, AWG 30-28 SIZE CAGE CODE DRAWING NO RESTRICTED TO A2 100779 C-2316114 - CUSTOMER DRAWING SCALE 12:1 SHEET 1 OF 2 REV A1
-------------------	---	--	---

REVISIONS				
P	LTR	DESCRIPTION	DATE	APVD
-		SEE SHEET 1	-	-

SMART PART NUMBER  
2MM - RT - S - - - -

PRODUCT SERIES

2MM	AMPMODU 2mm SERIES
-----	--------------------

GENDER / TYPE

RT	RECEPTACLE CRIMP CONTACT
----	--------------------------

WIRE SIZE

S	AWG 30-28
---	-----------

PACKAGING


ST	STRIP
LP	LOOSE PIECE

PLATING

T	TIN
F	GOLD FLASH
M	0.38 μm GOLD
H	0.76 μm GOLD

SMART PN EXAMPLES:

- 2MM-RT-S-T-ST:  
AMPMODU 2mm, RECEPTACLE CRIMP CONTACT, AWG 30-28 SIZE WIRE, TIN PLATED, STRIP PACKAGING
- 2MM-RT-S-M-LP:  
AMPMODU 2mm, RECEPTACLE CRIMP CONTACT, AWG 30-28 SIZE WIRE, 0.38 μm GOLD PLATED, LOOSE PIECE PACKAGING

THIS DRAWING IS A CONTROLLED DOCUMENT.		DWN SOURAV DAS 29OCT2017	 TE Connectivity	
DIMENSIONS: mm		CHK RAKSHITH R NAYAK 29OCT2017		
TOLERANCES UNLESS OTHERWISE SPECIFIED:		APVD PRASHANTH 08DEC2017	NAME AMPMODU 2mm RECEPTACLE, wTB CRIMP CONTACT, AWG 30-28	
0 PLC ±		PRODUCT SPEC 108-64040-1	RESTRICTED TO	
1 PLC ±0.15		APPLICATION SPEC 114-32173	SIZE A2	CAGE CODE 100779
2 PLC ±0.10		WEIGHT -	DRAWING NO C-2316114	SCALE 12:1
3 PLC ±		CUSTOMER DRAWING	SHEET 2	OF 2
4 PLC ±			REV A1	
ANGLES ±2°				
FINISH				
MATERIAL SEE NOTE				