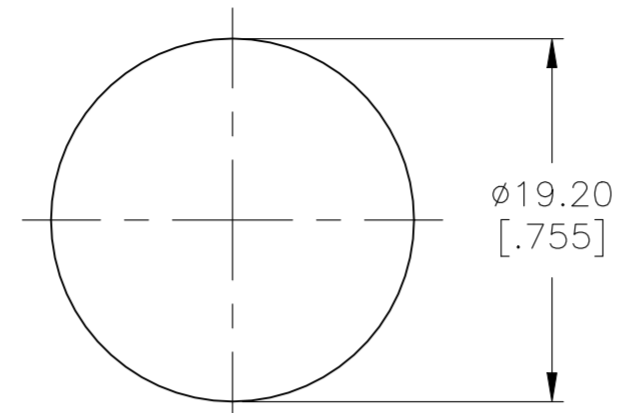
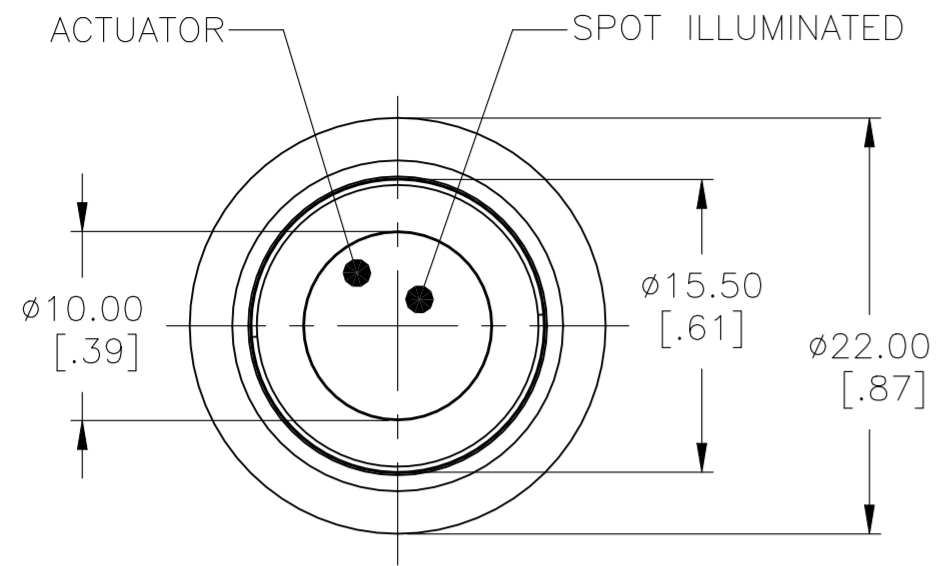


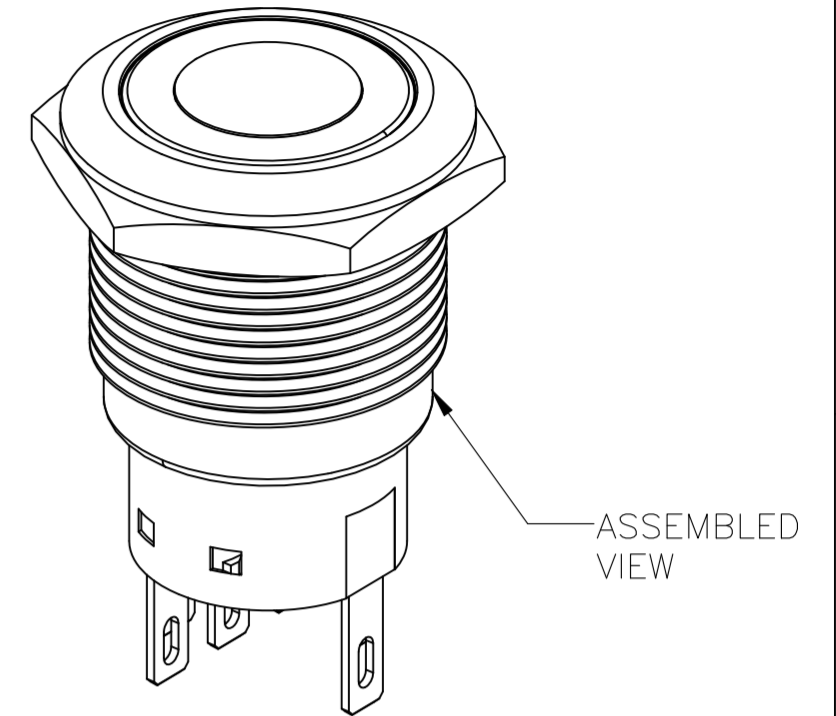
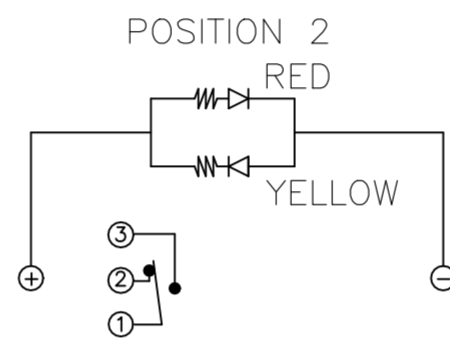
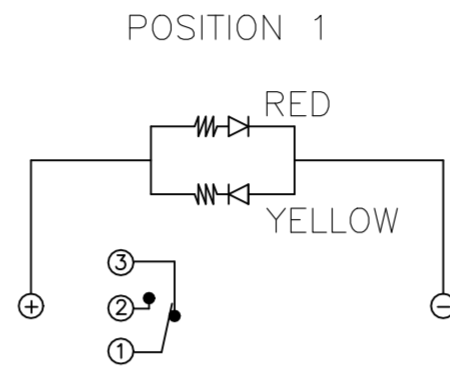
THIS DRAWING IS UNPUBLISHED. RELEASED FOR PUBLICATION  
 © COPYRIGHT - TE Connectivity ALL RIGHTS RESERVED.

REVISIONS					
P	LTR	DESCRIPTION	DATE	DWN	APVD
A1		ECO-21-006709	18JUN2021	RK	AS

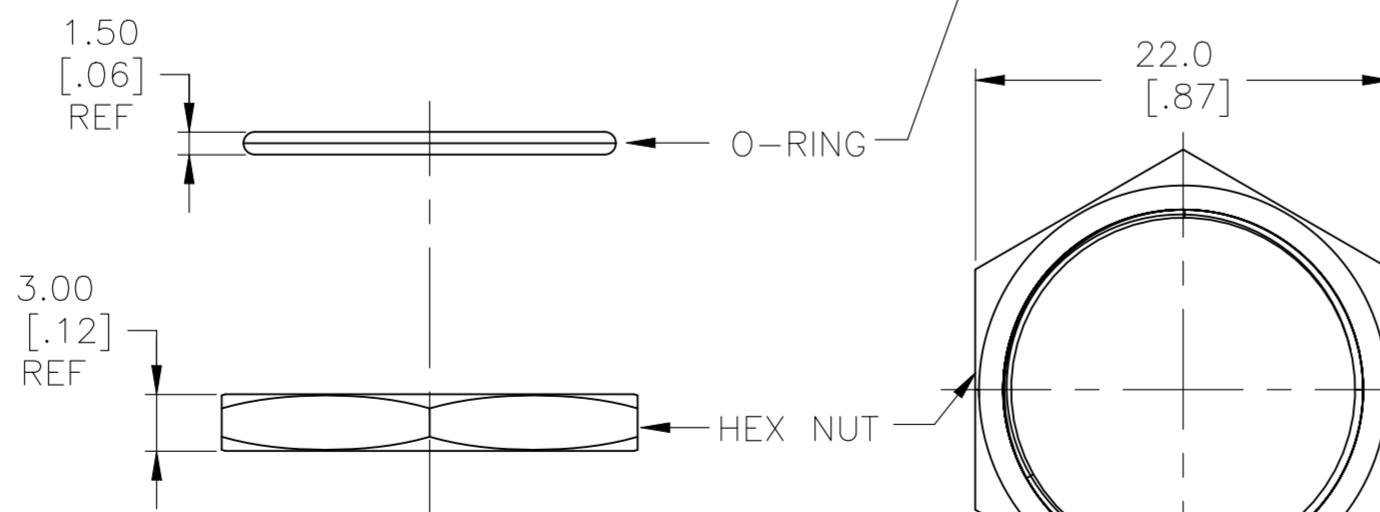
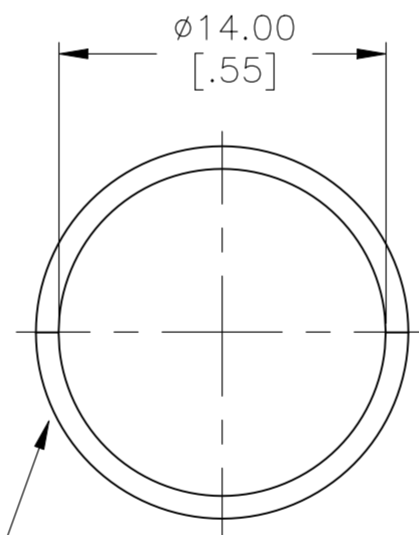
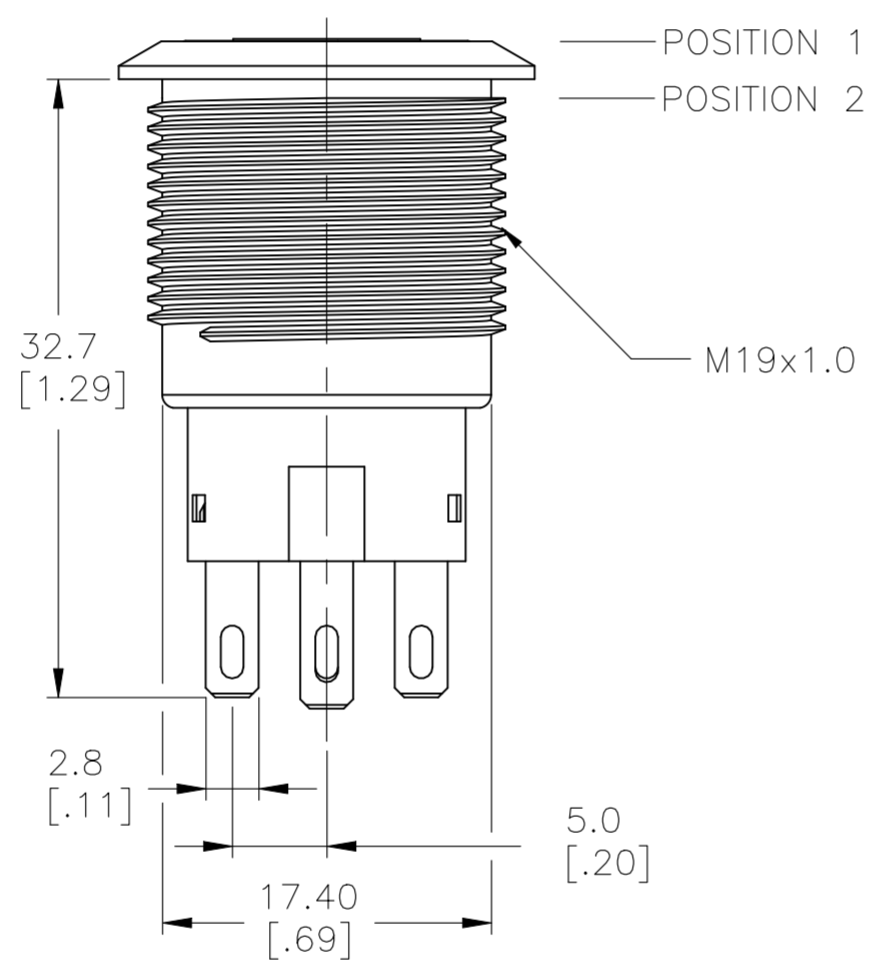
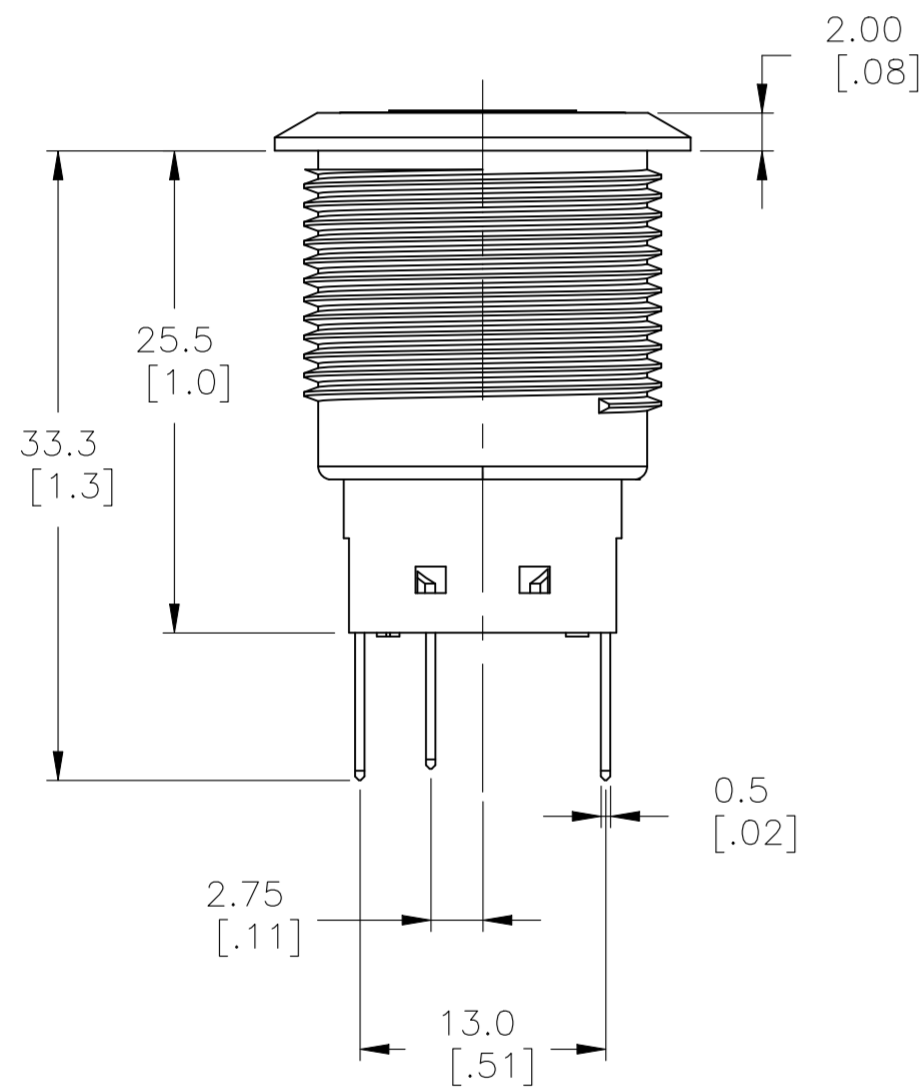
### SINGLE POLE SWITCH WITH DUAL COLOR LED's



PANEL CUTOUT  
 MAX.PANEL THICKNESS: 10.00[.394]



ASSEMBLED VIEW



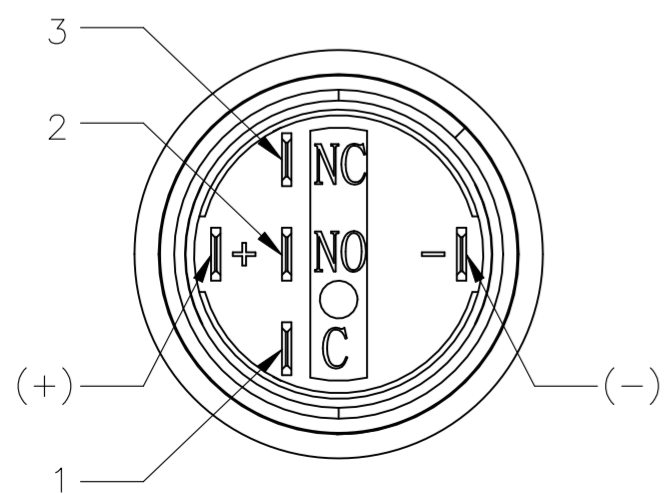
EXPLODED VIEW

**SPECIFICATION:**  
 CONTACT RATING: SILVER; 3A @ 250VAC RESISTIVE  
 GOLD; 0.4A @ 20VDC OR PEAK AC  
 INSULATION RESISTANCE: 1,000MΩ MIN AT 500VDC  
 DIELECTRIC STRENGTH: 2,000V RMS @ SEA LEVEL  
 CONTACT RESISTANCE: 50mΩ MAX @ 1A 12VDC (INITIAL VALUE), SOLDER TERMINALS  
 100mΩ MAX @ 1A 12VDC (INITIAL VALUES), FLYING LEADS.  
 ELECTRICAL LIFE CYCLES: 50,000 MAKE AND BREAK CYCLES AT FULL LOAD.  
 ACTUATION FORCE: SP: 2.5±1 N, DP: 3.5±1 N  
 ACTUATION TRAVEL: APPROXIMATELY 3.2mm  
 SEALED PER IP67, IK10  
 OPERATING TEMPERATURE: -20°C TO +55°C  
 MECHANICAL LIFECYCLES: MOMENTARY; 1,000,000 CYCLES  
 LOCKING; 500,000 CYCLES  
 HARDWARE TORQUE: 5-14 N-m.

**MATERIALS**

BUSHING: STAINLESS STEEL,  
 BASE: PBT (UL 94-V0), PC (UL 94-V2),  
 ACTUATOR: STAINLESS STEEL, PC  
 O-RING: SILICONE,  
 TERMINAL/CONTACT: COPPER BASE, SILVER/GOLD PLATED,  
 HEX NUT: BRASS BASE, NICKEL PLATED,  
 WIRE:UL3385.  
 INNER ASSEMBLY: POM/PA66  
 SPRING: SPRING STEEL  
 SEALING: SILICONE

1. ALL MATERIAL AND FINISHES SHALL COMPLY WITH EU DIRECTIVE 2002/95/EC OF 27JAN2003(ROHS).



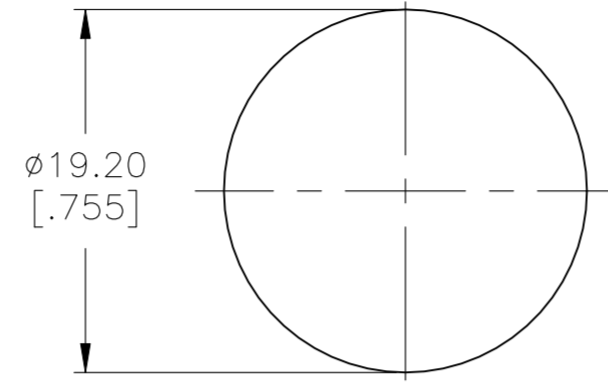
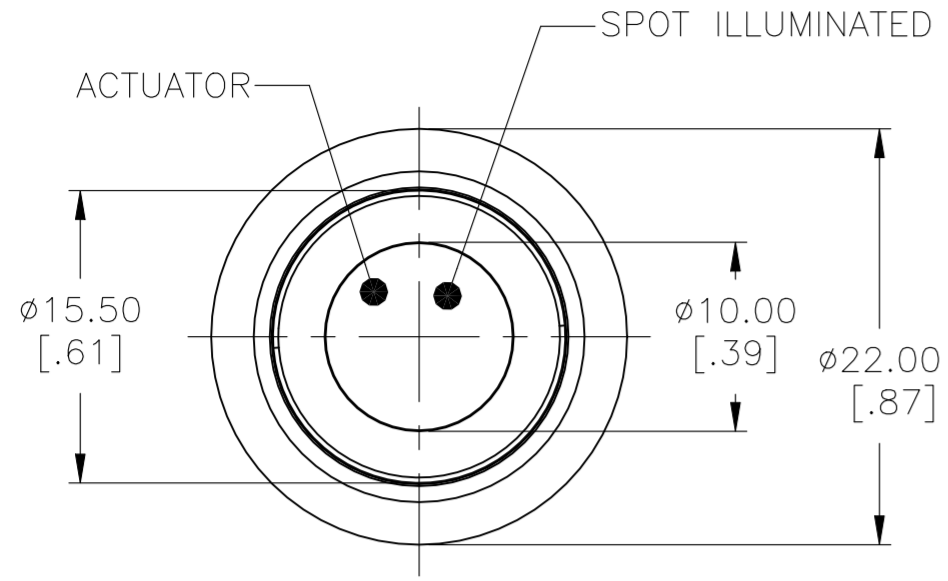
THIS DRAWING IS A CONTROLLED DOCUMENT.		DWN 13MAR2017 SHIVAKUMAR S S																						
DIMENSIONS: mm [INCHES]		CHK 14MAR2017 SANJAY SHINDIKAR																						
TOLERANCES UNLESS OTHERWISE SPECIFIED:		APVD 14MAR2017 SANJAY SHINDIKAR	NAME ANTI-VANDAL SWITCH 19mm DUAL COLOR LED, SOLDER TERMINALS, FLYING LEADS, WITH SPOT LED																					
<table border="1"> <tr><td>0 PLC</td><td>±</td><td>-</td></tr> <tr><td>1 PLC</td><td>±</td><td>0.4[.016]</td></tr> <tr><td>2 PLC</td><td>±</td><td>0.25[.010]</td></tr> <tr><td>3 PLC</td><td>±</td><td>-</td></tr> <tr><td>4 PLC</td><td>±</td><td>-</td></tr> <tr><td>ANGLES</td><td>±</td><td>2°</td></tr> </table>		0 PLC	±	-	1 PLC	±	0.4[.016]	2 PLC	±	0.25[.010]	3 PLC	±	-	4 PLC	±	-	ANGLES	±	2°	PRODUCT SPEC	SIZE	CAGE CODE	DRAWING NO	RESTRICTED TO
0 PLC	±	-																						
1 PLC	±	0.4[.016]																						
2 PLC	±	0.25[.010]																						
3 PLC	±	-																						
4 PLC	±	-																						
ANGLES	±	2°																						
MATERIAL		APPLICATION SPEC	A2	00779	C=2316542	-																		
FINISH		WEIGHT	CUSTOMER DRAWING		SCALE 1:1	SHEET 1 of 5	REV A1																	

2316542

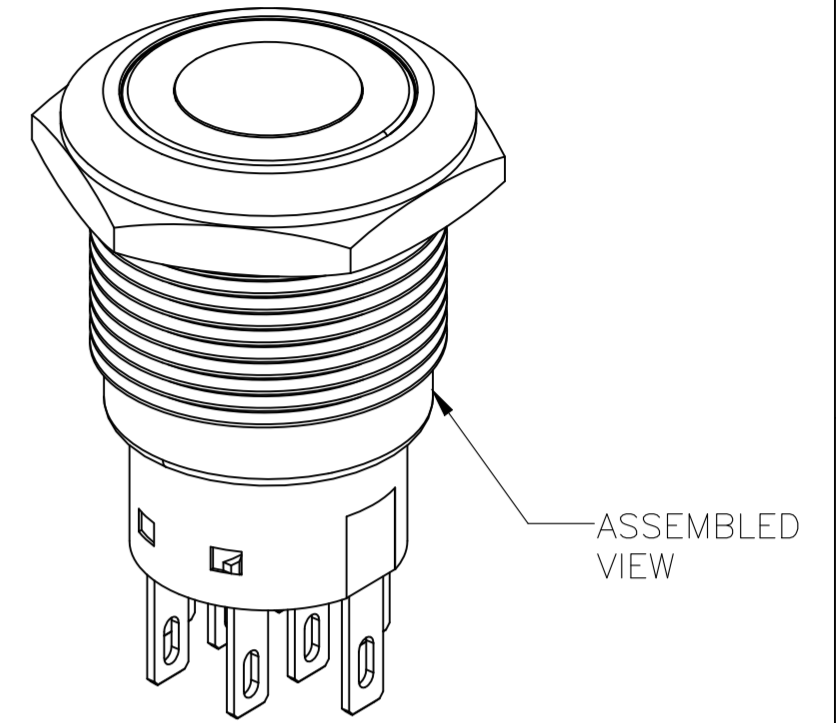
THIS DRAWING IS UNPUBLISHED. RELEASED FOR PUBLICATION  
 © COPYRIGHT - TE Connectivity ALL RIGHTS RESERVED.

REVISIONS					
P	LTR	DESCRIPTION	DATE	DWN	APVD
-	-	SEE SHEET 1	-	-	-

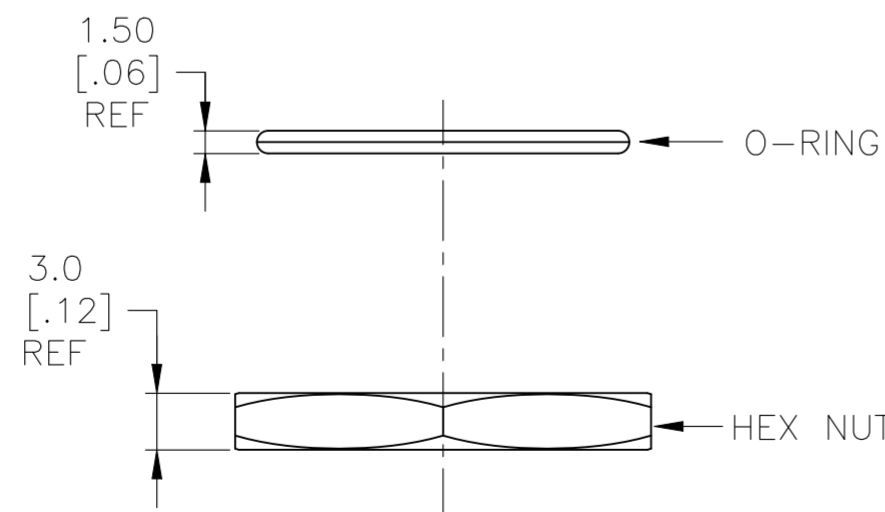
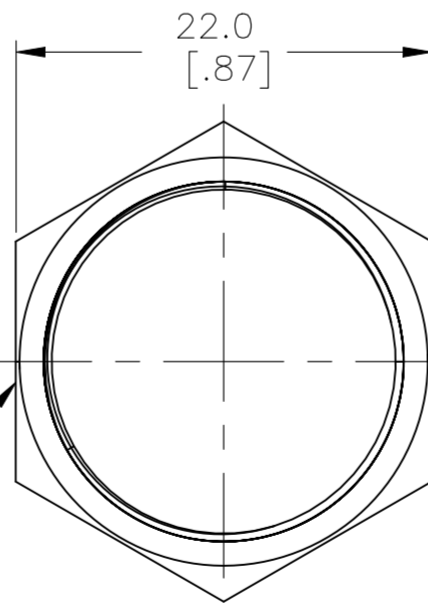
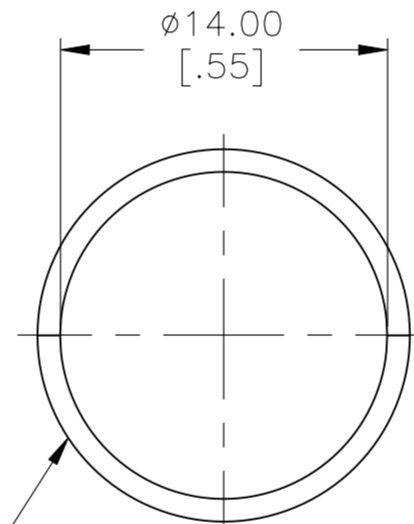
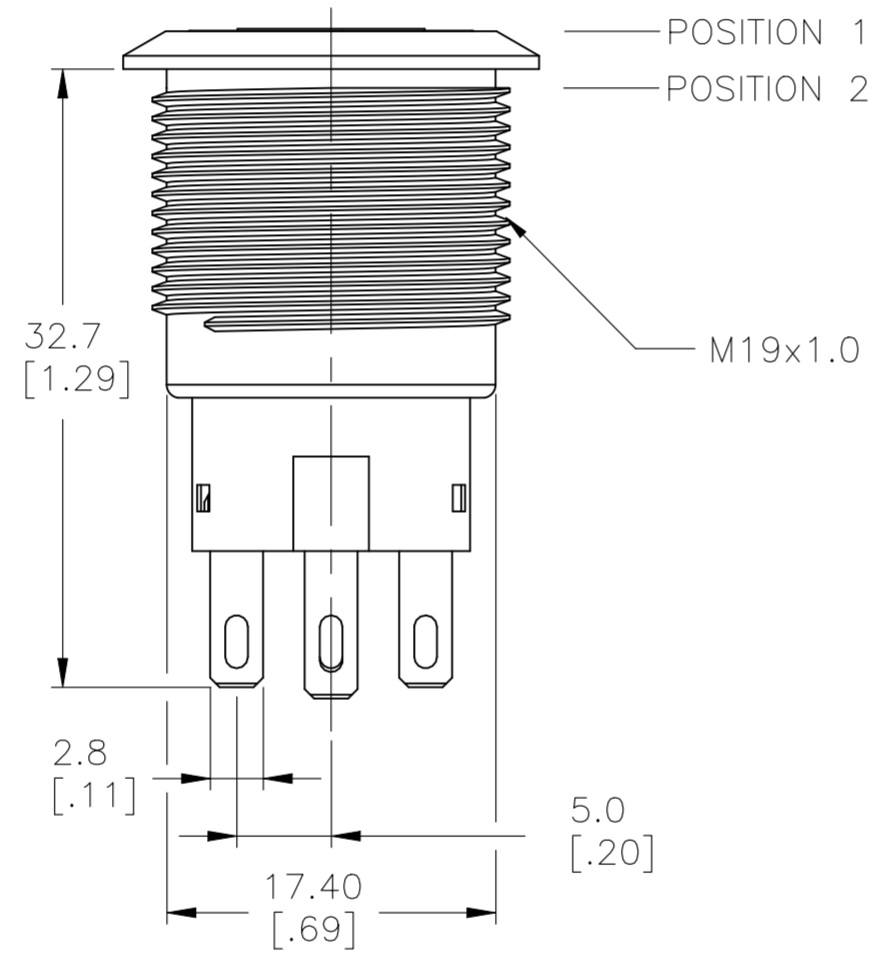
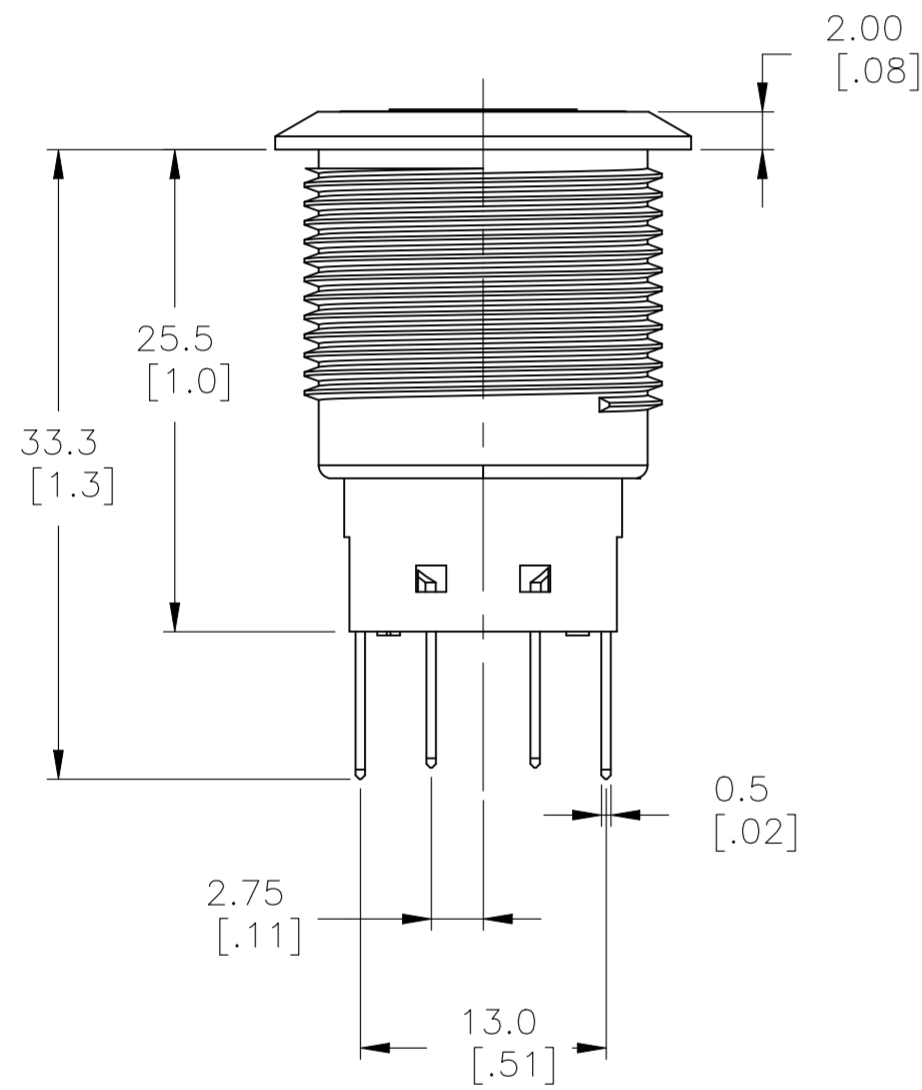
### DOUBLE POLE SWITCH WITH DUAL COLOR LED'S



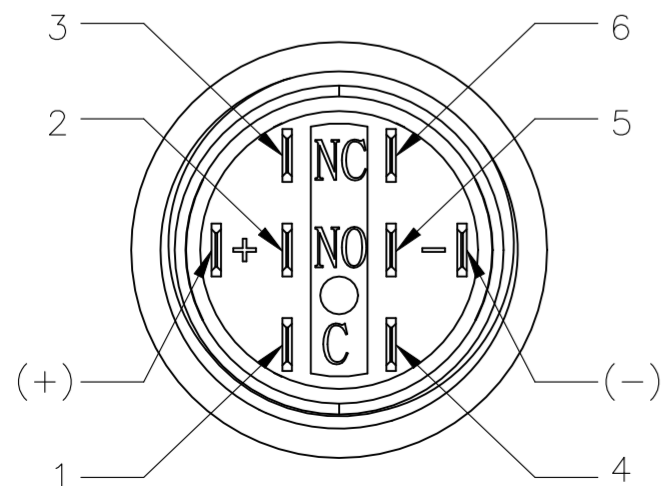
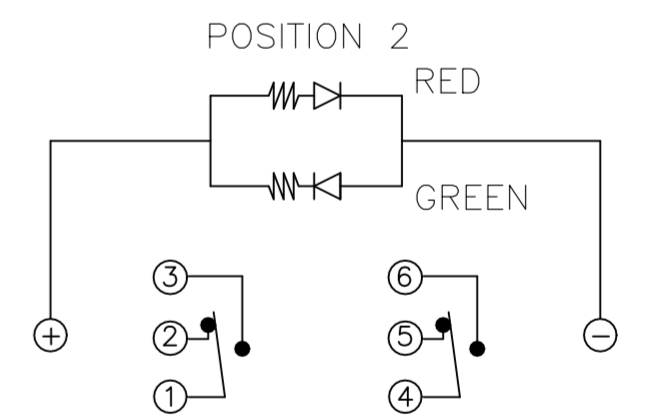
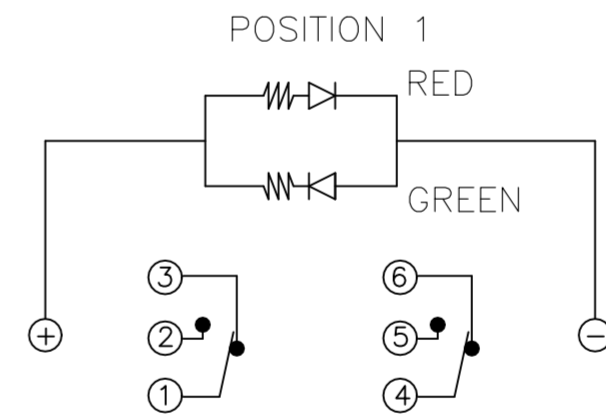
PANEL CUTOUT  
 MAX.PANEL THICKNESS: 10.00[.394]



ASSEMBLED VIEW



EXPLODED VIEW

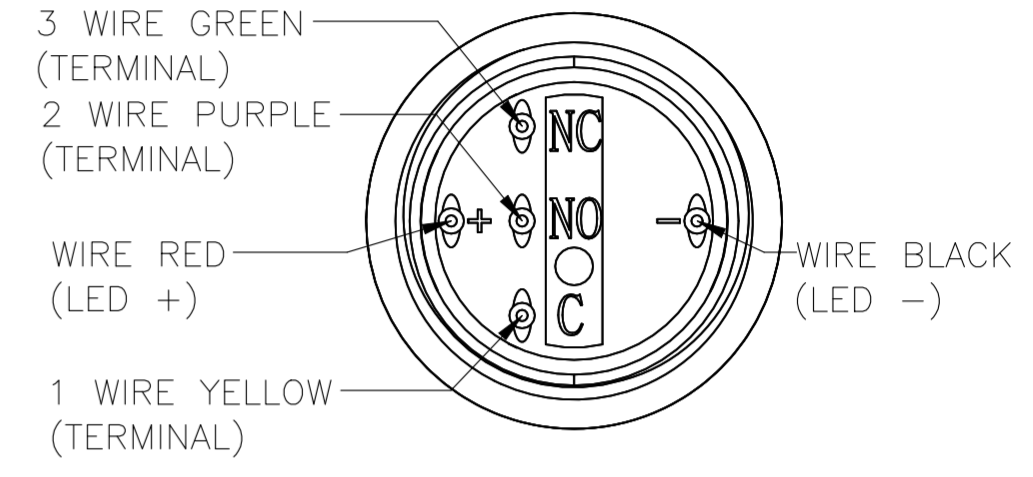
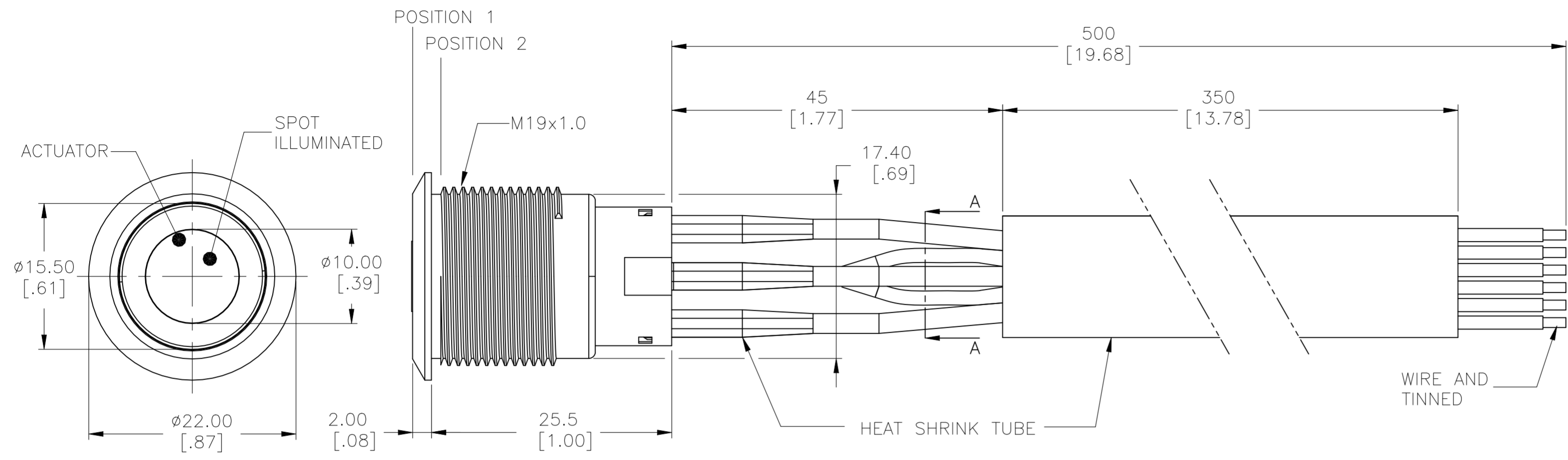


THIS DRAWING IS A CONTROLLED DOCUMENT.		DWN 13MAR2017 SHIVAKUMAR S S		
DIMENSIONS: mm [INCHES]		CHK 14MAR2017 SANJAY SHINDIKAR		
TOLERANCES UNLESS OTHERWISE SPECIFIED:		APVD 14MAR2017 SANJAY SHINDIKAR	NAME	
0 PLC ± -		PRODUCT SPEC	ANTI-VANDAL SWITCH 19mm DUAL COLOR LED, SOLDER TERMINALS, FLYING LEADS, WITH SPOT LED	
1 PLC ± 0.4[.016]		APPLICATION SPEC	-	
2 PLC ± 0.25[.010]		WEIGHT	-	
3 PLC ± -		CUSTOMER DRAWING	-	
4 PLC ± -		SCALE 1:1	SHEET 2 of 5	
ANGLES ± 2°		FINISH	REV A1	
MATERIAL		RESTRICTED TO	-	

THIS DRAWING IS UNPUBLISHED. RELEASED FOR PUBLICATION  
 © COPYRIGHT - TE Connectivity ALL RIGHTS RESERVED.

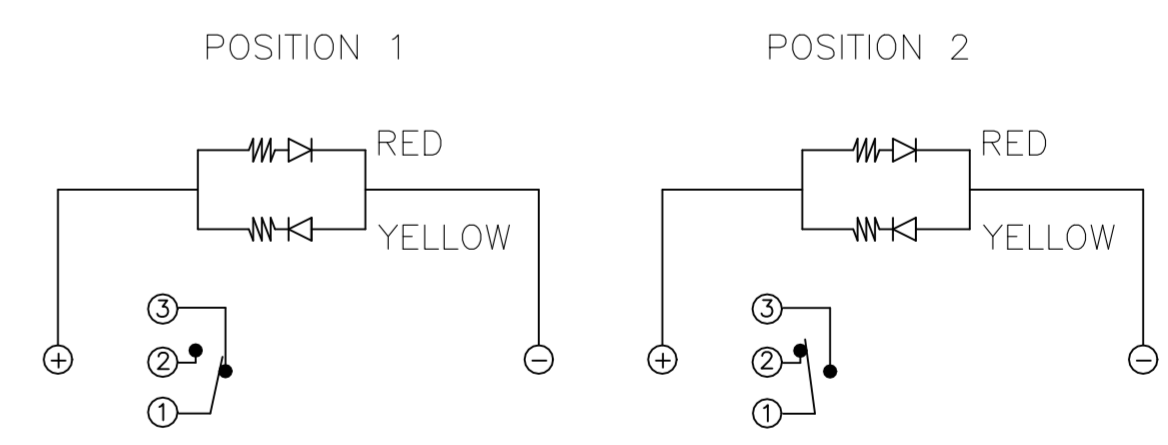
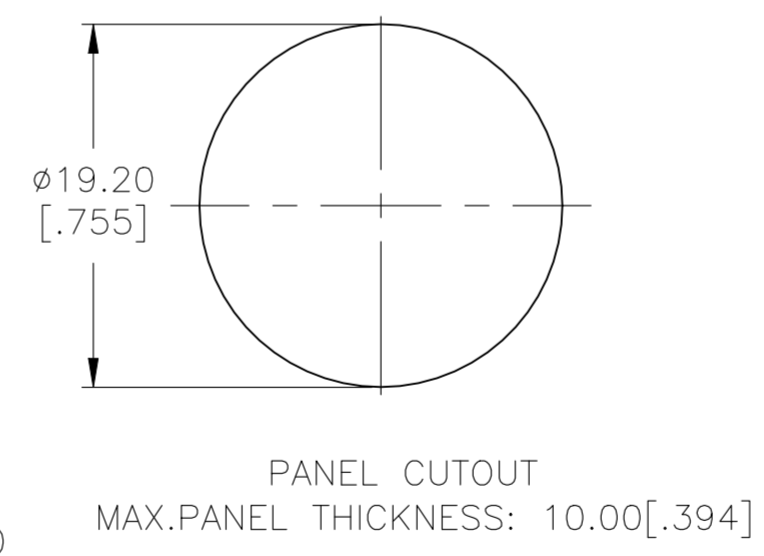
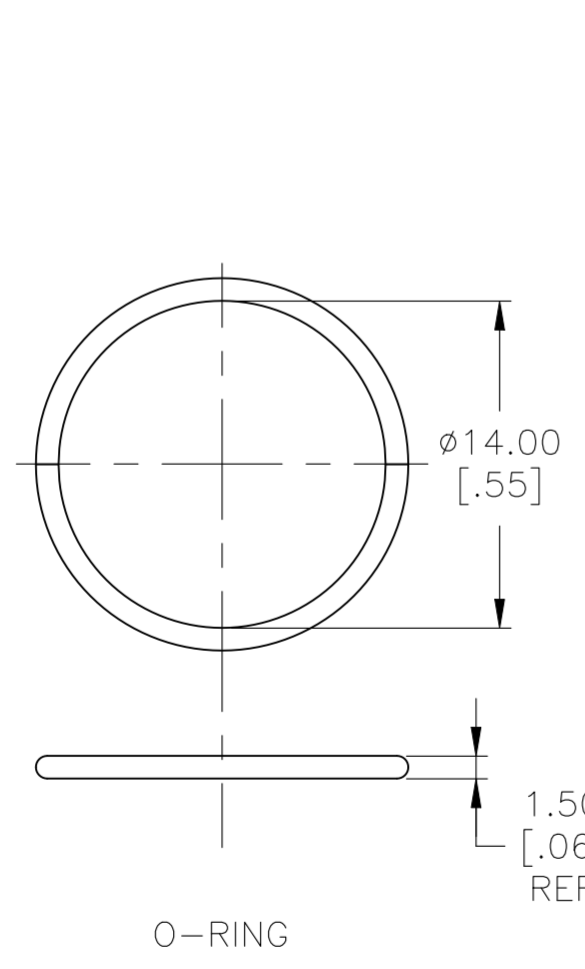
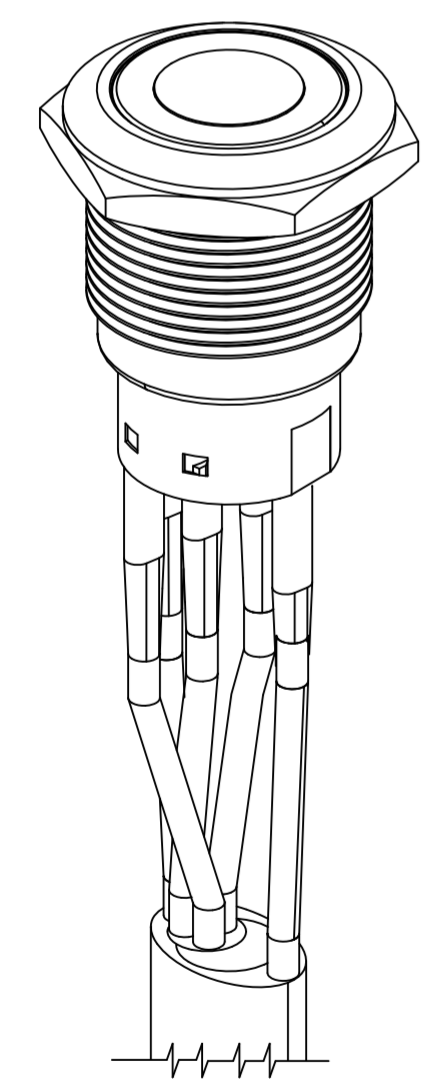
# SINGLE POLE SWITCH WITH DUAL COLOR LED'S AND FLYING LEADS

REVISIONS					
P	LTR	DESCRIPTION	DATE	DWN	APVD
-	-	SEE SHEET 1	-	-	-



SECTION A-A

WIRE=18AWG, 300V(BLACK/YELLOW/GREEN/RED/PURPLE)

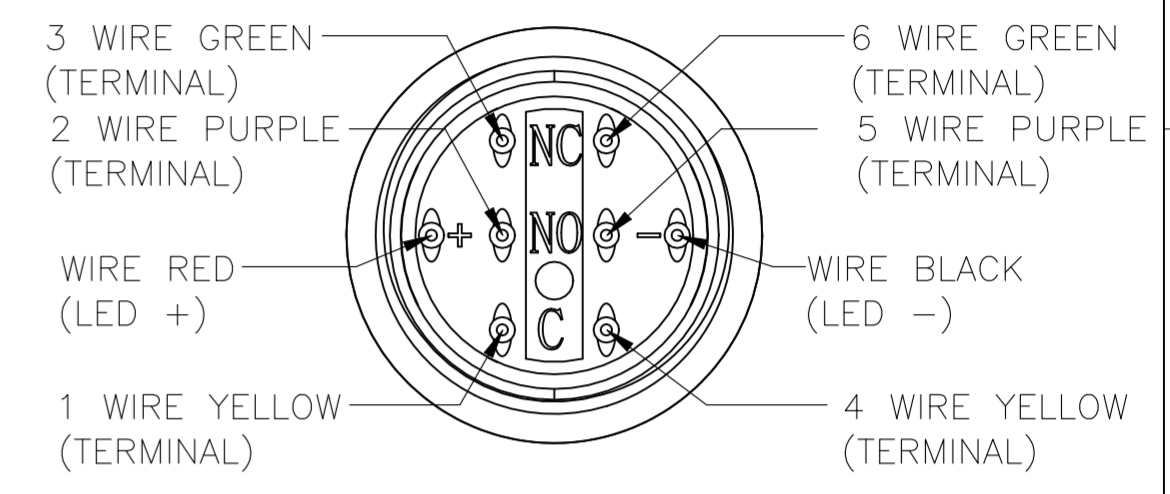
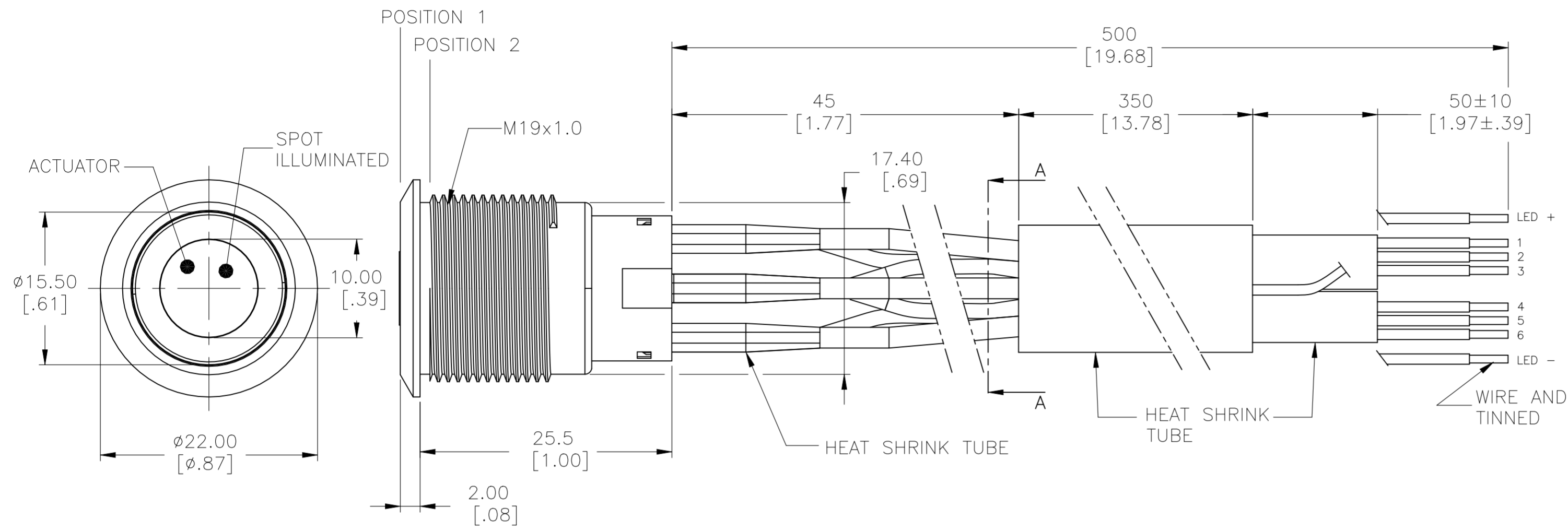


THIS DRAWING IS A CONTROLLED DOCUMENT.		DWN 13MAR2017 SHIVAKUMAR S S	<b>TE</b> TE Connectivity		
DIMENSIONS: mm [INCHES]		CHK 14MAR2017 SANJAY SHINDIKAR			
TOLERANCES UNLESS OTHERWISE SPECIFIED:		APVD 14MAR2017 SANJAY SHINDIKAR	NAME ANTI-VANDAL SWITCH 19mm DUAL COLOR LED, SOLDER TERMINALS, FLYING LEADS, WITH SPOT LED		
0 PLC ± - 1 PLC ± 0.4[.016] 2 PLC ± 0.25[.010] 3 PLC ± - 4 PLC ± - ANGLES ± 2°		PRODUCT SPEC - APPLICATION SPEC -	SIZE A2	CAGE CODE 00779	DRAWING NO C=2316542
MATERIAL - FINISH -		WEIGHT -	RESTRICTED TO -		
CUSTOMER DRAWING			SCALE 1:1	SHEET 3 OF 5	REV A1

THIS DRAWING IS UNPUBLISHED. RELEASED FOR PUBLICATION  
 © COPYRIGHT - TE Connectivity ALL RIGHTS RESERVED.

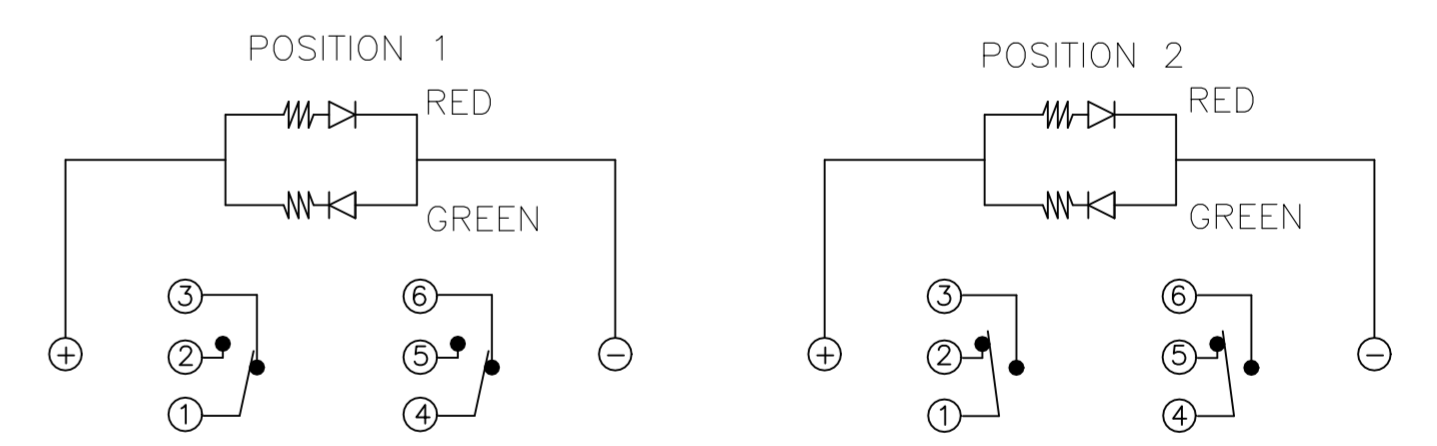
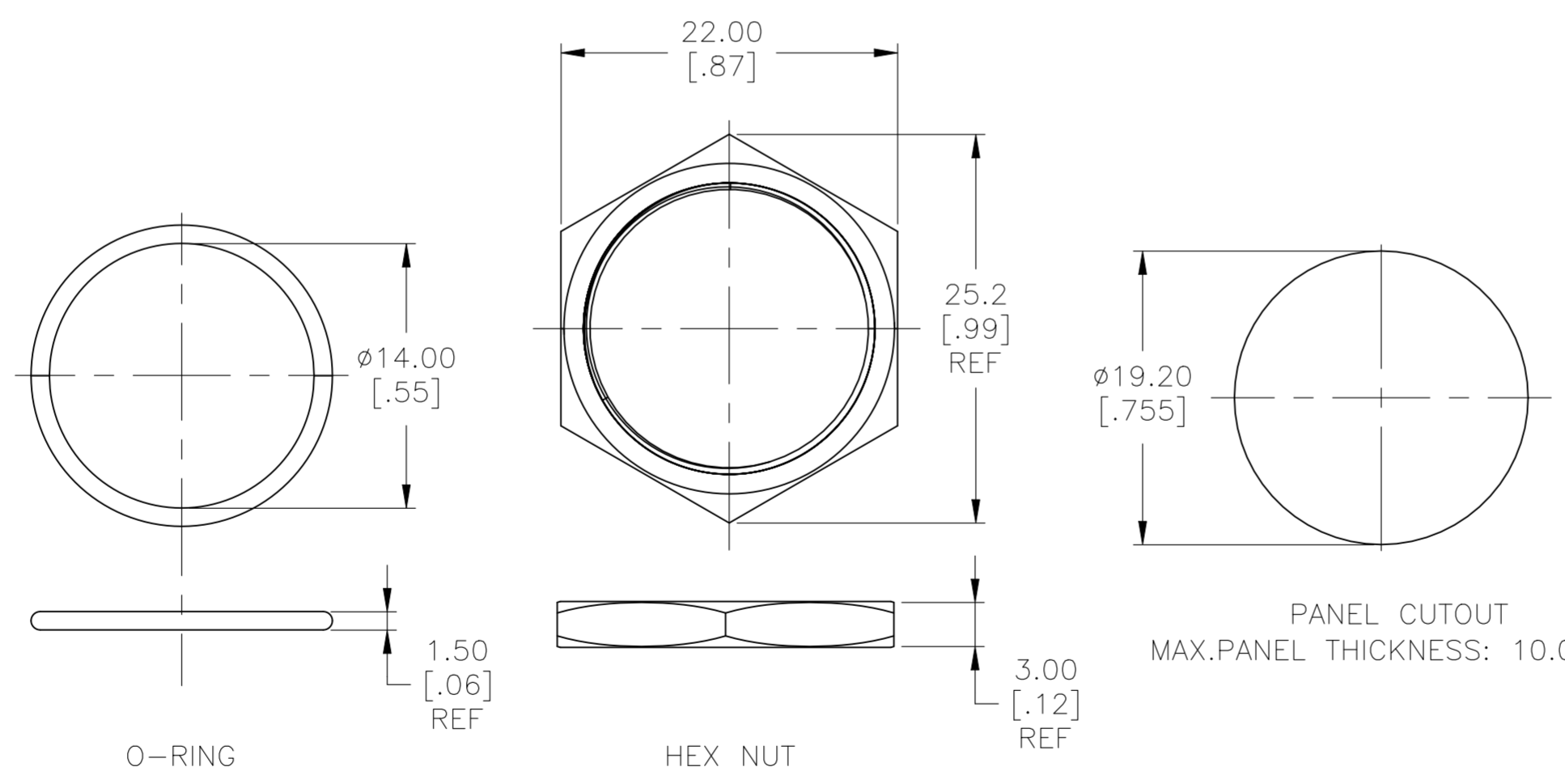
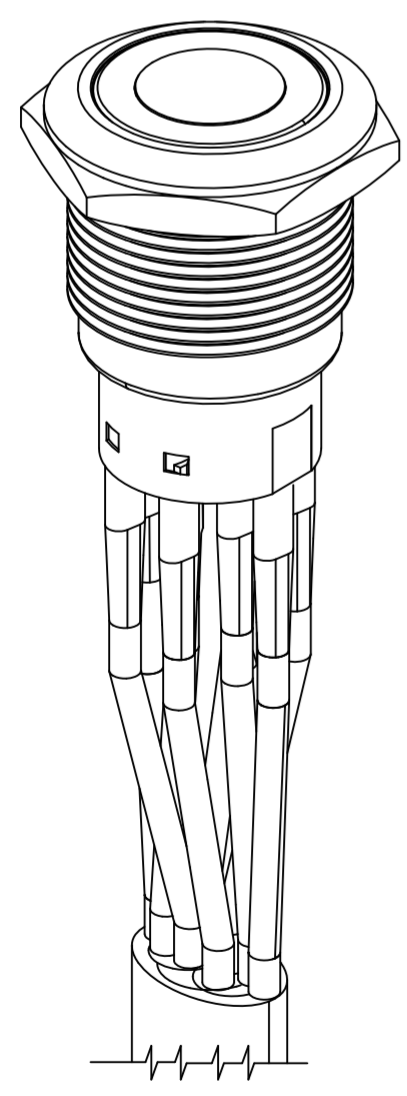
REVISIONS					
P	LTR	DESCRIPTION	DATE	DWN	APVD
-	-	SEE SHEET 1	-	-	-

# DOUBLE POLE SWITCH WITH DUAL COLOR LED'S AND FLYING LEADS



SECTION A-A

WIRE=18AWG, 300V(BLACK/YELLOW/GREEN/RED/PURPLE)



THIS DRAWING IS A CONTROLLED DOCUMENT.		DWN SHIVAKUMAR S S 13MAR2017		
DIMENSIONS: mm [INCHES]		CHK SANJAY SHINDIKAR 14MAR2017		
TOLERANCES UNLESS OTHERWISE SPECIFIED:		APVD SANJAY SHINDIKAR 14MAR2017	NAME ANTI-VANDAL SWITCH 19mm DUAL COLOR LED, SOLDER TERMINALS, FLYING LEADS, WITH SPOT LED	
0 PLC ± -		PRODUCT SPEC	SIZE A2	
1 PLC ± 0.4[.016]		APPLICATION SPEC	CAGE CODE 00779	DRAWING NO C=2316542
2 PLC ± 0.25[.010]		WEIGHT	RESTRICTED TO	
3 PLC ± -		MATERIAL	SCALE 1:1	
4 PLC ± -		FINISH	SHEET 4 of 5	
ANGLES ± 2°		CUSTOMER DRAWING	REV A1	

THIS DRAWING IS UNPUBLISHED. RELEASED FOR PUBLICATION  
 © COPYRIGHT - TE Connectivity ALL RIGHTS RESERVED.

REVISIONS					
P	LTR	DESCRIPTION	DATE	DWN	APVD
-	-	SEE SHEET 1	-	-	-

CONTACT PLATING	LIGHT TYPE	TERMINAL OPTION	POLE/THROW	LED COLOR	LED VOLTAGE	TE DESCRIPTIVE PART NUMBER	TE PART NUMBER
SILVER	SPOT RING	FLYING LEAD TERMINALS	DOUBLE POLE - MOMENTARY	RED & YELLOW	24	AV1920DG24T5Q04	4-2316542-7
					12	AV1920DG12T5Q04	4-2316542-6
				RED & BLUE	24	AV1920DB24T5Q04	4-2316542-5
					12	AV1920DB12T5Q04	4-2316542-4
				RED & GREEN	24	AV1920DA24T5Q04	4-2316542-3
					12	AV1920DA12T5Q04	4-2316542-2
			SINGLE POLE - LOCKING	RED & YELLOW	24	AV1911DG24T5Q04	4-2316542-1
					12	AV1911DG12T5Q04	4-2316542-0
				RED & BLUE	24	AV1911DB24T5Q04	3-2316542-9
					12	AV1911DB12T5Q04	3-2316542-8
				RED & GREEN	24	AV1911DA24T5Q04	3-2316542-7
					12	AV1911DA12T5Q04	3-2316542-6
		SOLDER TERMINALS	DOUBLE POLE - MOMENTARY	RED & YELLOW	24	AV1910DG24T5Q04	3-2316542-5
					12	AV1910DG12T5Q04	3-2316542-4
				RED & BLUE	24	AV1910DB24T5Q04	3-2316542-3
					12	AV1910DB12T5Q04	3-2316542-2
				RED & GREEN	24	AV1910DA24T5Q04	3-2316542-1
					12	AV1910DA12T5Q04	3-2316542-0
			SINGLE POLE - LOCKING	RED & YELLOW	24	AV1920DG24Q04	1-2316542-8
					12	AV1920DG12Q04	1-2316542-7
				RED & BLUE	24	AV1920DB24Q04	1-2316542-6
					12	AV1920DB12Q04	1-2316542-5
				RED & GREEN	24	AV1920DA24Q04	1-2316542-4
					12	AV1920DA12Q04	1-2316542-3
SINGLE POLE - MOMENTARY	RED & YELLOW	24	AV1911DG24Q04	1-2316542-2			
		12	AV1911DG12Q04	1-2316542-1			
	RED & BLUE	24	AV1911DB24Q04	1-2316542-0			
		12	AV1911DB12Q04	2316542-9			
	RED & GREEN	24	AV1911DA24Q04	2316542-8			
		12	AV1911DA12Q04	2316542-7			
SINGLE POLE - MOMENTARY	RED & YELLOW	24	AV1910DG24Q04	2316542-6			
		12	AV1910DG12Q04	2316542-5			
	RED & BLUE	24	AV1910DB24Q04	2316542-4			
		12	AV1910DB12Q04	2316542-3			
	RED & GREEN	24	AV1910DA24Q04	2316542-2			
		12	AV1910DA12Q04	2316542-1			

D

D

C

C

B

B

A

A

THIS DRAWING IS A CONTROLLED DOCUMENT.		DWN 13MAR2017 SHIVAKUMAR S S	<b>TE</b> TE Connectivity	
DIMENSIONS: mm [INCHES]		CHK 14MAR2017 SANJAY SHINDIKAR		
TOLERANCES UNLESS OTHERWISE SPECIFIED:		APVD 14MAR2017 SANJAY SHINDIKAR	NAME ANTI-VANDAL SWITCH 19mm DUAL COLOR LED, SOLDER TERMINALS, FLYING LEADS, WITH SPOT LED	
0 PLC ± - 1 PLC ± 0.4[.016] 2 PLC ± 0.25[.010] 3 PLC ± - 4 PLC ± - ANGLES ± 2°		PRODUCT SPEC -	APPLICATION SPEC -	
MATERIAL -	FINISH -	WEIGHT -	SIZE A2	CAGE CODE 00779
CUSTOMER DRAWING			DRAWING NO C=2316542	RESTRICTED TO -
			SCALE 1:1	SHEET 5 of 5
			REV A1	