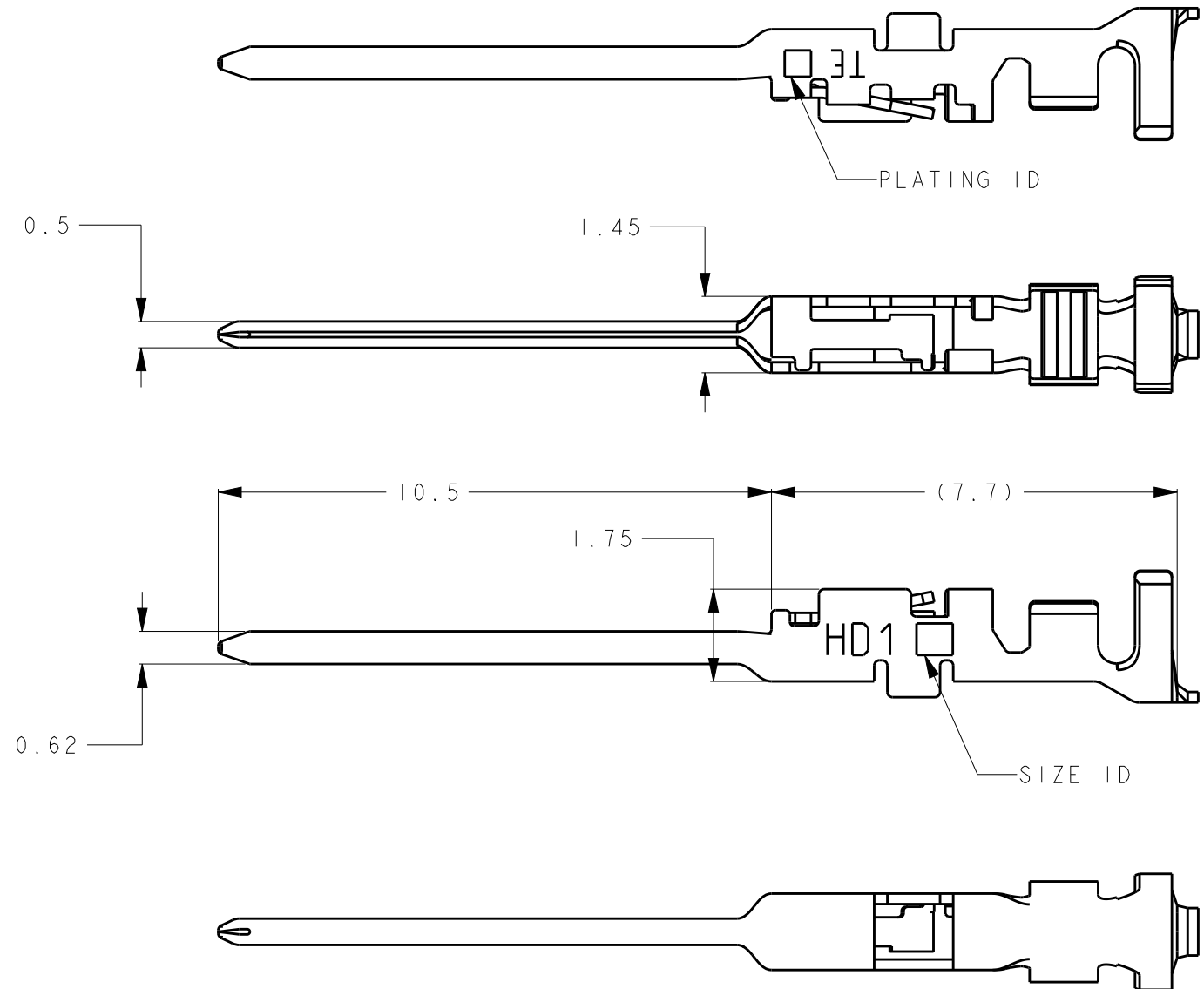


THIS DRAWING IS UNPUBLISHED. RELEASED FOR PUBLICATION 20
 © COPYRIGHT 20 BY - ALL RIGHTS RESERVED.


REVISIONS					
P	LTR	DESCRIPTION	DATE	DWN	APVD
	A	RELEASED	30NOV2017	RI	EI



1. TECHNICAL CHARACTERISTICS:
 CONTACT MATERIAL: Cu ALLOY
 SURFACE PLATING:
 GOLD PLATING: 0.38μmMIN

0.1g	2L	2	1.4-2.2	AWG22-18, 0.34-0.87SQmm	2L SIZE, GOLD 0.38μm	2316669-4
0.1g	L	2	1.08-1.9	AWG28-22, 0.08-0.37SQmm	L SIZE, GOLD 0.38μm	2316669-3
0.1g	M	2	1.08-1.6	AWG28-22, 0.08-0.37SQmm	M SIZE, GOLD 0.38μm	2316669-2
0.1g	S	2	0.6-1.2	AWG30-28, 0.05-0.1SQmm	S SIZE, GOLD 0.38μm	2316669-1
NET WEIGHT	SIZE ID	PLATING ID	INSUL. RANGE	WIRE RANGE	DESCRIPTION	PART NO

THIS DRAWING IS A CONTROLLED DOCUMENT.

DWN T. SHIMOYASU 28MAR2017	 TE Connectivity NAME CONTACT, TAB, HD1 HDC DYNAMIC -						
CHK E. TAKEMASA 28MAR2017							
APVD N. YAMASAKI 28MAR2017							
PRODUCT SPEC 108-140152							
MATERIAL -	FINISH -	APPLICATION SPEC 114-78021	WEIGHT -	SIZE A3	CAGE CODE -	DRAWING NO C-2316669	RESTRICTED TO -
CUSTOMER DRAWING				SCALE 8:1	SHEET 1	OF 1	REV A