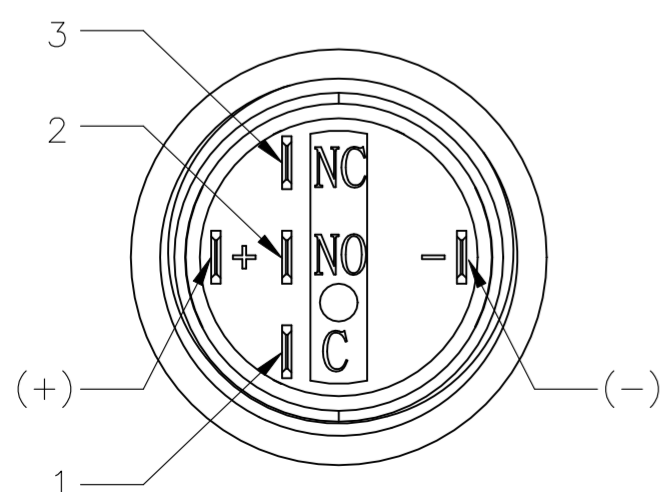
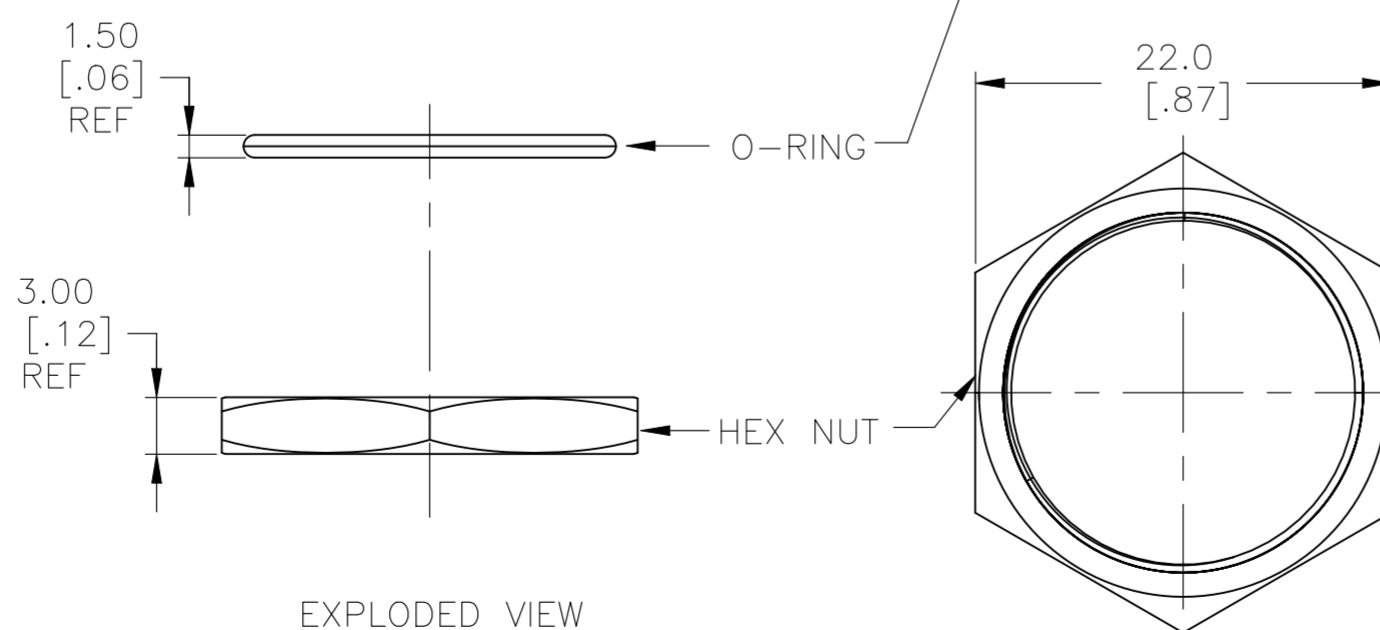
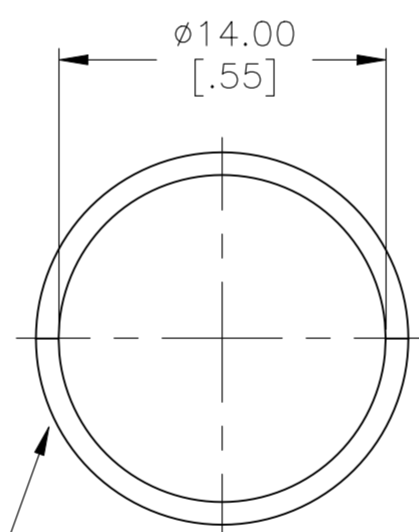
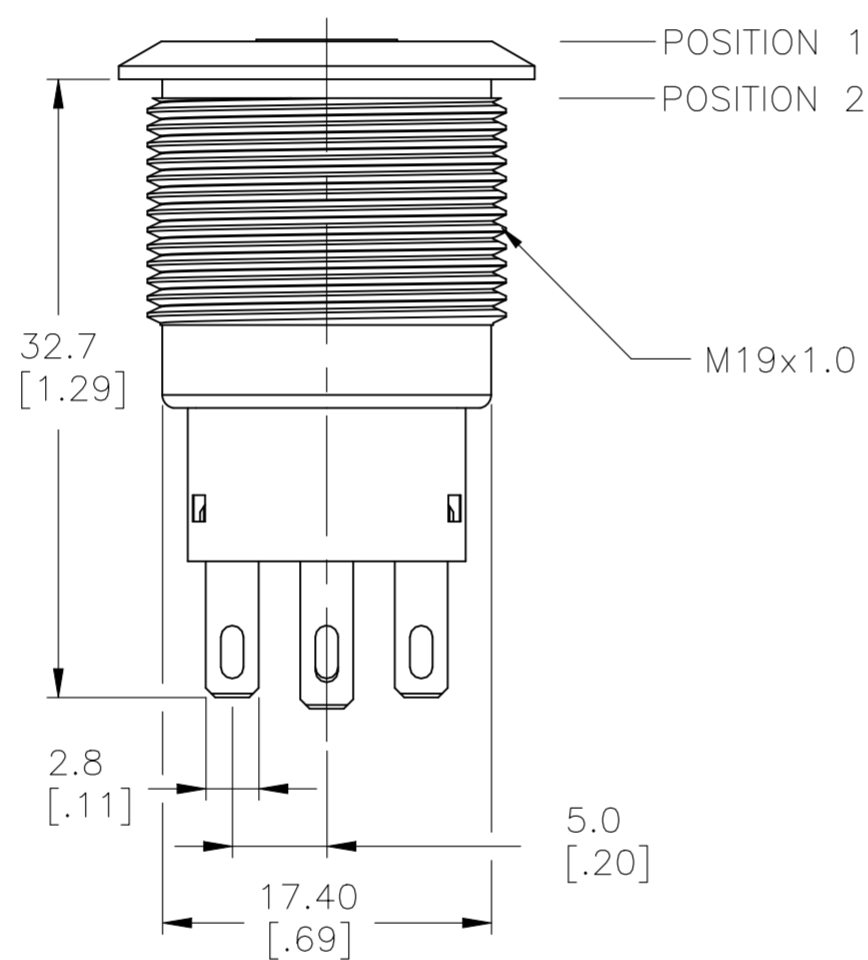
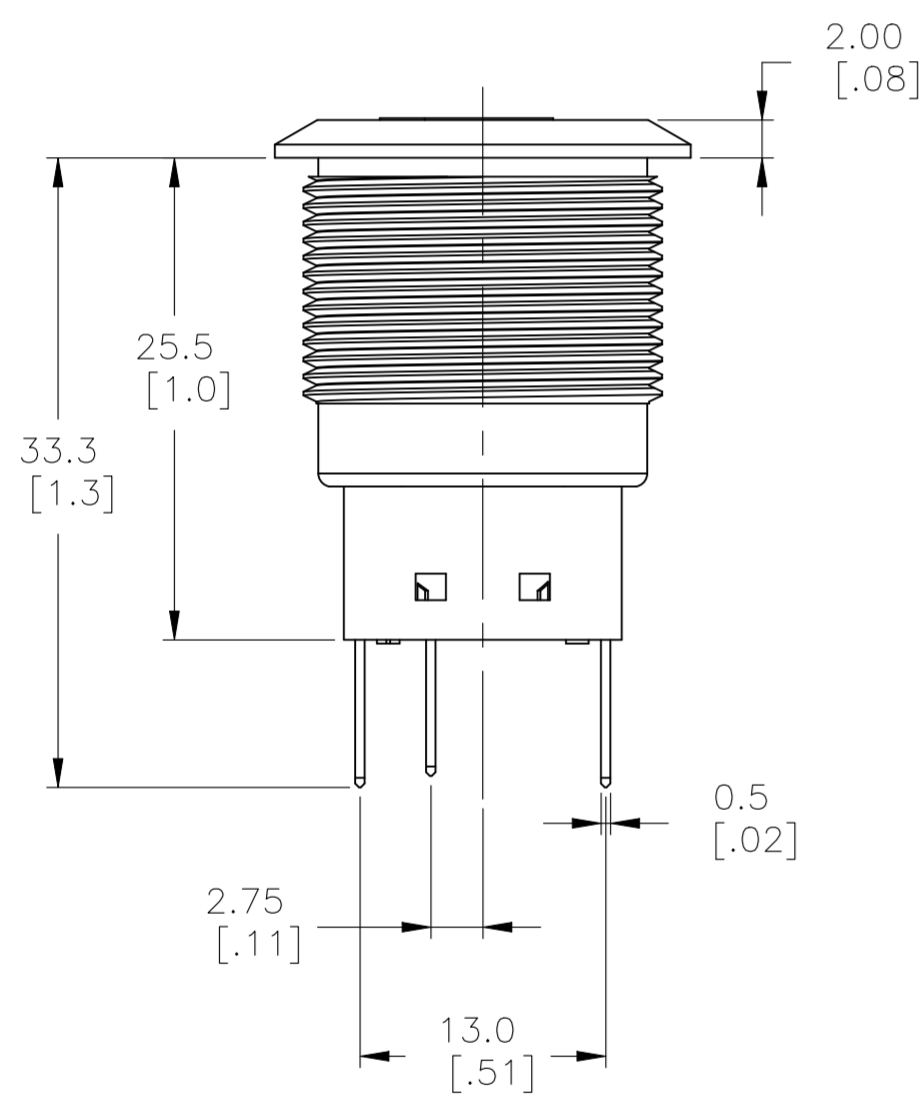
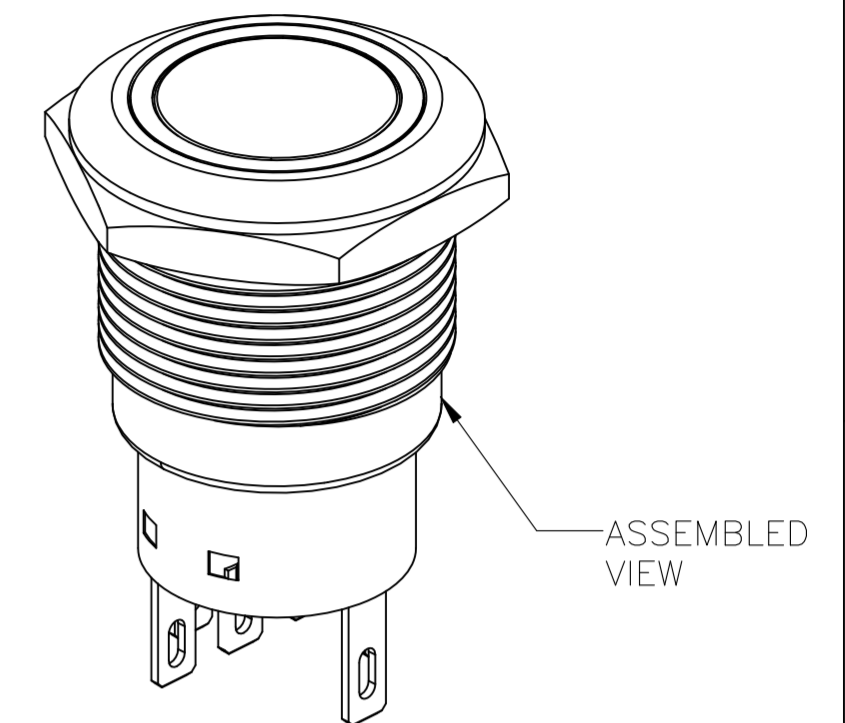
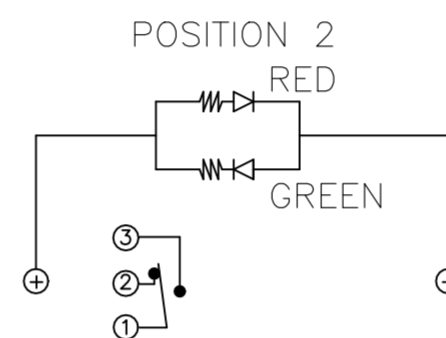
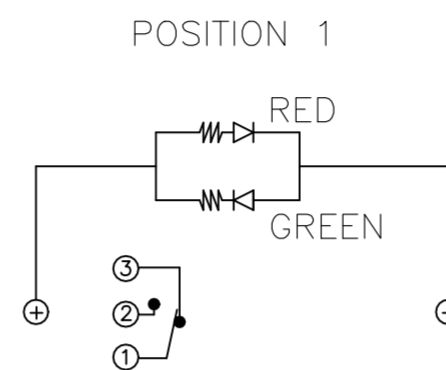
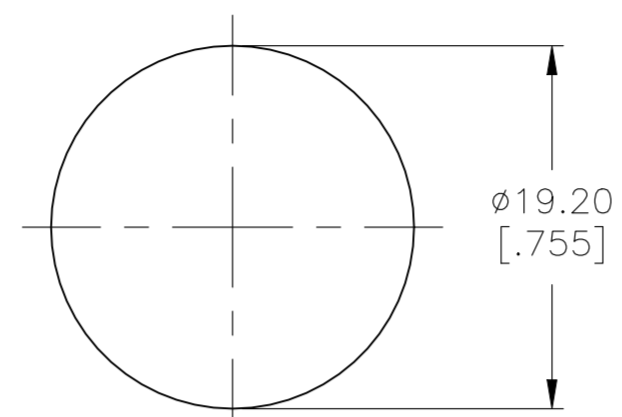
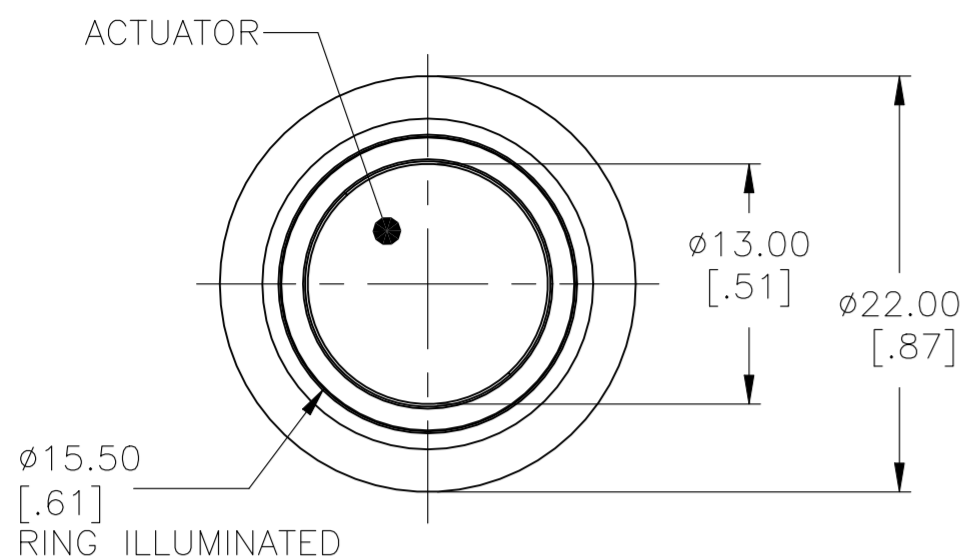


THIS DRAWING IS UNPUBLISHED. RELEASED FOR PUBLICATION
 © COPYRIGHT - By - ALL RIGHTS RESERVED.

REVISIONS					
P	LTR	DESCRIPTION	DATE	DWN	APVD
A1		ECO-21-006709	18JUN2021	RK	AS

SINGLE POLE SWITCH WITH DUAL COLOR LED's



SPECIFICATION:
 CONTACT RATING: SILVER; 3A @ 250VAC RESISTIVE
 GOLD; 0.4A @ 20VDC OR PEAK AC
 INSULATION RESISTANCE: 1,000MΩ MIN AT 500VDC
 DIELECTRIC STRENGTH: 2,000V RMS @ SEA LEVEL
 CONTACT RESISTANCE: 50mΩ MAX @ 1A 12VDC (INITIAL VALUE), SOLDER TERMINALS
 100mΩ MAX @ 1A 12VDC (INITIAL VALUES), FLYING LEADS.
 ELECTRICAL LIFE CYCLES: 50,000 MAKE AND BREAK CYCLES AT FULL LOAD.
 ACTUATION FORCE: SP: 2.5±1 N, DP: 3.5±1 N
 ACTUATION TRAVEL: APPROXIMATELY 3.2MM
 SEALED PER IP67, IK10
 OPERATING TEMPERATURE: -20°C TO +55°C
 MECHANICAL LIFECYCLES: MOMENTARY; 1,000,000 CYCLES
 LOCKING; 500,000 CYCLES
 HARDWARE TORQUE: 5-14 N-m.

MATERIALS
 BUSHING: STAINLESS STEEL,
 BASE: PBT (UL 94-V0), PC (UL 94-V2),
 ACTUATOR: STAINLESS STEEL, PC
 O-RING: SILICONE,
 TERMINAL/CONTACT: COPPER BASE, SILVER/GOLD PLATED,
 HEX NUT: BRASS BASE, NICKEL PLATED,
 WIRE:UL3385.
 INNER ASSEMBLY: POM/PA66
 SPRING: SPRING STEEL
 SEALING: SILICONE

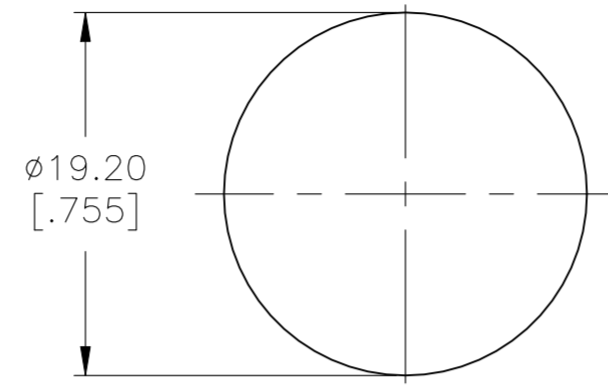
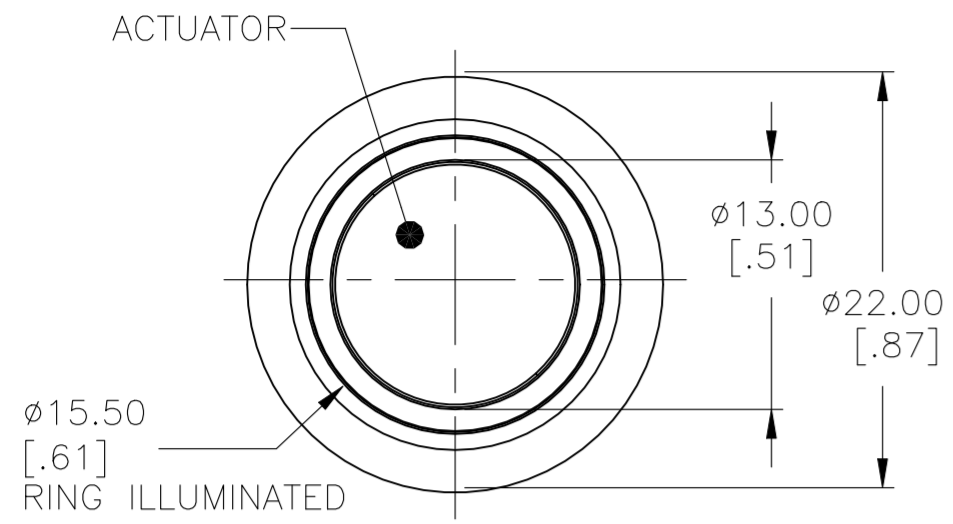
1. ALL MATERIAL AND FINISHES SHALL COMPLY WITH EU DIRECTIVE 2002/95/EC OF 27JAN2003(ROHS).

THIS DRAWING IS A CONTROLLED DOCUMENT.		DWN SHIVAKUMAR S S 13MAR2017		
DIMENSIONS: mm [INCHES]		CHK SANJAY SHINDIKAR 13MAR2017		
TOLERANCES UNLESS OTHERWISE SPECIFIED:		APVD SANJAY SHINDIKAR 13MAR2017	NAME ANTI-VANDAL SWITCH 19mm, DUAL COLOR LED SOLDER TERMINALS, FLYING LEADS, WITH FIXED RING	
0 PLC ± - 1 PLC ± 0.4[.016] 2 PLC ± 0.25[.010] 3 PLC ± - 4 PLC ± - ANGLES ± 2°		PRODUCT SPEC	RESTRICTED TO	
MATERIAL		APPLICATION SPEC	SIZE A2	CAGE CODE 00779
FINISH		WEIGHT	DRAWING NO C=2317404	SCALE 1:1
		CUSTOMER DRAWING	SHEET 1 of 5	REV A1

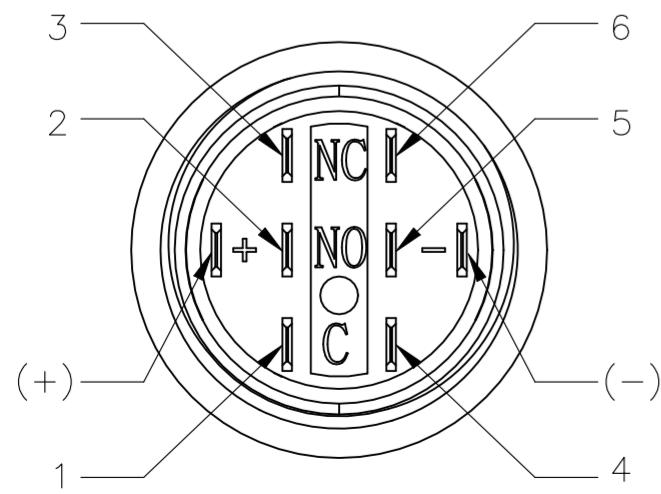
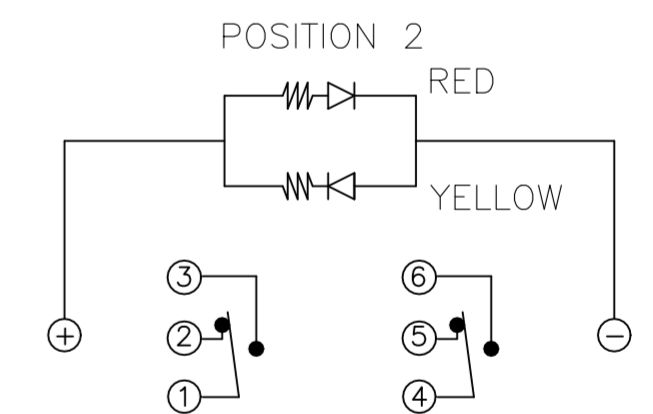
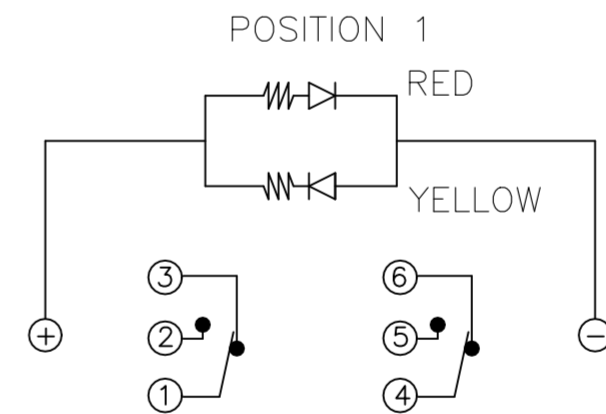
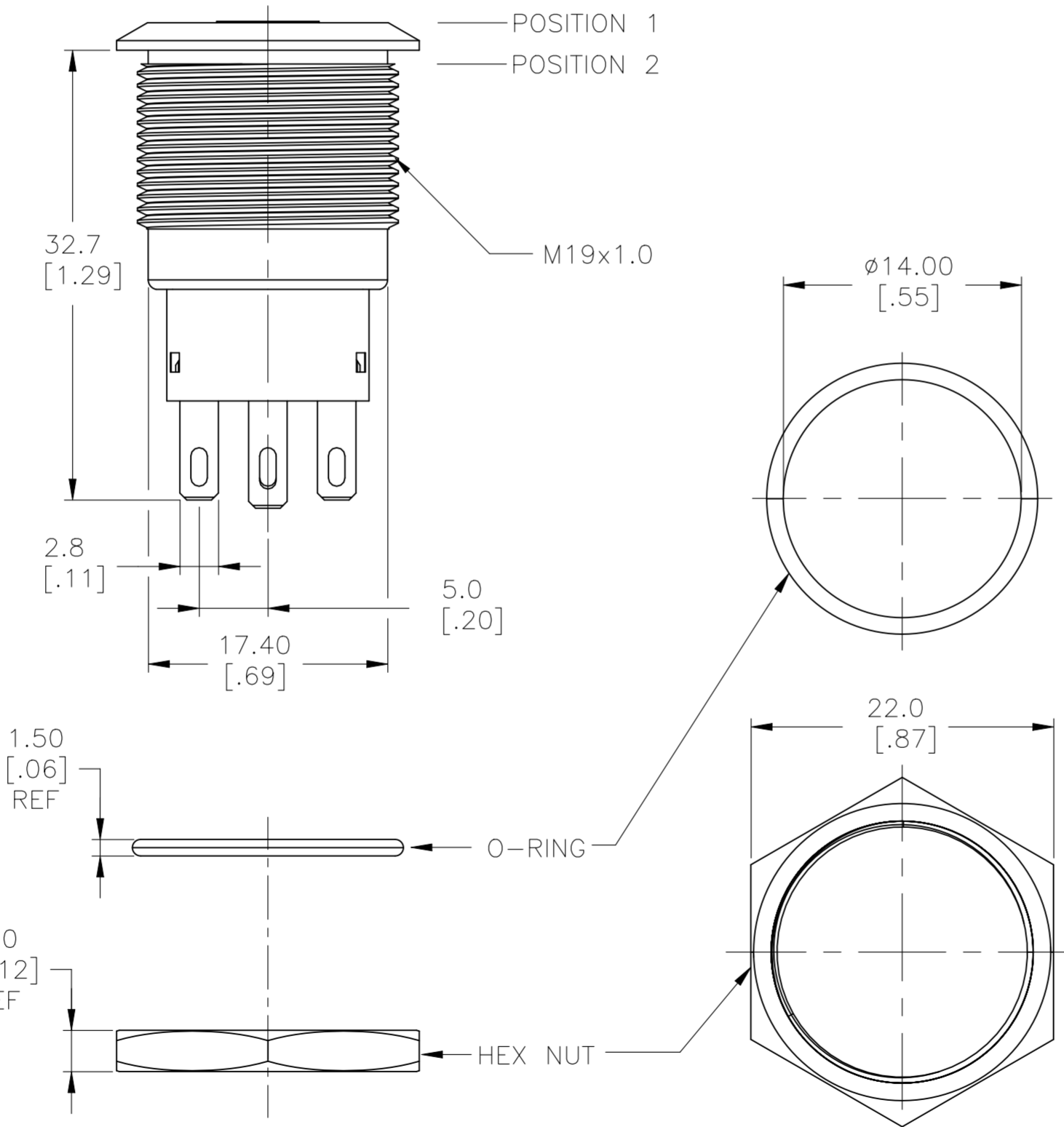
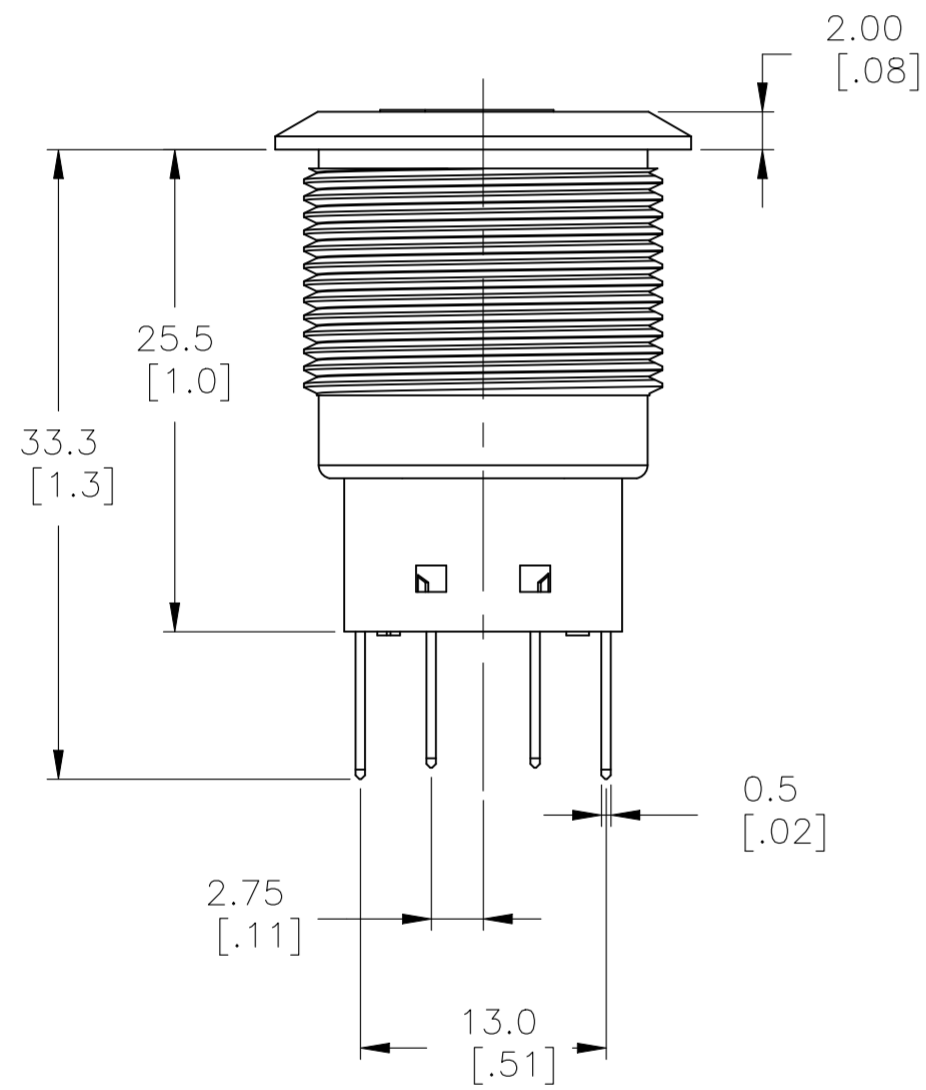
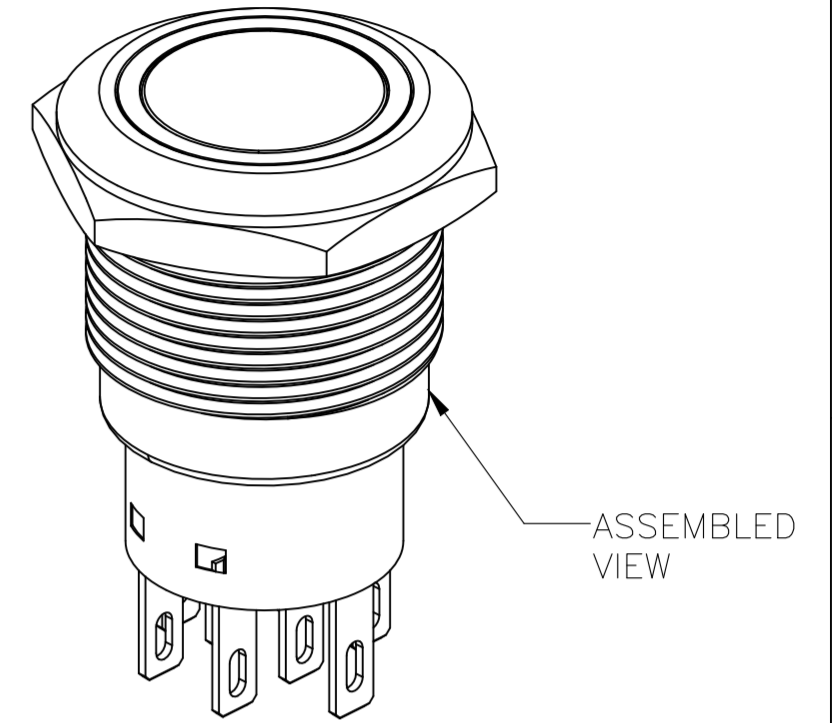
THIS DRAWING IS UNPUBLISHED. RELEASED FOR PUBLICATION
 © COPYRIGHT - By - ALL RIGHTS RESERVED.

REVISIONS					
P	LTR	DESCRIPTION	DATE	DWN	APVD
-	-	SEE SHEET 1	-	-	-

DOUBLE POLE SWITCH WITH DUAL COLOR LED'S



PANEL CUTOUT
 MAX.PANEL THICKNESS: 10.00 [.394]



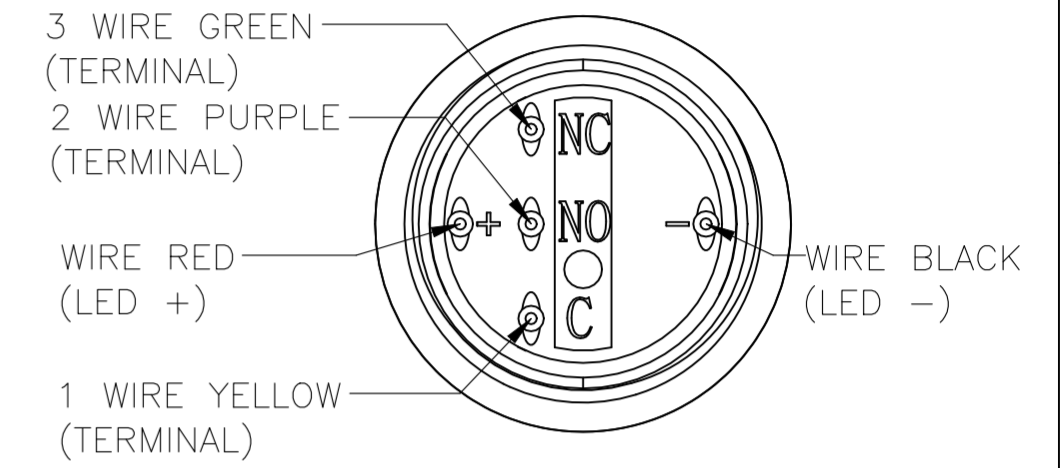
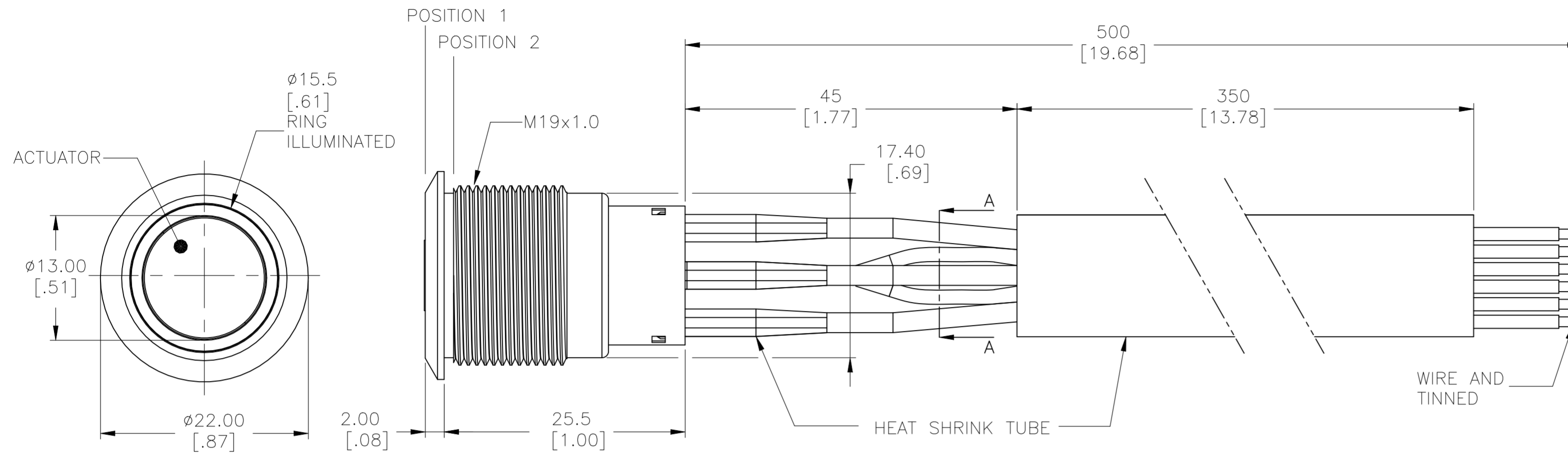
EXPLODED VIEW

THIS DRAWING IS A CONTROLLED DOCUMENT.		DWN 13MAR2017 SHIVAKUMAR S S		
DIMENSIONS: mm [INCHES]		CHK 13MAR2017 SANJAY SHINDIKAR		
TOLERANCES UNLESS OTHERWISE SPECIFIED:		APVD 13MAR2017 SANJAY SHINDIKAR	NAME ANTI-VANDAL SWITCH 19mm, DUAL COLOR LED SOLDER TERMINALS, FLYING LEADS, WITH FIXED RING	
0 PLC ± -		PRODUCT SPEC	SIZE CAGE CODE DRAWING NO RESTRICTED TO	
1 PLC ± 0.4 [.016]		APPLICATION SPEC	A2 00779 C=2317404 -	
2 PLC ± 0.25 [.010]		WEIGHT	SCALE 1:1 SHEET 2 of 5 REV A1	
3 PLC ± -		CUSTOMER DRAWING		
4 PLC ± -				
ANGLES ± 2°				
FINISH				

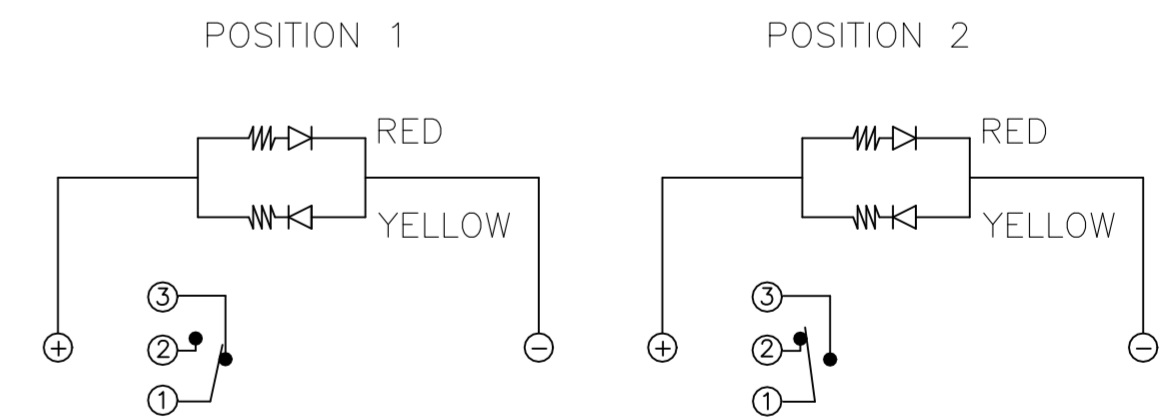
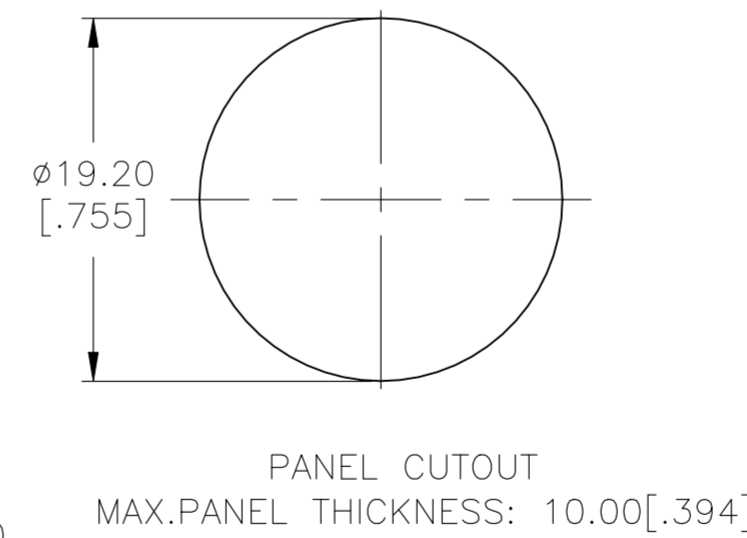
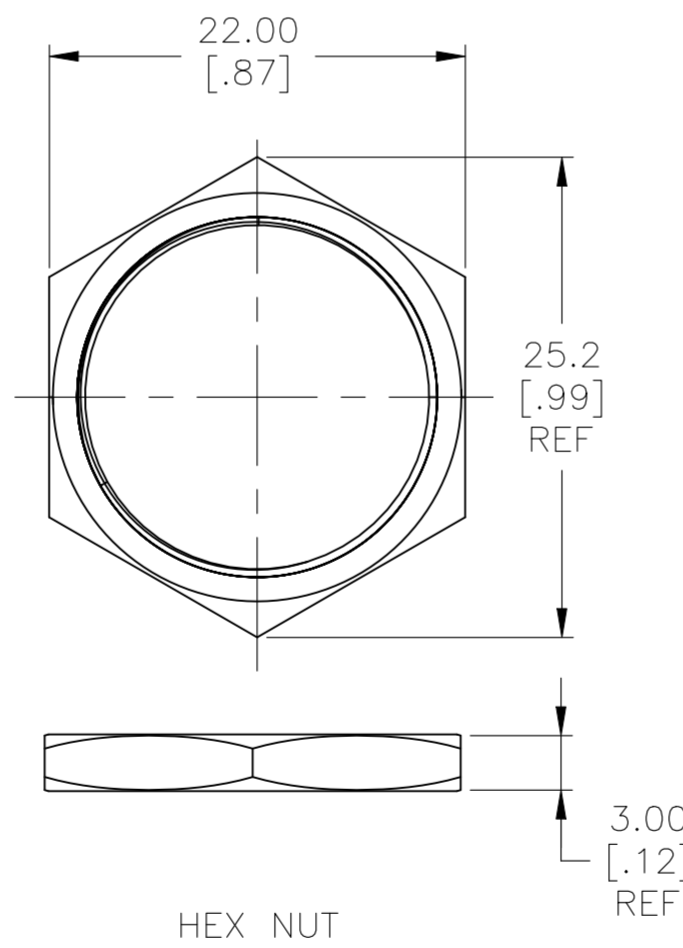
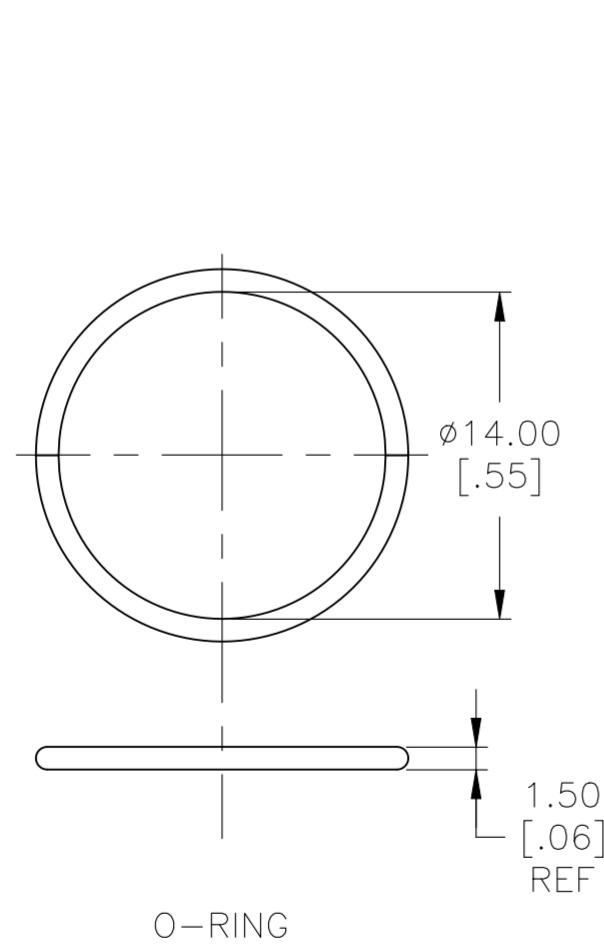
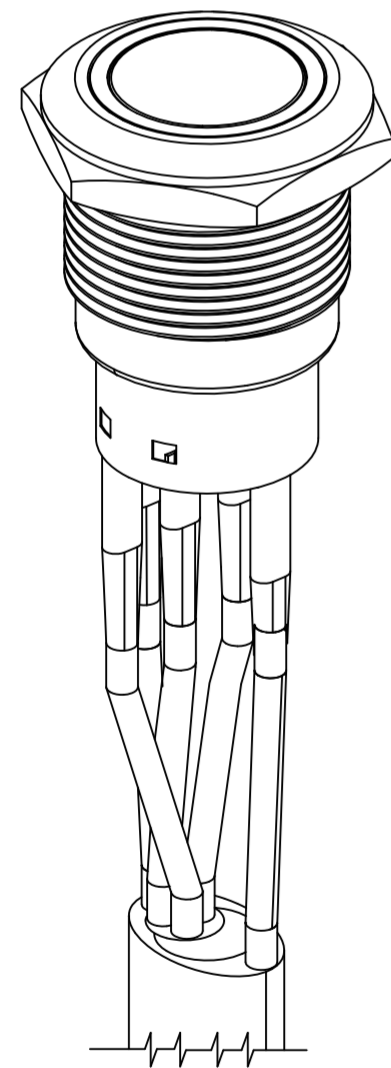
THIS DRAWING IS UNPUBLISHED. RELEASED FOR PUBLICATION
 © COPYRIGHT - By - ALL RIGHTS RESERVED.

REVISIONS					
P	LTR	DESCRIPTION	DATE	DWN	APVD
-	-	SEE SHEET 1	-	-	-

SINGLE POLE SWITCH WITH DUAL COLOR LED'S AND FLYING LEADS



WIRE=18AWG, 300V(BLACK,YELLOW/GREEN/RED/PURPLE)



ASSEMBLED VIEW

O-RING

HEX NUT

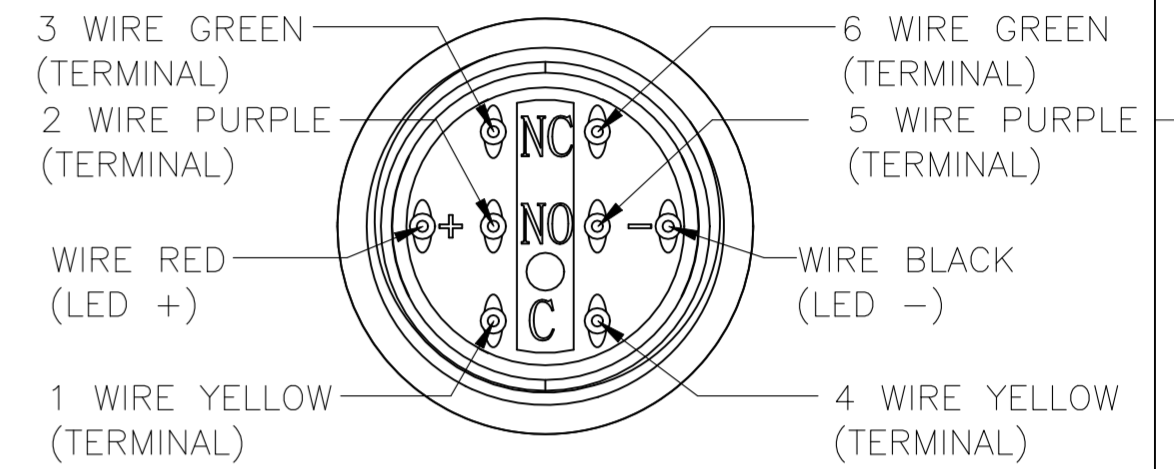
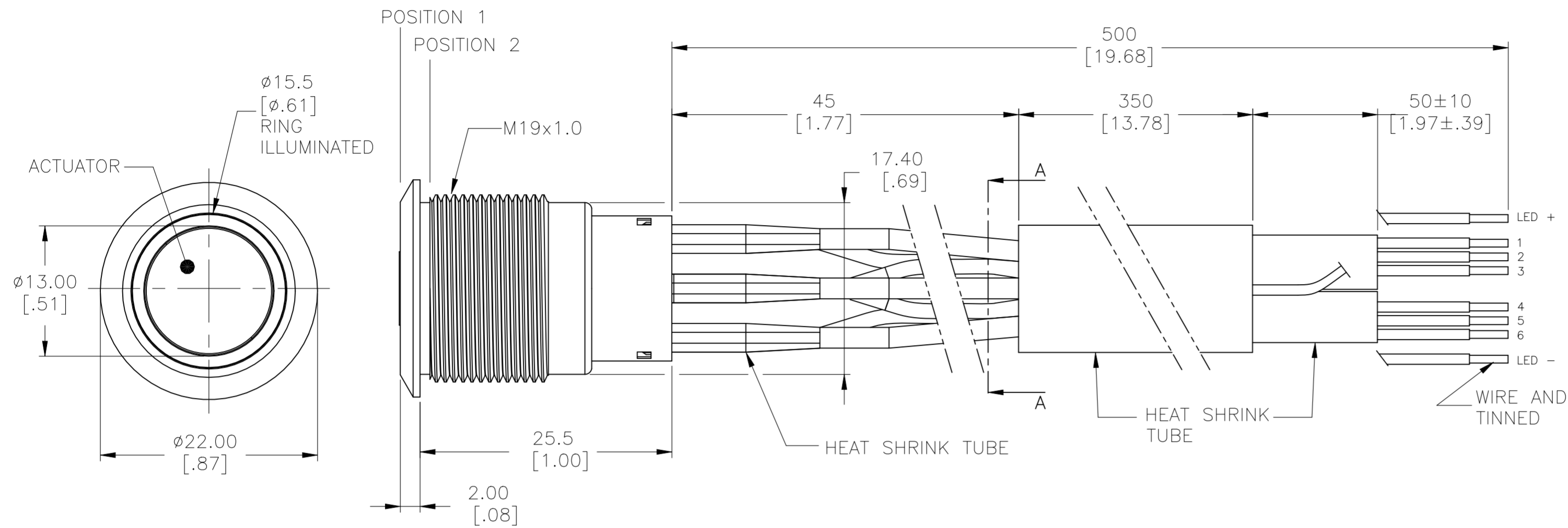
PANEL CUTOUT
MAX.PANEL THICKNESS: 10.00[.394]

THIS DRAWING IS A CONTROLLED DOCUMENT.		DWN SHIVAKUMAR S S 13MAR2017	TE Connectivity		
DIMENSIONS: mm [INCHES]		CHK SANJAY SHINDIKAR 13MAR2017			
TOLERANCES UNLESS OTHERWISE SPECIFIED:		APVD SANJAY SHINDIKAR 13MAR2017	PRODUCT SPEC		
0 PLC ± - 1 PLC ± 0.4[.016] 2 PLC ± 0.25[.010] 3 PLC ± - 4 PLC ± - ANGLES ± 2°		APPLICATION SPEC		RESTRICTED TO	
MATERIAL		WEIGHT	SIZE A2	CAGE CODE 00779	DRAWING NO C=2317404
FINISH		CUSTOMER DRAWING		SCALE 1:1	SHEET 3 of 5
				REV A1	

THIS DRAWING IS UNPUBLISHED. RELEASED FOR PUBLICATION
 © COPYRIGHT - By - ALL RIGHTS RESERVED.

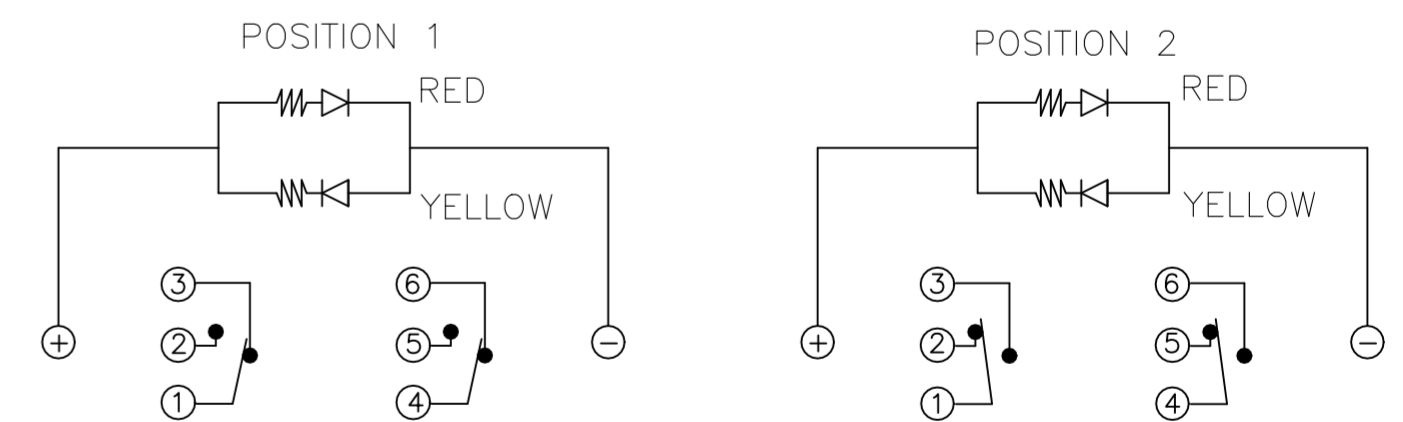
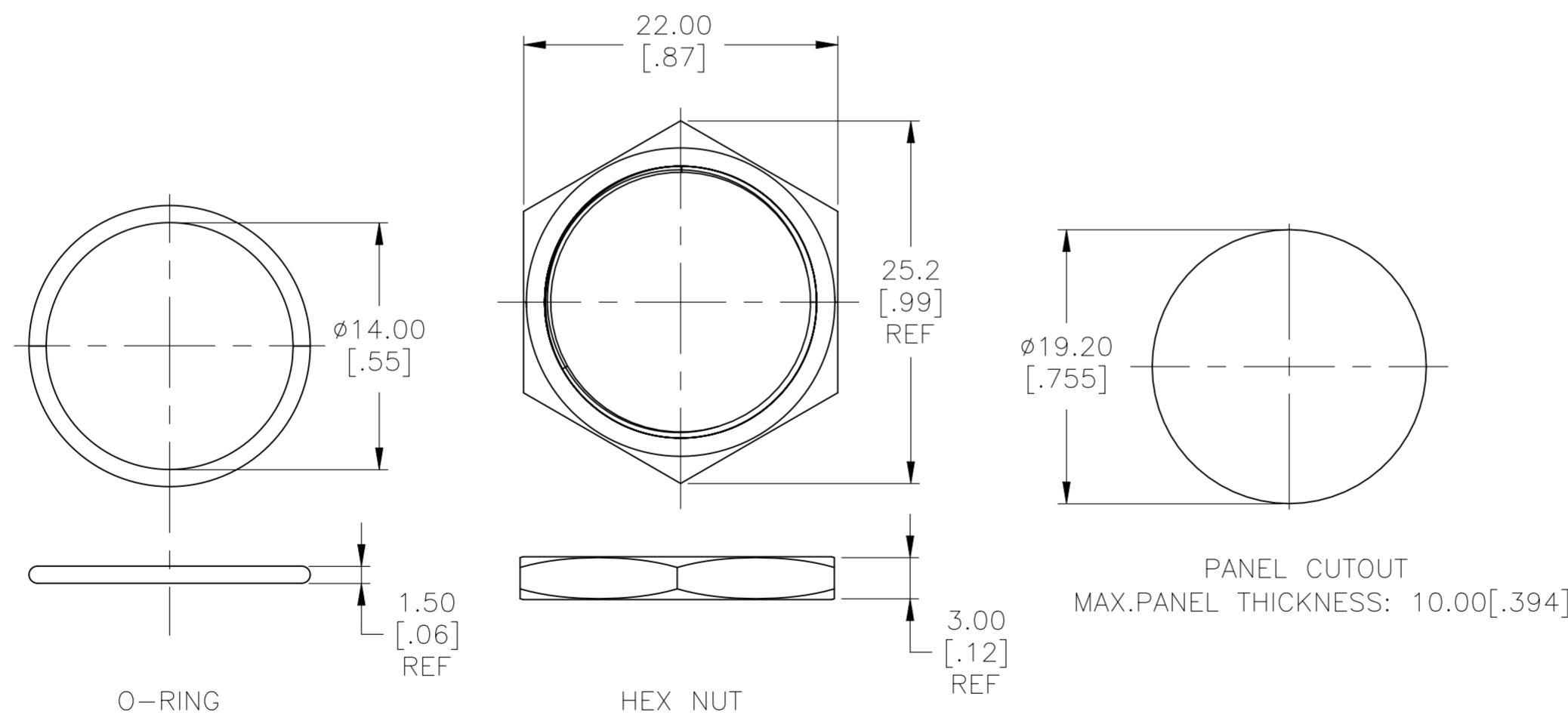
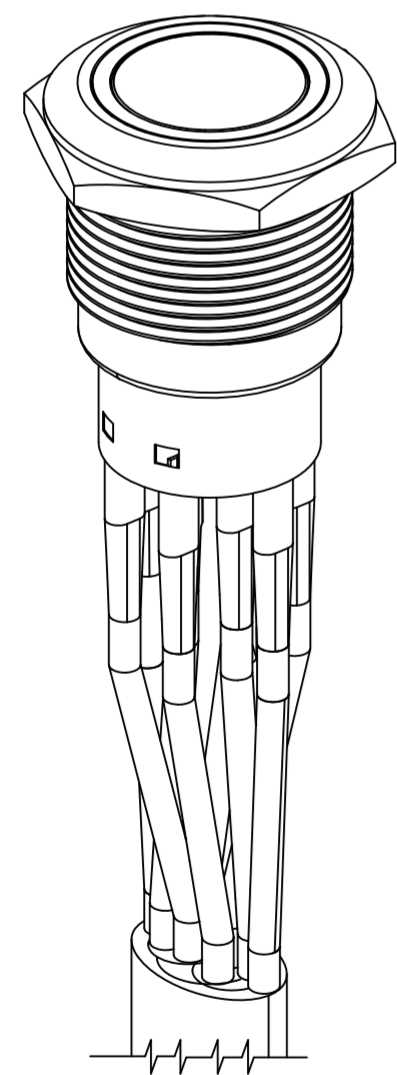
REVISIONS					
P	LTR	DESCRIPTION	DATE	DWN	APVD
-	-	SEE SHEET 1	-	-	-

DOUBLE POLE SWITCH WITH DUAL COLOR LED'S AND FLYING LEADS



SECTION A-A

WIRE=18AWG, 300V(BLACK,YELLOW/GREEN/RED/PURPLE)



THIS DRAWING IS A CONTROLLED DOCUMENT.		DWN SHIVAKUMAR S S 13MAR2017		
DIMENSIONS: mm [INCHES]		CHK SANJAY SHINDIKAR 13MAR2017		
TOLERANCES UNLESS OTHERWISE SPECIFIED:		APVD SANJAY SHINDIKAR 13MAR2017	NAME ANTI-VANDAL SWITCH 19mm, DUAL COLOR LED SOLDER TERMINALS, FLYING LEADS, WITH FIXED RING	
0 PLC ± - 1 PLC ± 0.4[.016] 2 PLC ± 0.25[.010] 3 PLC ± - 4 PLC ± - ANGLES ± 2°		PRODUCT SPEC -	SIZE A2	CAGE CODE 00779
MATERIAL -		FINISH -	DRAWING NO C=2317404	RESTRICTED TO -
CUSTOMER DRAWING		WEIGHT -	SCALE 1:1	SHEET 4 OF 5
			REV A1	

THIS DRAWING IS UNPUBLISHED. RELEASED FOR PUBLICATION
 © COPYRIGHT - By - ALL RIGHTS RESERVED.

REVISIONS					
P	LTR	DESCRIPTION	DATE	DWN	APVD
-	-	SEE SHEET 1	-	-	-

CONTACT PLATING	LIGHT TYPE	TERMINAL OPTION	POLE/THROW	LED COLOR	LED VOLTAGE	TE DESCRIPTIVE PART NUMBER	TE PART NUMBER
SILVER	FIXED RING	FLYING LEAD TERMINALS	DOUBLE POLE - MOMENTARY	RED & YELLOW	24	AV1920RG24T5Q04	4-2317404-7
					12	AV1920RG12T5Q04	4-2317404-6
				RED & BLUE	24	AV1920RB24T5Q04	4-2317404-5
					12	AV1920RB12T5Q04	4-2317404-4
				RED & GREEN	24	AV1920RA24T5Q04	4-2317404-3
					12	AV1920RA12T5Q04	4-2317404-2
			SINGLE POLE - LOCKING	RED & YELLOW	24	AV1911RG24T5Q04	4-2317404-1
					12	AV1911RG12T5Q04	4-2317404-0
				RED & BLUE	24	AV1911RB24T5Q04	3-2317404-9
					12	AV1911RB12T5Q04	3-2317404-8
				RED & GREEN	24	AV1911RA24T5Q04	3-2317404-7
					12	AV1911RA12T5Q04	3-2317404-6
		SOLDER TERMINALS	DOUBLE POLE - MOMENTARY	RED & YELLOW	24	AV1910RG24T5Q04	3-2317404-5
					12	AV1910RG12T5Q04	3-2317404-4
				RED & BLUE	24	AV1910RB24T5Q04	3-2317404-3
					12	AV1910RB12T5Q04	3-2317404-2
				RED & GREEN	24	AV1910RA24T5Q04	3-2317404-1
					12	AV1910RA12T5Q04	3-2317404-0
			SINGLE POLE - LOCKING	RED & YELLOW	24	AV1920RG24Q04	1-2317404-8
					12	AV1920RG12Q04	1-2317404-7
				RED & BLUE	24	AV1920RB24Q04	1-2317404-6
					12	AV1920RB12Q04	1-2317404-5
				RED & GREEN	24	AV1920RA24Q04	1-2317404-4
					12	AV1920RA12Q04	1-2317404-3
SINGLE POLE - MOMENTARY	RED & YELLOW	24	AV1911RG24Q04	1-2317404-2			
		12	AV1911RG12Q04	1-2317404-1			
	RED & BLUE	24	AV1911RB24Q04	1-2317404-0			
		12	AV1911RB12Q04	2317404-9			
	RED & GREEN	24	AV1911RA24Q04	2317404-8			
		12	AV1911RA12Q04	2317404-7			
SOLDER TERMINALS	RED & YELLOW	24	AV1910RG24Q04	2317404-6			
		12	AV1910RG12Q04	2317404-5			
	RED & BLUE	24	AV1910RB24Q04	2317404-4			
		12	AV1910RB12Q04	2317404-3			
	RED & GREEN	24	AV1910RA24Q04	2317404-2			
		12	AV1910RA12Q04	2317404-1			

THIS DRAWING IS A CONTROLLED DOCUMENT.		DWN 13MAR2017 SHIVAKUMAR S S	STE TE Connectivity	
DIMENSIONS: mm [INCHES]		CHK 13MAR2017 SANJAY SHINDIKAR		
TOLERANCES UNLESS OTHERWISE SPECIFIED:		APVD 13MAR2017 SANJAY SHINDIKAR	NAME ANTI-VANDAL SWITCH 19mm, DUAL COLOR LED SOLDER TERMINALS, FLYING LEADS, WITH FIXED RING	
0 PLC ± -		PRODUCT SPEC -	SIZE CAGE CODE DRAWING NO RESTRICTED TO	
1 PLC ± 0.4[.016]		APPLICATION SPEC -	A2 00779 C=2317404	
2 PLC ± 0.25[.010]		WEIGHT -	SCALE 1:1 SHEET 5 OF 5 REV A1	
3 PLC ± -		CUSTOMER DRAWING		
4 PLC ± -				
ANGLES ± 2°				
MATERIAL -				
FINISH -				