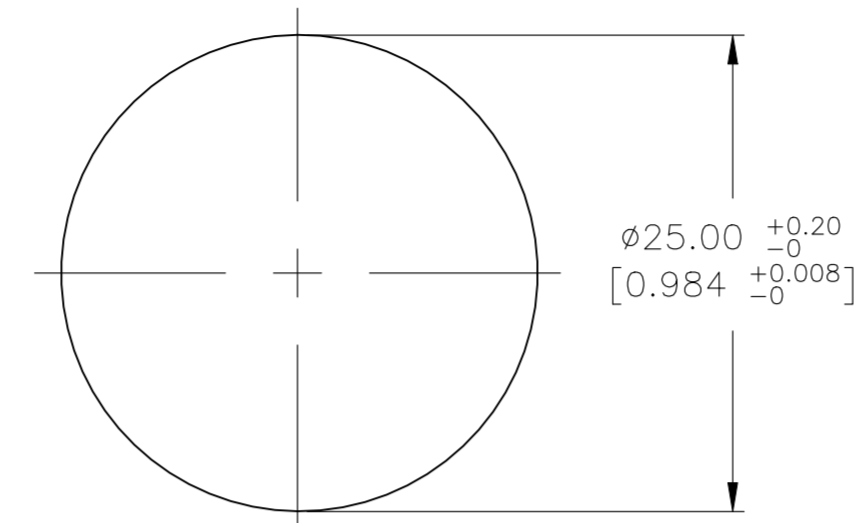
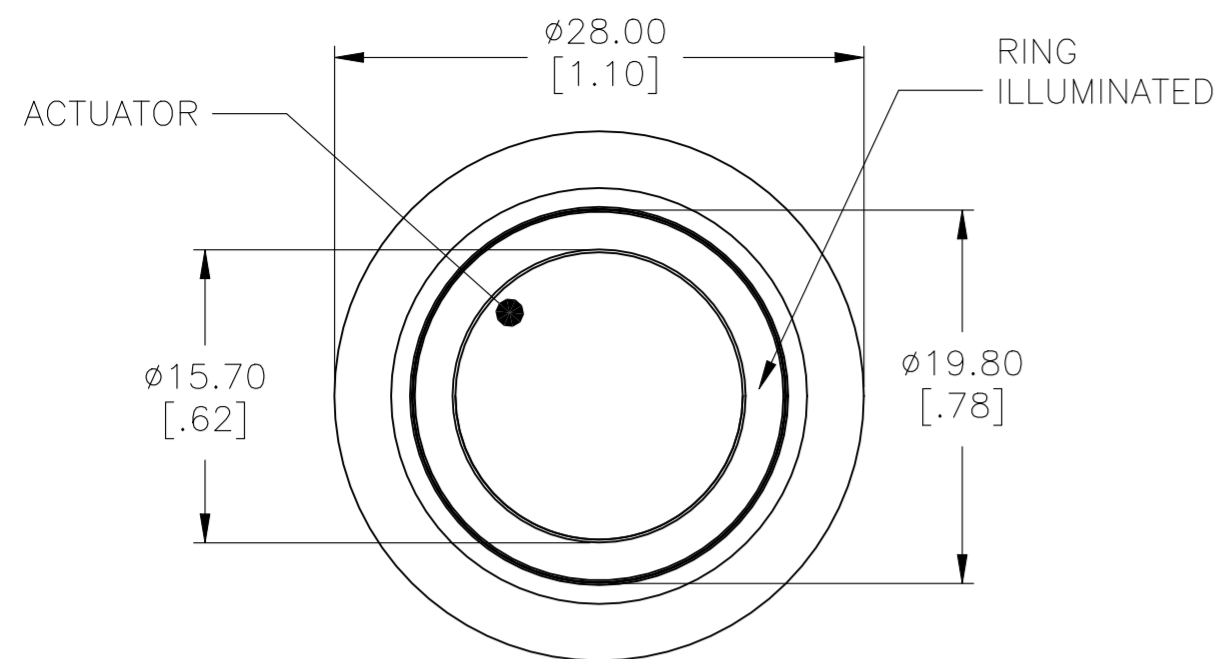
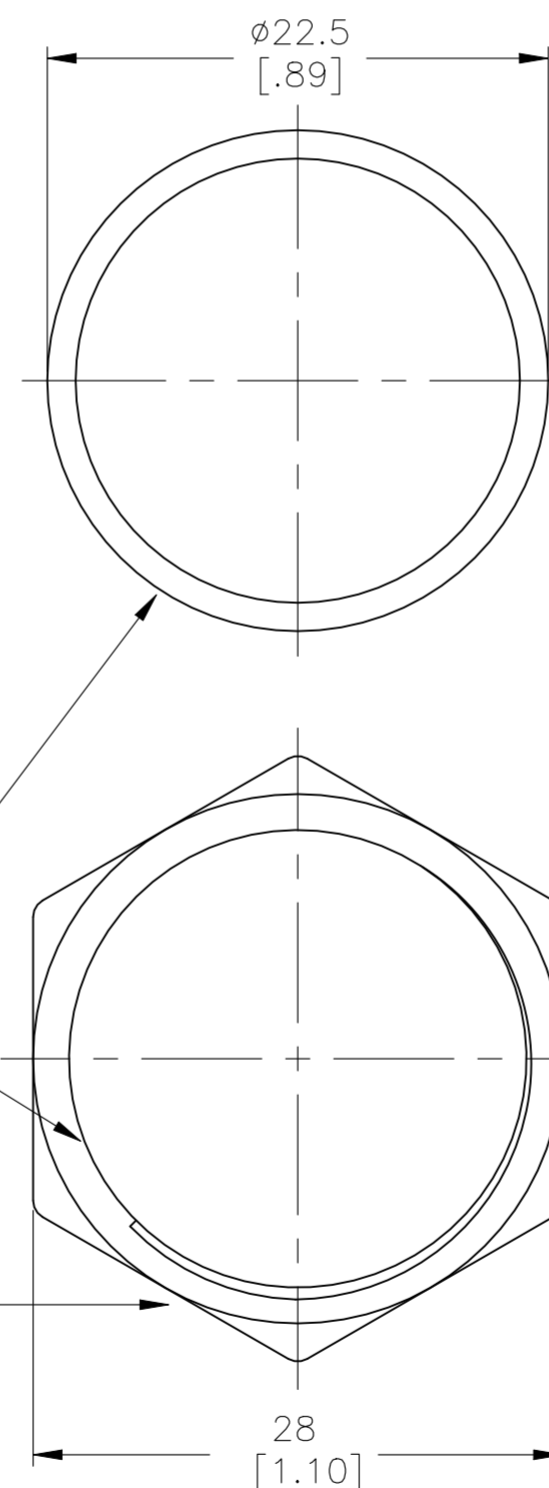
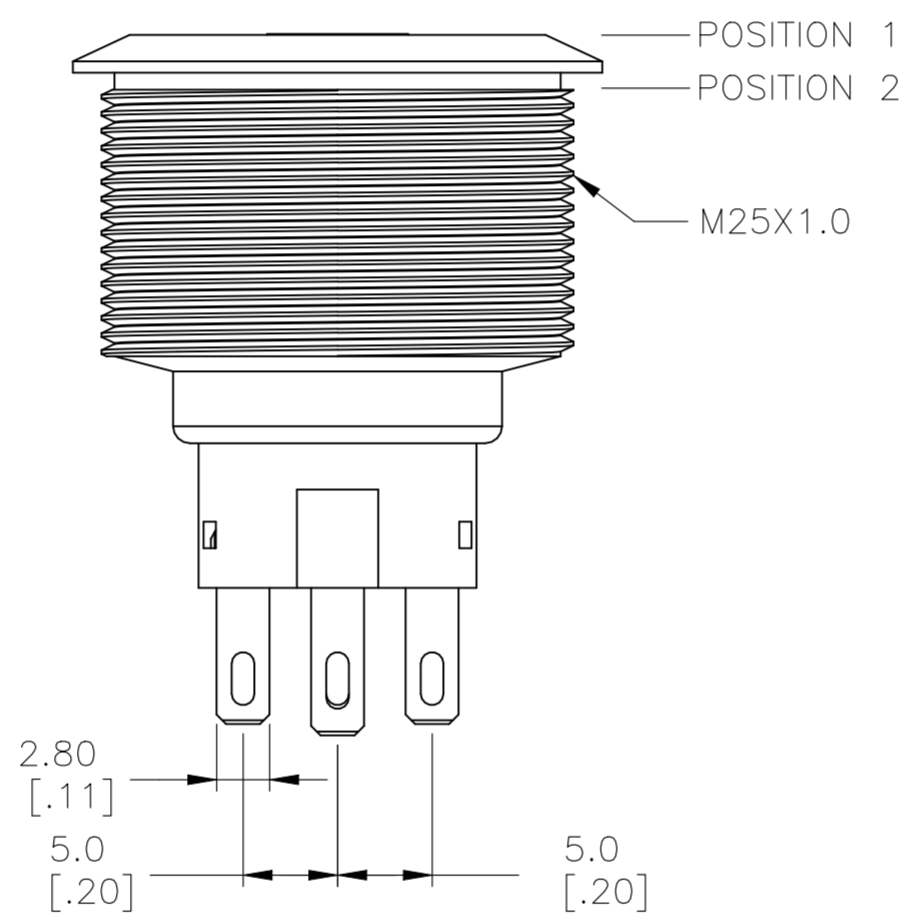
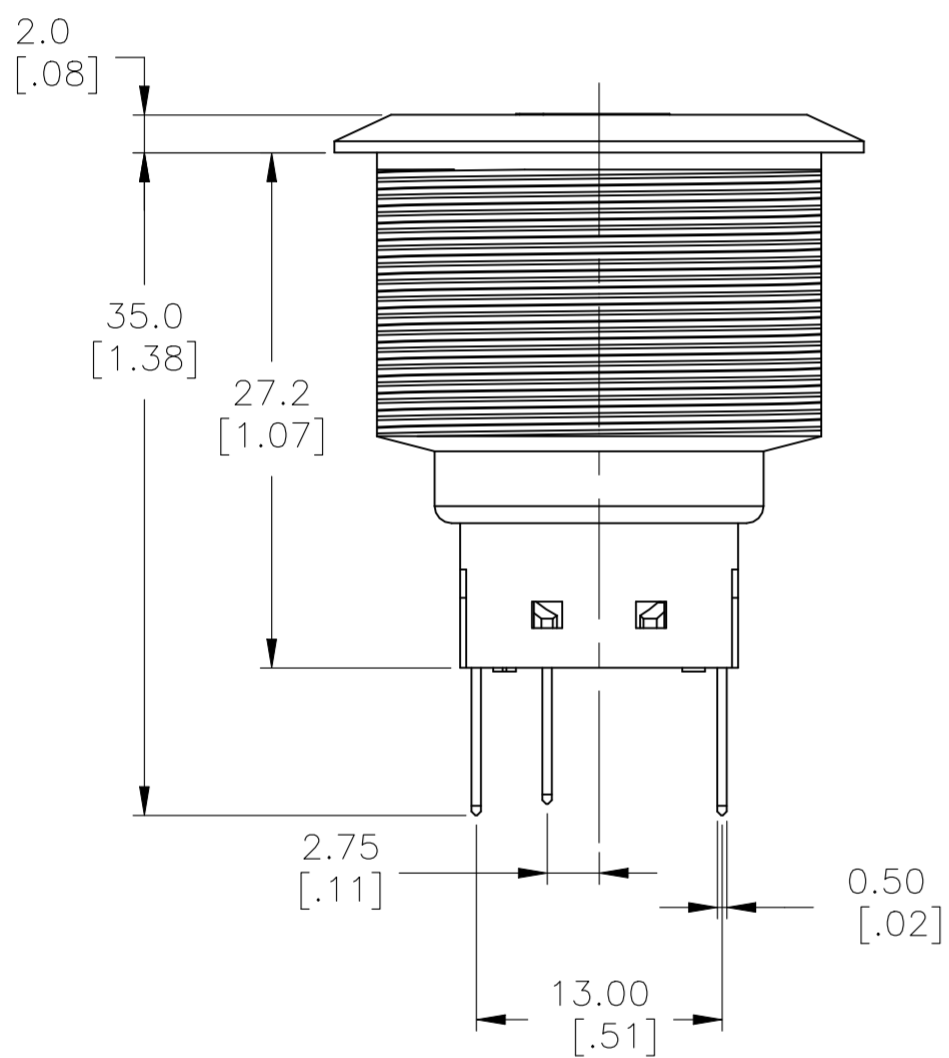
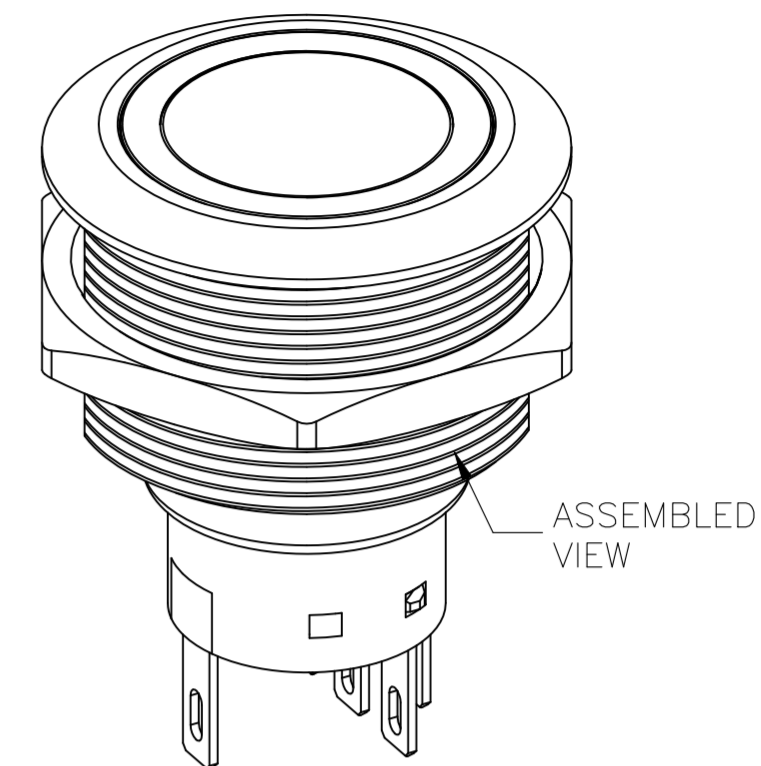
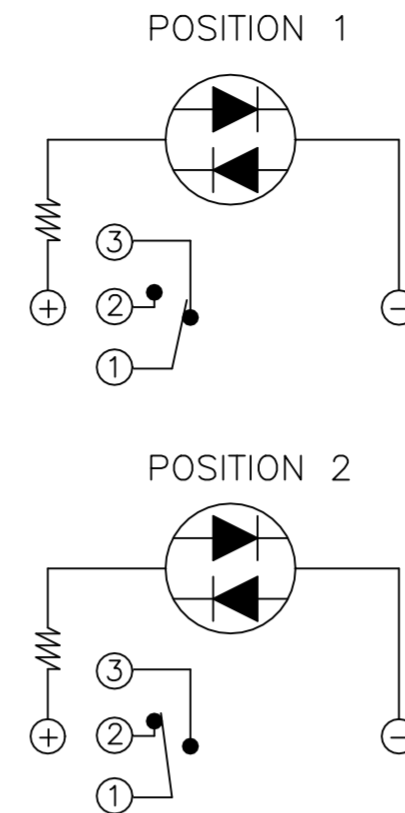


REVISIONS					
P	LTR	DESCRIPTION	DATE	DWN	APVD
A2		ECN-23-198077	15FEB2023	GSK	MDD

SINGLE POLE SWITCH



PANEL CUTOUT
MAX.PANEL THICKNESS: 10.0[.39]

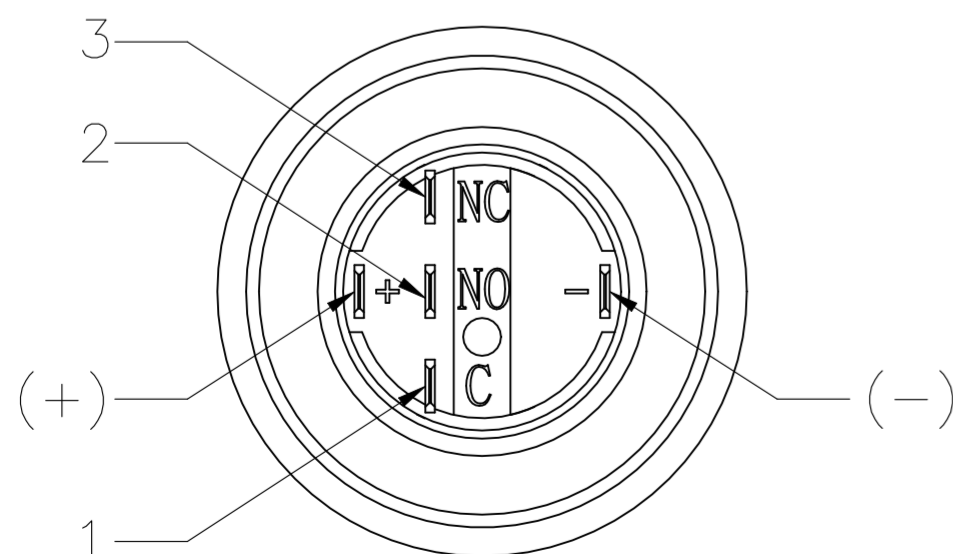


SPECIFICATION:
 CONTACT RATING: SILVER; 3A @ 250VAC RESISTIVE
 GOLD; 0.4A @ 20VDC OR PEAK AC
 INSULATION RESISTANCE: 1,000MΩ MIN AT 500VDC
 DIELECTRIC STRENGTH: 2,000V RMS @ SEA LEVEL
 CONTACT RESISTANCE: 50mΩ MAX @ 1A 12VDC (INITIAL VALUE),
 SOLDER TERMINALS
 100mΩ MAX @ 1A 12VDC (INITIAL VALUES),
 FLYING LEADS.
 ELECTRICAL LIFE CYCLES: 50,000 MAKE AND BREAK CYCLES
 AT FULL LOAD.
 ACTUATION FORCE: SP: 2.5±1 N, DP: 3.5±1 N
 ACTUATION TRAVEL: APPROXIMATELY 3.2mm
 SEALED PER IP67, IK08
 OPERATING TEMPERATURE: -20°C TO +55°C
 MECHANICAL LIFECYCLES: MOMENTARY; 1,000,000 CYCLES
 LOCKING; 500,000 CYCLES
 HARDWARE TORQUE: 5-14 N-m.

MATERIALS

BUSHING: STAINLESS STEEL,
 BASE: PBT (UL 94-V0), PC (UL 94-V2),
 ACTUATOR: STAINLESS STEEL, PC
 O-RING: SILICONE,
 TERMINAL/CONTACT: COPPER BASE, SILVER/GOLD PLATED,
 HEX NUT: BRASS BASE, NICKEL PLATED.
 INNER ASSEMBLY: POM/PA66
 SPRING: SPRING STEEL
 SEALING: SILICONE

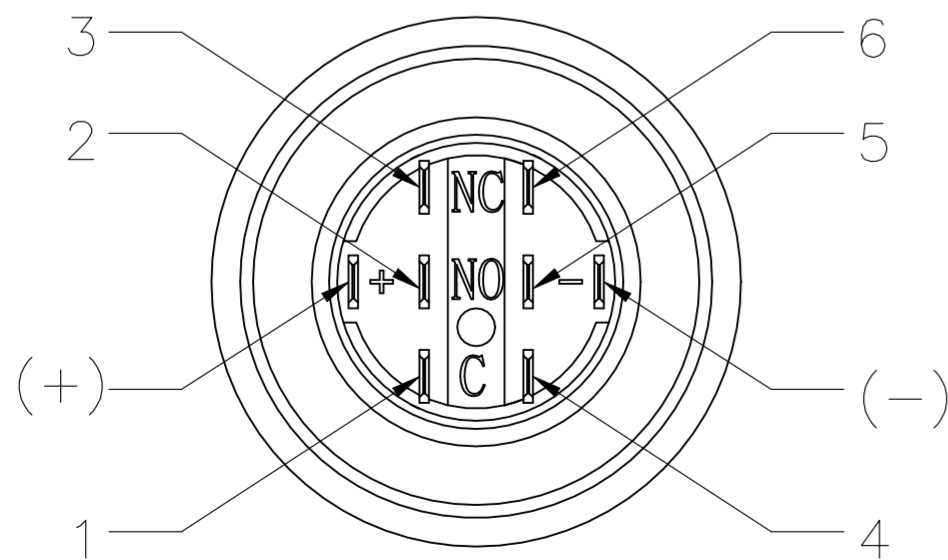
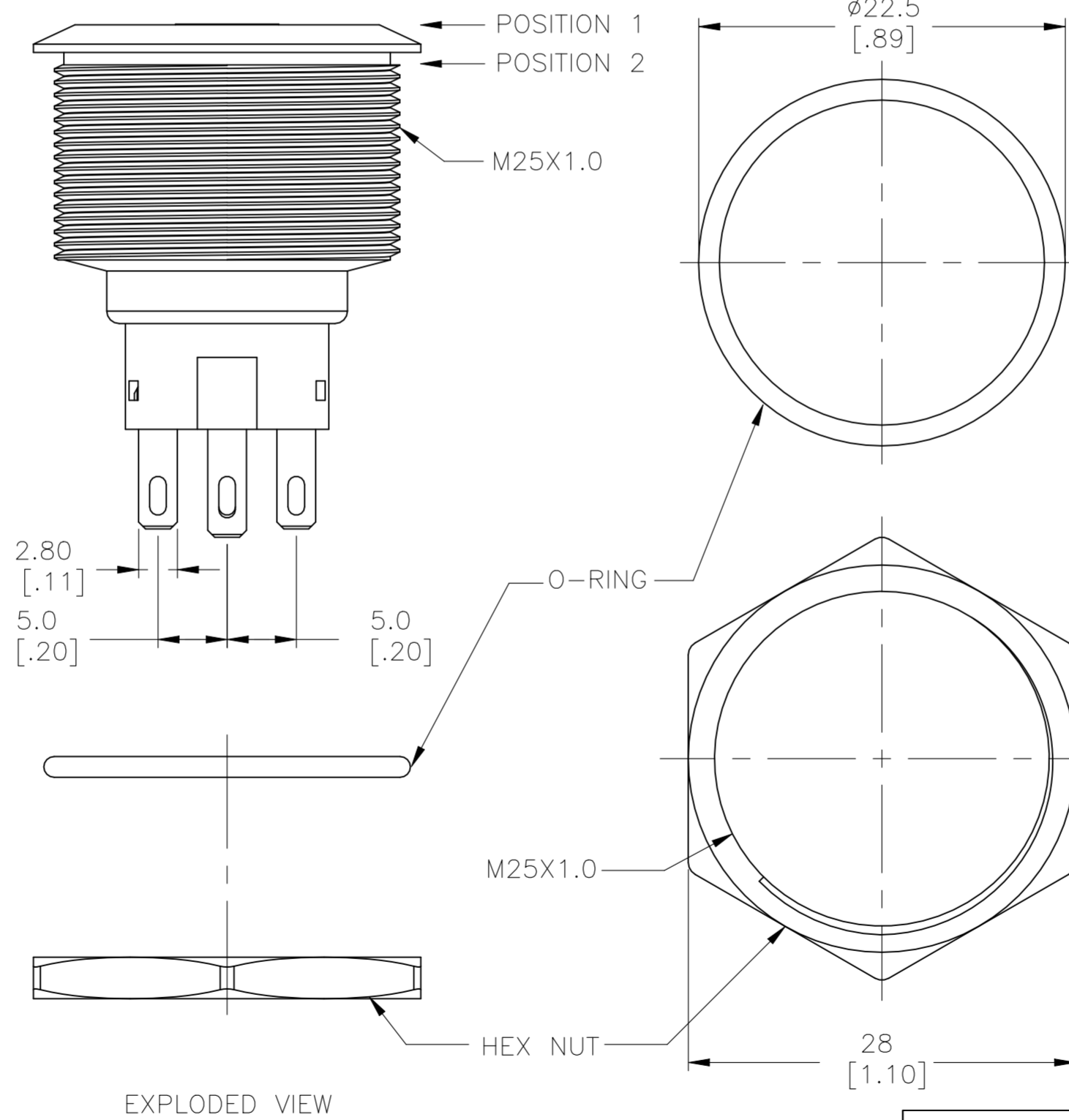
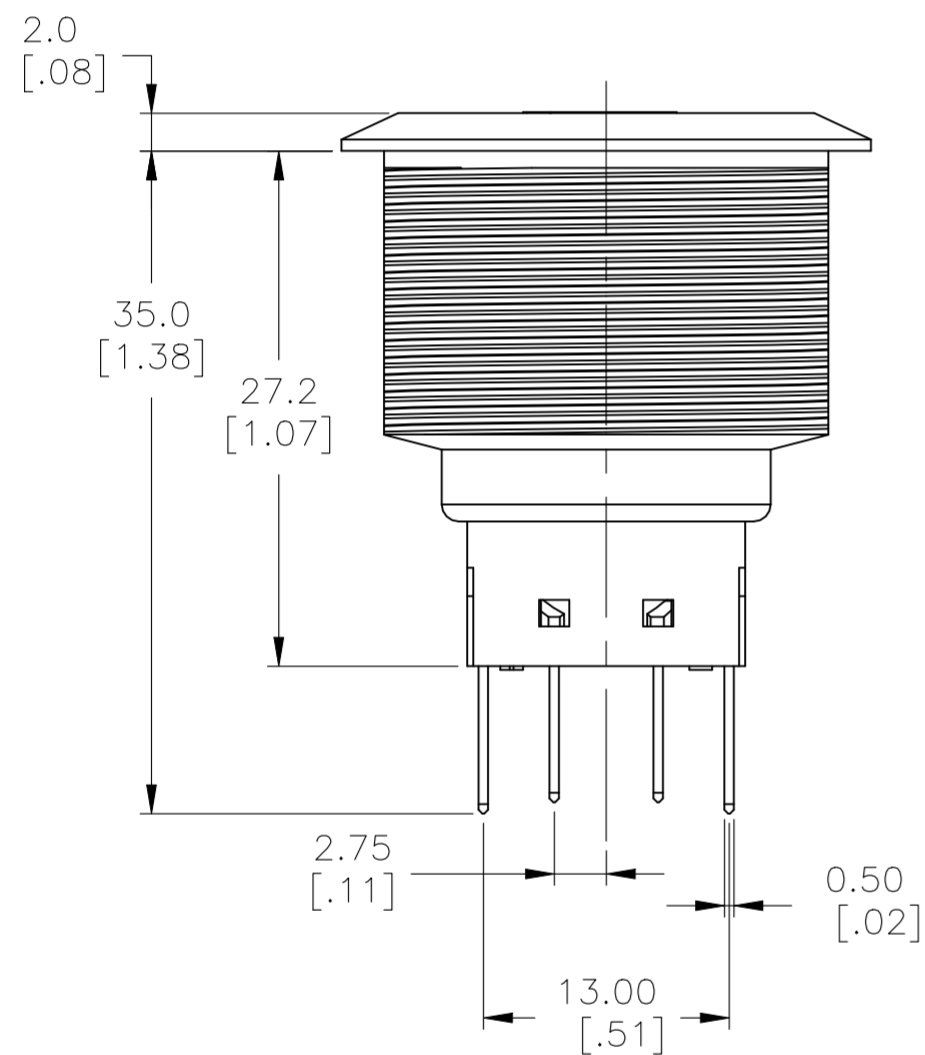
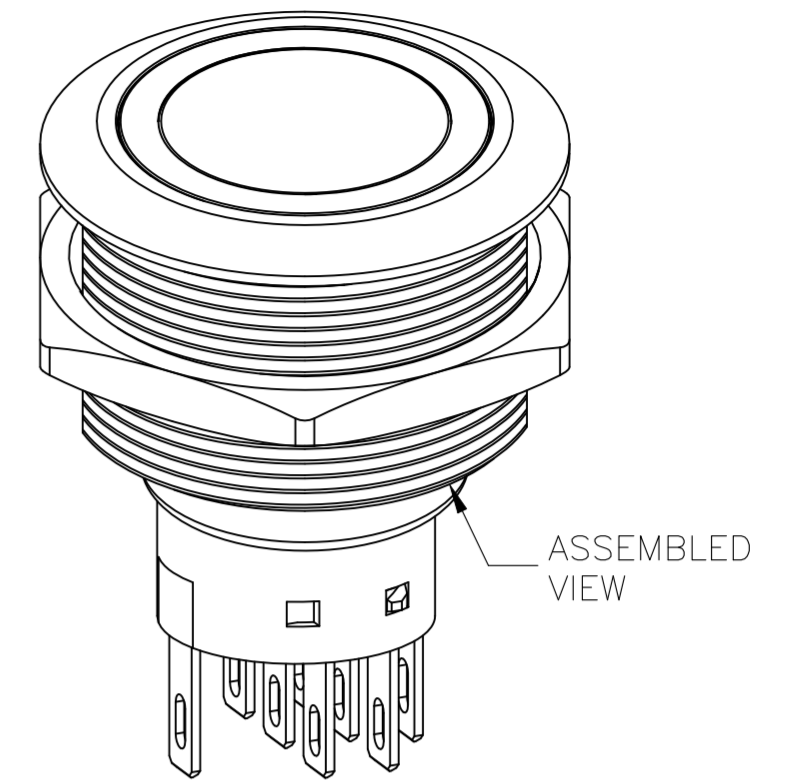
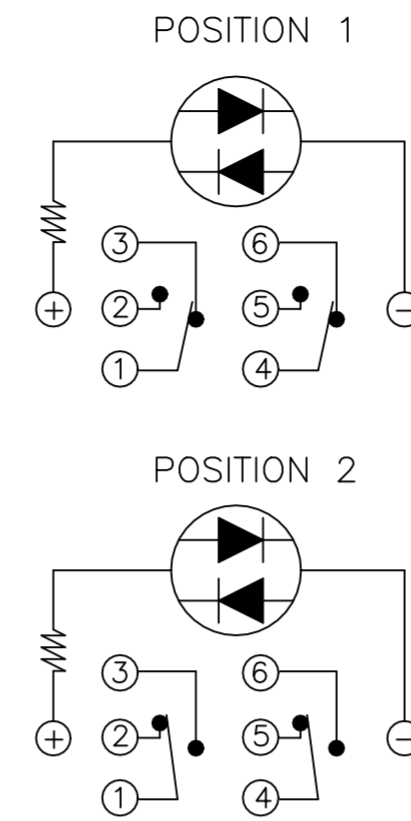
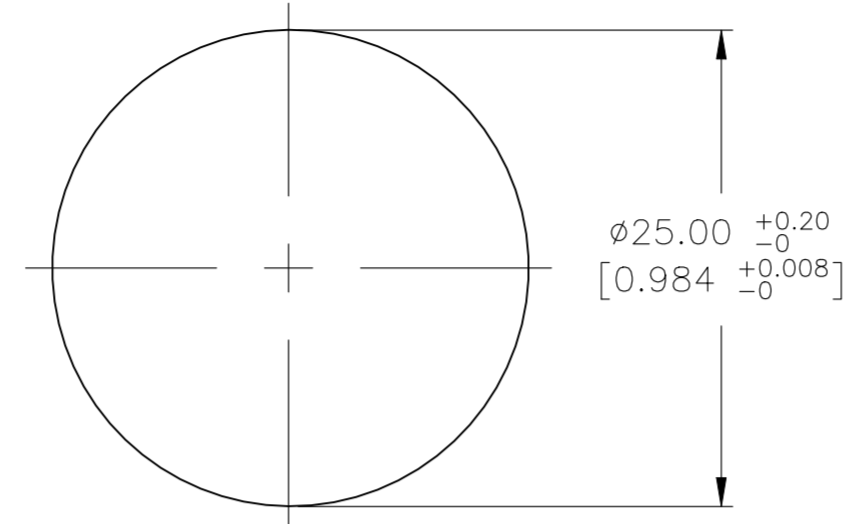
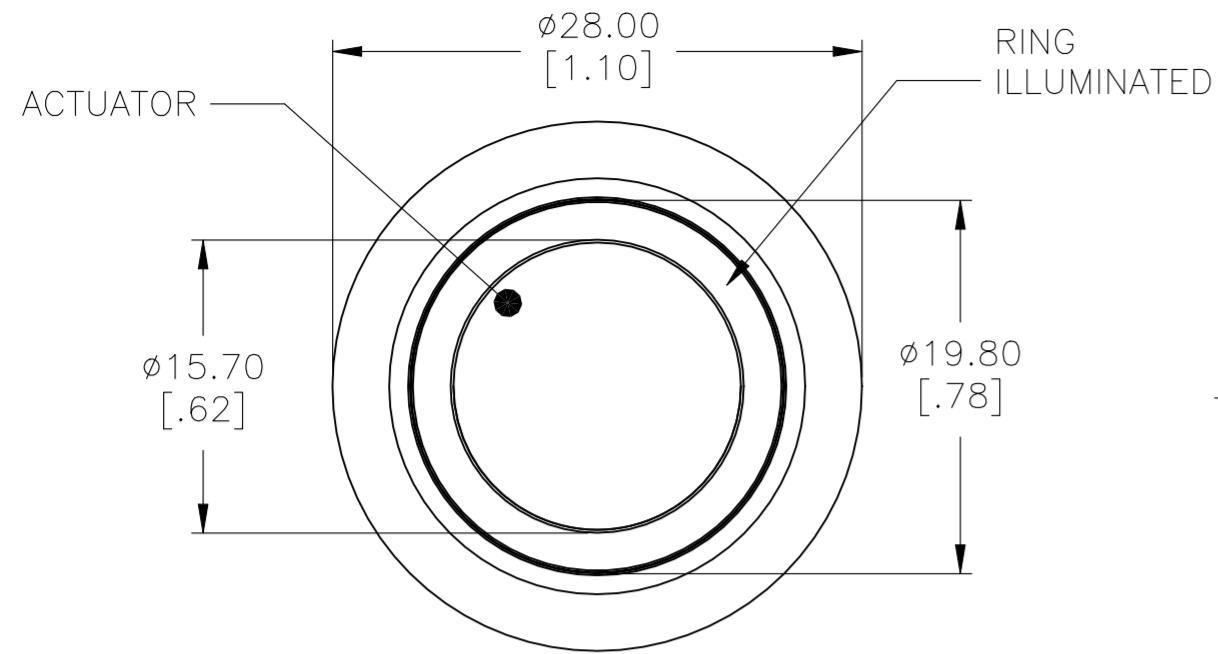
1. ALL MATERIAL AND FINISHES SHALL COMPLY WITH EU DIRECTIVE 2002/95/EC OF 27JAN2003(ROHS).



THIS DRAWING IS A CONTROLLED DOCUMENT.		DWN SHIVAKUMAR S S 15MAR2017	TE Connectivity Ltd.	
DIMENSIONS: mm [INCHES]		CHK SANJAY SHINDIKAR 15MAR2017		
TOLERANCES UNLESS OTHERWISE SPECIFIED:		APVD SANJAY SHINDIKAR 15MAR2017	NAME ANTI-VANDAL SWITCH 25mm, SOLDER TERMINALS, MOVING RING LED	
0 PLC ± - 1 PLC ± 0.4[.016] 2 PLC ± 0.25[.010] 3 PLC ± - 4 PLC ± - ANGLES ± 2°		PRODUCT SPEC	SIZE A2	
MATERIAL		APPLICATION SPEC	CAGE CODE 00779	DRAWING NO C=2317656
FINISH		WEIGHT	RESTRICTED TO	
		CUSTOMER DRAWING	SCALE 1:1	SHEET 1 of 3
			REV A2	

DOUBLE POLE SWITCH

REVISIONS					
P	LTR	DESCRIPTION	DATE	DWN	APVD
-	-	SEE SHEET 1	-	-	-


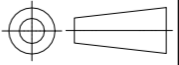


THIS DRAWING IS A CONTROLLED DOCUMENT.		DWN 15MAR2017 SHIVAKUMAR S S	TE Connectivity Ltd.	
DIMENSIONS: mm [INCHES]		CHK 15MAR2017 SANJAY SHINDIKAR		
TOLERANCES UNLESS OTHERWISE SPECIFIED:		APVD 15MAR2017 SANJAY SHINDIKAR	NAME ANTI-VANDAL SWITCH 25mm, SOLDER TERMINALS, MOVING RING LED	
0 PLC ± -		PRODUCT SPEC	SIZE CAGE CODE DRAWING NO RESTRICTED TO	
1 PLC ± 0.4[.016]		APPLICATION SPEC	A2 00779 C=2317656 -	
2 PLC ± 0.25[.010]		WEIGHT	SCALE 1:1 SHEET 2 OF 3 REV A2	
3 PLC ± -		CUSTOMER DRAWING		
4 PLC ± -				
ANGLES ± 2°				
FINISH				

REVISIONS

P	LTR	DESCRIPTION	DATE	DWN	APVD
-	-	SEE SHEET 1	-	-	-

CONTACT FINISH	LIGHT TYPE	TERMINAL OPTION	POLE/THROW	LED COLOR	LED VOLTAGE	TE DESCRIPTIVE PART NUMBER	TE PART NUMBER	
SILVER	MOVING RING	SOLDER TERMINAL	DOUBLE POLE - LOCKING	BLUE	24	AV2521E724Q04	4-2317656-0	
				BLUE	12	AV2521E712Q04	3-2317656-9	
				GREEN	24	AV2521E624Q04	3-2317656-8	
				GREEN	12	AV2521E612Q04	3-2317656-7	
				YELLOW	24	AV2521E524Q04	3-2317656-6	
				YELLOW	12	AV2521E512Q04	3-2317656-5	
				RED	24	AV2521E324Q04	3-2317656-4	
				RED	12	AV2521E312Q04	3-2317656-3	
				WHITE	24	AV2521E124Q04	3-2317656-2	
				WHITE	12	AV2521E112Q04	3-2317656-1	
				DOUBLE POLE - MOMENTARY	BLUE	24	AV2520E724Q04	3-2317656-0
					BLUE	12	AV2520E712Q04	2-2317656-9
			GREEN		24	AV2520E624Q04	2-2317656-8	
			GREEN		12	AV2520E612Q04	2-2317656-7	
			YELLOW		24	AV2520E524Q04	2-2317656-6	
			YELLOW		12	AV2520E512Q04	2-2317656-5	
			RED		24	AV2520E324Q04	2-2317656-4	
			RED		12	AV2520E312Q04	2-2317656-3	
			WHITE		24	AV2520E124Q04	2-2317656-2	
			WHITE		12	AV2520E112Q04	2-2317656-1	
			SINGLE POLE - LOCKING		BLUE	24	AV2511E724Q04	2-2317656-0
					BLUE	12	AV2511E712Q04	1-2317656-9
				GREEN	24	AV2511E624Q04	1-2317656-8	
				GREEN	12	AV2511E612Q04	1-2317656-7	
				YELLOW	24	AV2511E524Q04	1-2317656-6	
				YELLOW	12	AV2511E512Q04	1-2317656-5	
				RED	24	AV2511E324Q04	1-2317656-4	
				RED	12	AV2511E312Q04	1-2317656-3	
				WHITE	24	AV2511E124Q04	1-2317656-2	
				WHITE	12	AV2511E112Q04	1-2317656-1	
				SINGLE POLE - MOMENTARY	BLUE	24	AV2510E724Q04	1-2317656-0
					BLUE	12	AV2510E712Q04	2317656-9
			GREEN		24	AV2510E624Q04	2317656-8	
			GREEN		12	AV2510E612Q04	2317656-7	
			YELLOW		24	AV2510E524Q04	2317656-6	
			YELLOW		12	AV2510E512Q04	2317656-5	
RED	24	AV2510E324Q04	2317656-4					
RED	12	AV2510E312Q04	2317656-3					
WHITE	24	AV2510E124Q04	2317656-2					
WHITE	12	AV2510E112Q04	2317656-1					

THIS DRAWING IS A CONTROLLED DOCUMENT.		DWN 15MAR2017 SHIVAKUMAR S S	 TE Connectivity Ltd.
DIMENSIONS: mm [INCHES]		CHK 15MAR2017 SANJAY SHINDIKAR	
TOLERANCES UNLESS OTHERWISE SPECIFIED: 0 PLC ± - 1 PLC ± 0.4[.016] 2 PLC ± 0.25[.010] 3 PLC ± - 4 PLC ± - ANGLES ± 2°		APVD 15MAR2017 SANJAY SHINDIKAR	
MATERIAL -		FINISH -	
		PRODUCT SPEC -	NAME ANTI-VANDAL SWITCH 25mm, SOLDER TERMINALS, MOVING RING LED
WEIGHT -		APPLICATION SPEC -	SIZE A2 CAGE CODE 00779 DRAWING NO C-2317656 RESTRICTED TO -
CUSTOMER DRAWING		SCALE 1:1 SHEET 3 OF 3 REV A2	