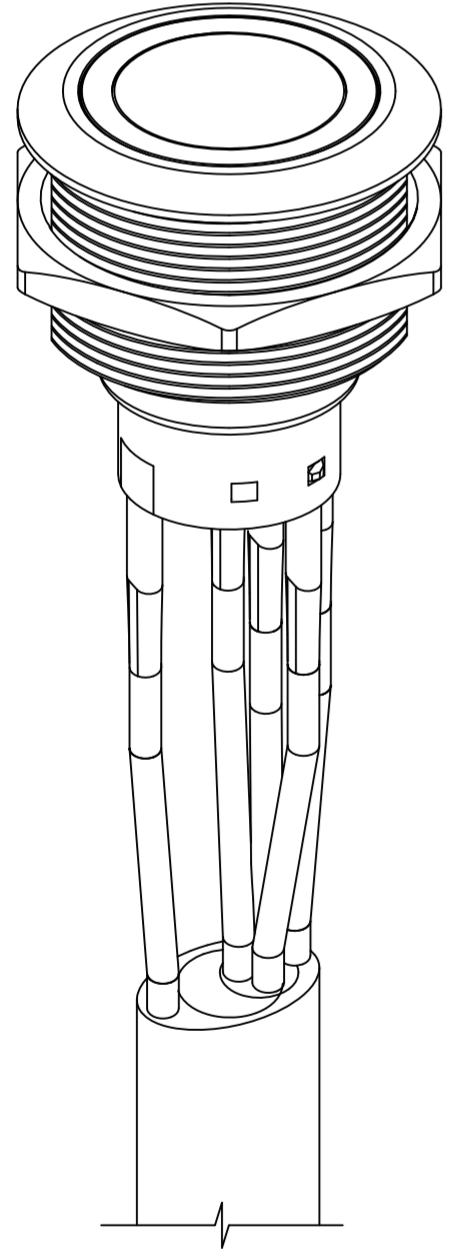
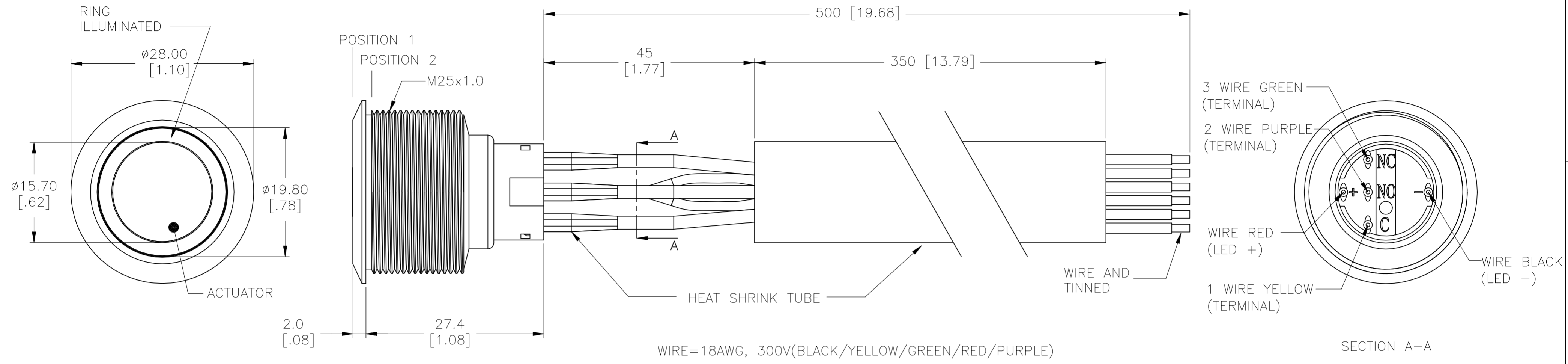


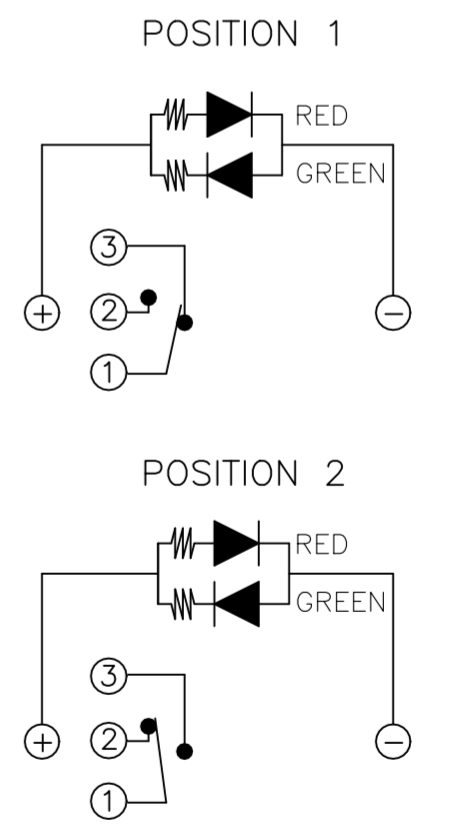
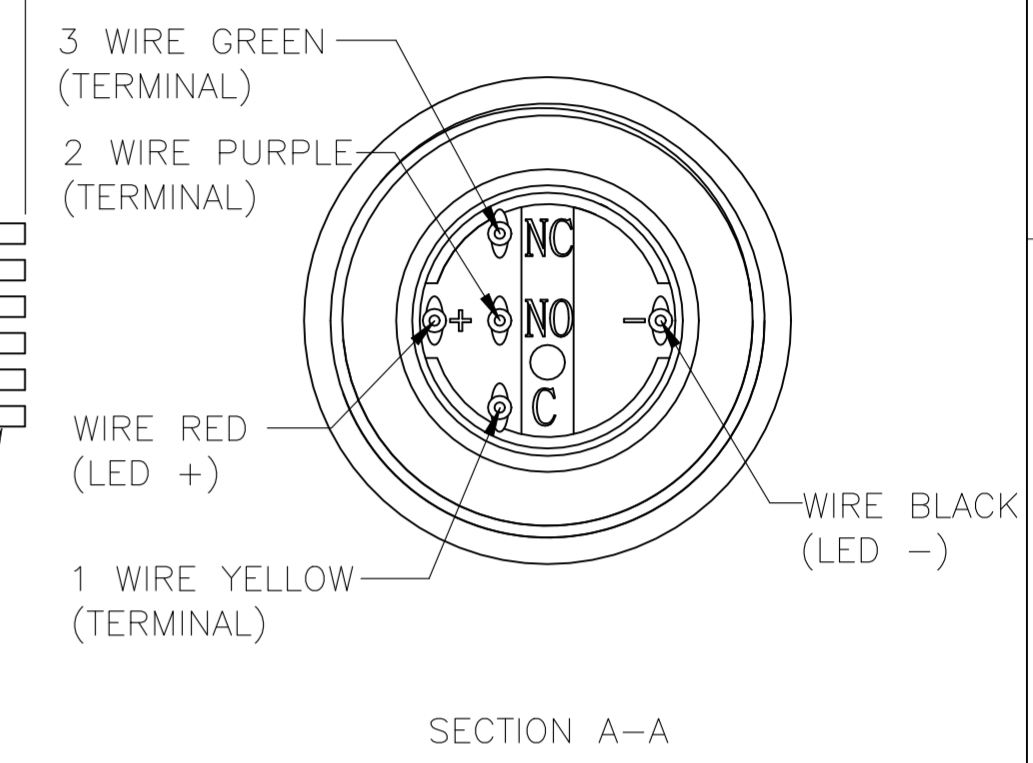
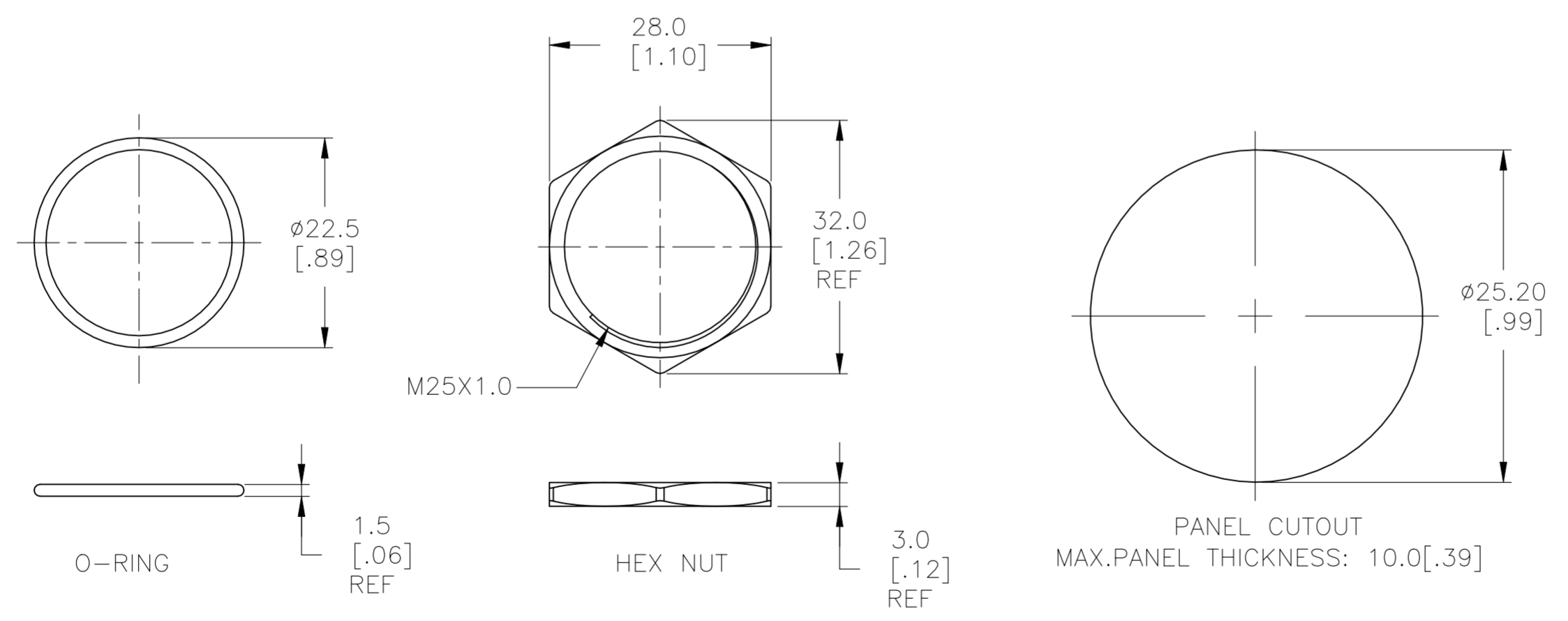
THIS DRAWING IS UNPUBLISHED. RELEASED FOR PUBLICATION  
 © COPYRIGHT - By - ALL RIGHTS RESERVED.

REVISIONS					
P	LTR	DESCRIPTION	DATE	DWN	APVD
A1		ECO-21-006709	18JUN2021	RK	AS

### SINGLE POLE SWITCH WITH DUAL COLOR LED'S AND FLYING LEADS



ASSEMBLED VIEW

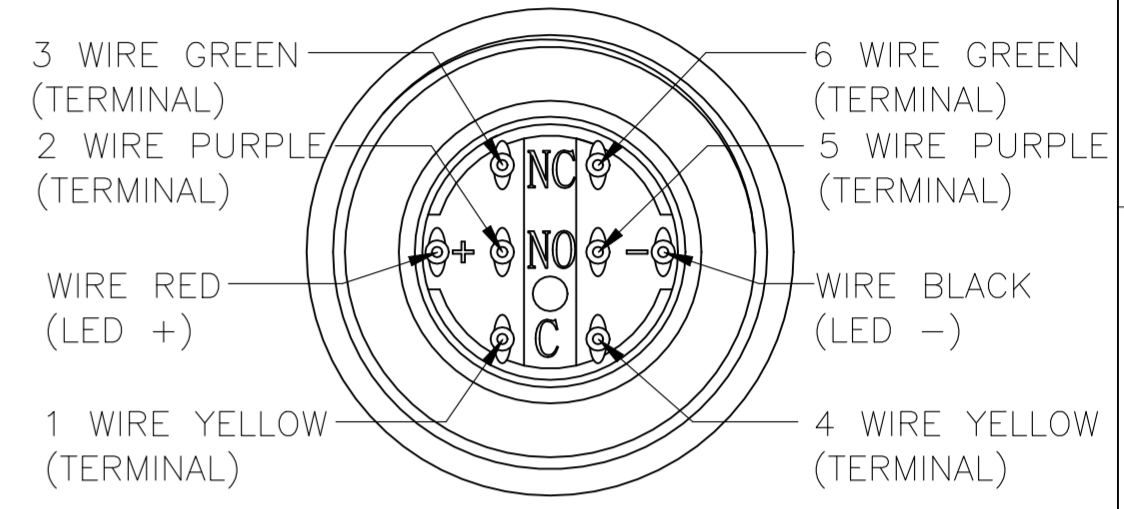
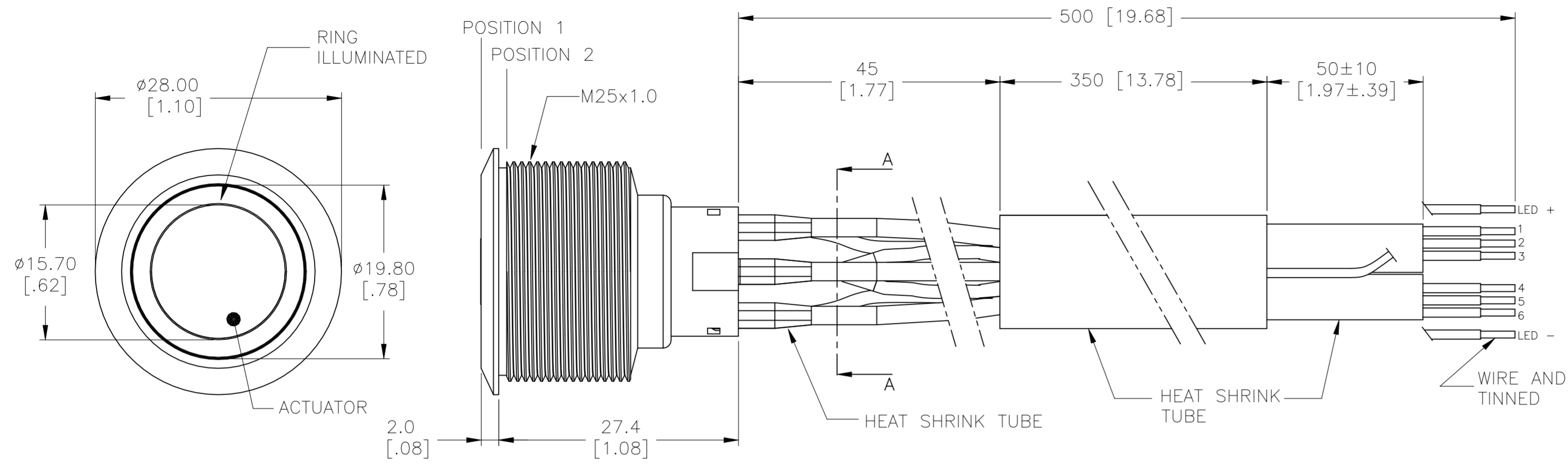


THIS DRAWING IS A CONTROLLED DOCUMENT.		DWN SHIVAKUMAR S S	15MAR2017			TE Connectivity		
DIMENSIONS: mm [INCHES]		CHK SANJAY SHINDIKAR	15FEB2017			NAME ANTI-VANDAL SWITCH 25mm, MOVING RING LED AND FLYING LEADS		
TOLERANCES UNLESS OTHERWISE SPECIFIED:		APVD SANJAY SHINDIKAR	15FEB2017			PRODUCT SPEC		
0 PLC ± - 1 PLC ± 0.4[.016] 2 PLC ± 0.25[.010] 3 PLC ± - 4 PLC ± - ANGLES ± 2°		APPLICATION SPEC		RESTRICTED TO				
MATERIAL		FINISH		WEIGHT 0	SIZE A2	CAGE CODE 00779	DRAWING NO C=2317657	
CUSTOMER DRAWING				SCALE 1:1	SHEET 1 OF 3	REV A1		

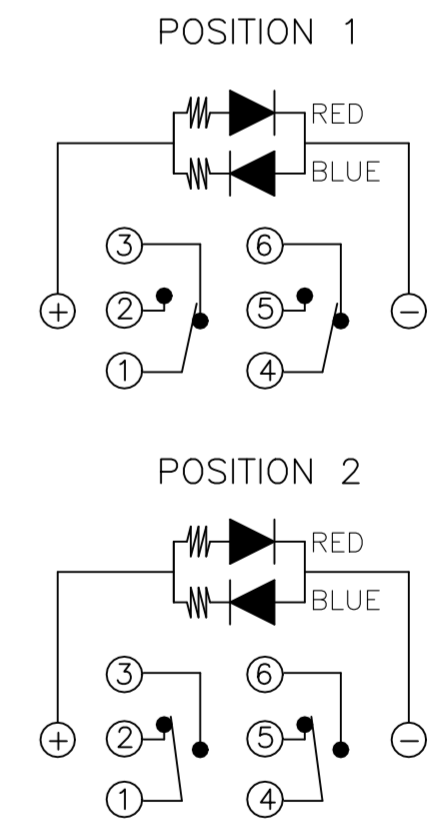
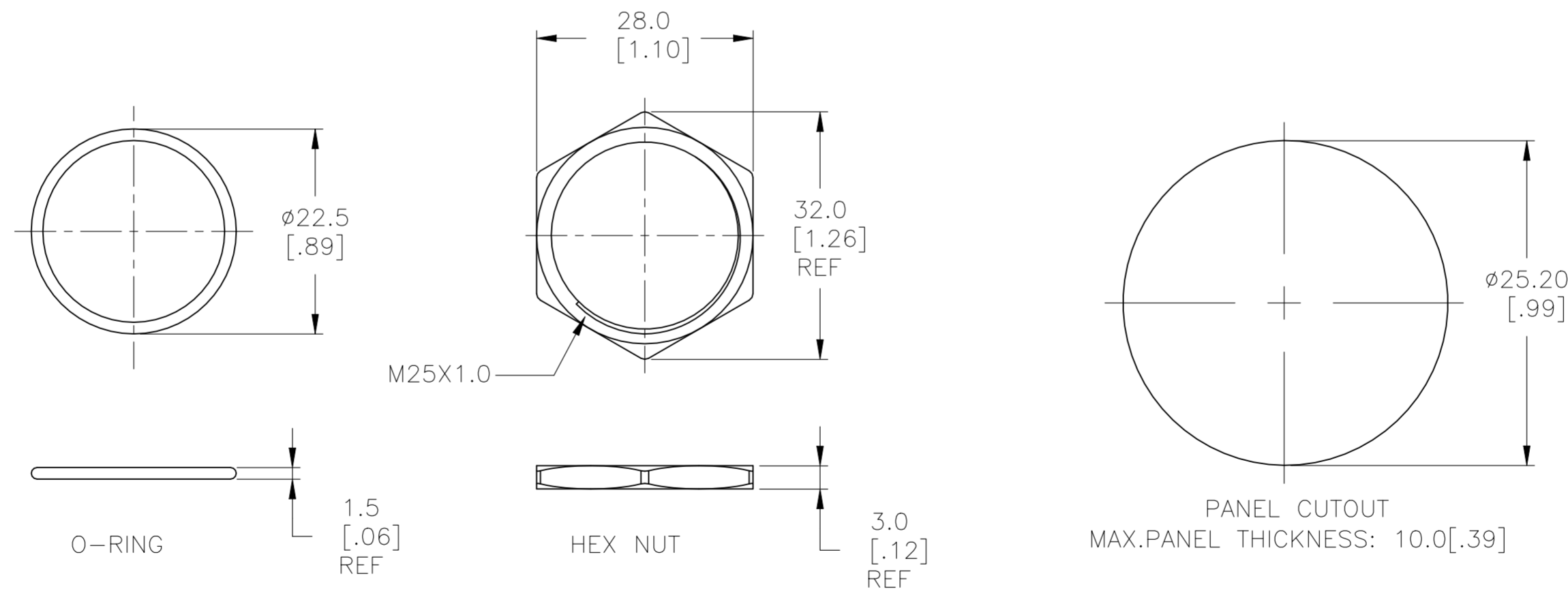
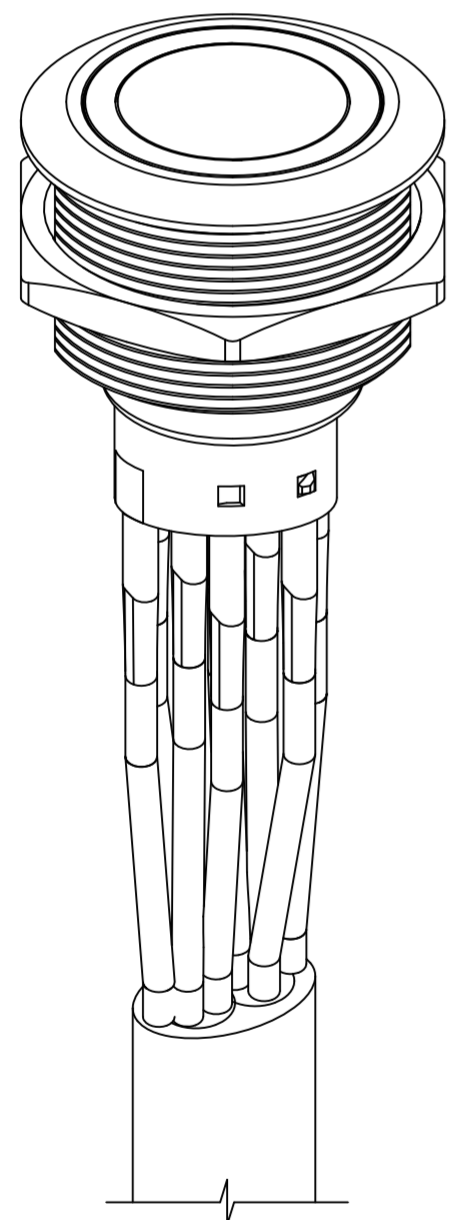
THIS DRAWING IS UNPUBLISHED. RELEASED FOR PUBLICATION  
 © COPYRIGHT - By - ALL RIGHTS RESERVED.

REVISIONS					
P	LTR	DESCRIPTION	DATE	DWN	APVD
-	-	SEE SHEET 1	-	-	-

### DOUBLE POLE SWITCH WITH DUAL COLOR LED'S AND FLYING LEADS



WIRE=18AWG, 300V(BLACK/YELLOW/GREEN/RED/PURPLE)



THIS DRAWING IS A CONTROLLED DOCUMENT.		DWN SHIVAKUMAR S S 15MAR2017																										
DIMENSIONS: mm [INCHES]		CHK SANJAY SHINDIKAR 15FEB2017																										
TOLERANCES UNLESS OTHERWISE SPECIFIED:		APVD SANJAY SHINDIKAR 15FEB2017	NAME ANTI-VANDAL SWITCH 25mm, MOVING RING LED AND FLYING LEADS																									
<table border="1"> <tr><td>0</td><td>PLC</td><td>±</td><td>-</td></tr> <tr><td>1</td><td>PLC</td><td>±</td><td>0.4[.016]</td></tr> <tr><td>2</td><td>PLC</td><td>±</td><td>0.25[.010]</td></tr> <tr><td>3</td><td>PLC</td><td>±</td><td>-</td></tr> <tr><td>4</td><td>PLC</td><td>±</td><td>-</td></tr> <tr><td colspan="2">ANGLES</td><td>±</td><td>2°</td></tr> </table>		0	PLC	±	-	1	PLC	±	0.4[.016]	2	PLC	±	0.25[.010]	3	PLC	±	-	4	PLC	±	-	ANGLES		±	2°	APPLICATION SPEC	SIZE A2	CAGE CODE 00779
0	PLC	±	-																									
1	PLC	±	0.4[.016]																									
2	PLC	±	0.25[.010]																									
3	PLC	±	-																									
4	PLC	±	-																									
ANGLES		±	2°																									
MATERIAL		FINISH	WEIGHT 0	DRAWING NO C=2317657																								
			CUSTOMER DRAWING																									
			SCALE 1:1	SHEET 2 OF 3																								
				REV A1																								

THIS DRAWING IS UNPUBLISHED. RELEASED FOR PUBLICATION  
 © COPYRIGHT - By - ALL RIGHTS RESERVED.

REVISIONS					
P	LTR	DESCRIPTION	DATE	DWN	APVD
-	-	SEE SHEET 1	-	-	-

**SPECIFICATION:**

CONTACT RATING: SILVER; 3A @ 250VAC RESISTIVE  
 GOLD; 0.4A @ 20VDC OR PEAK AC  
 INSULATION RESISTANCE: 1,000MΩ MIN AT 500VDC  
 DIELECTRIC STRENGTH: 2,000V RMS @ SEA LEVEL  
 CONTACT RESISTANCE: 50mΩ MAX @ 1A 12VDC (INITIAL VALUE), SOLDER TERMINALS  
 100mΩ MAX @ 1A 12VDC(INITIAL VALUES), FLYING LEADS.  
 ELECTRICAL LIFE CYCLES: 50,000 MAKE AND BREAK CYCLES AT FULL LOAD.  
 ACTUATION FORCE: SP: 2.5±1 N, DP: 3.5±1 N  
 ACTUATION TRAVEL: APPROXIMATELY 3.2mm  
 SEALED PER IP67, IK08  
 OPERATING TEMPERATURE: -20°C TO +55°C  
 MECHANICAL LIFECYCLES: MOMENTARY; 1,000,000 CYCLES  
 LOCKING; 500,000 CYCLES  
 HARDWARE TORQUE: 5-14 N-m.

**MATERIALS**

BUSHING: STAINLESS STEEL,  
 BASE: PBT (UL 94-V0), PC (UL 94-V2),  
 ACTUATOR: STAINLESS STEEL, PC  
 O-RING: SILICONE  
 TERMINAL/CONTACT: COPPER BASE, SILVER/GOLD PLATED,  
 HEX NUT: BRASS BASE, NICKEL PLATED,  
 WIRE:UL3385.  
 INNER ASSEMBLY: POM/PA66  
 SPRING: SPRING STEEL  
 SEALING: SILICONE

- ALL MATERIAL AND FINISHES SHALL COMPLY WITH EU DIRECTIVE 2002/95/EC OF 27JAN2003(ROHS).

CONTACT FINISH	LIGHT TYPE	TERMINAL OPTION	POLE/THROW	LED COLOR	LED VOLTAGE	TE DESCRIPTIVE PART NUMBER	TE PART NUMBER
SILVER	MOVING RING	FLYING LEADS TERMINALS	DOUBLE POLE - MOMENTARY	RED & BLUE	24	AV2520EB24T5Q04	1-2317657-2
				RED & BLUE	12	AV2520EB12T5Q04	1-2317657-1
				RED & GREEN	24	AV2520EA24T5Q04	1-2317657-0
				RED & GREEN	12	AV2520EA12T5Q04	2317657-9
			SINGLE POLE - LOCKING	RED & BLUE	24	AV2511EB24T5Q04	2317657-8
				RED & BLUE	12	AV2511EB12T5Q04	2317657-7
				RED & GREEN	24	AV2511EA24T5Q04	2317657-6
				RED & GREEN	12	AV2511EA12T5Q04	2317657-5
			SINGLE POLE - MOMENTARY	RED & BLUE	24	AV2510EB24T5Q04	2317657-4
				RED & BLUE	12	AV2510EB12T5Q04	2317657-3
				RED & GREEN	24	AV2510EA24T5Q04	2317657-2
				RED & GREEN	12	AV2510EA12T5Q04	2317657-1

THIS DRAWING IS A CONTROLLED DOCUMENT.		DWN 15MAR2017 SHIVAKUMAR S S	<b>STE</b> TE Connectivity													
DIMENSIONS: mm [INCHES]		CHK 15FEB2017 SANJAY SHINDIKAR														
TOLERANCES UNLESS OTHERWISE SPECIFIED:		APVD 15FEB2017 SANJAY SHINDIKAR	NAME ANTI-VANDAL SWITCH 25mm, MOVING RING LED AND FLYING LEADS													
<table border="1"> <tr><td>0 PLC</td><td>± -</td></tr> <tr><td>1 PLC</td><td>± 0.4[.016]</td></tr> <tr><td>2 PLC</td><td>± 0.25[.010]</td></tr> <tr><td>3 PLC</td><td>± -</td></tr> <tr><td>4 PLC</td><td>± -</td></tr> <tr><td>ANGLES</td><td>± 2'</td></tr> </table>		0 PLC	± -	1 PLC	± 0.4[.016]	2 PLC	± 0.25[.010]	3 PLC	± -	4 PLC	± -	ANGLES	± 2'	PRODUCT SPEC -	SIZE A2	CAGE CODE 00779
0 PLC	± -															
1 PLC	± 0.4[.016]															
2 PLC	± 0.25[.010]															
3 PLC	± -															
4 PLC	± -															
ANGLES	± 2'															
MATERIAL -		FINISH -	WEIGHT 0	DRAWING NO C-2317657												
CUSTOMER DRAWING			SCALE 1:1	SHEET 3 OF 3												