

4

3

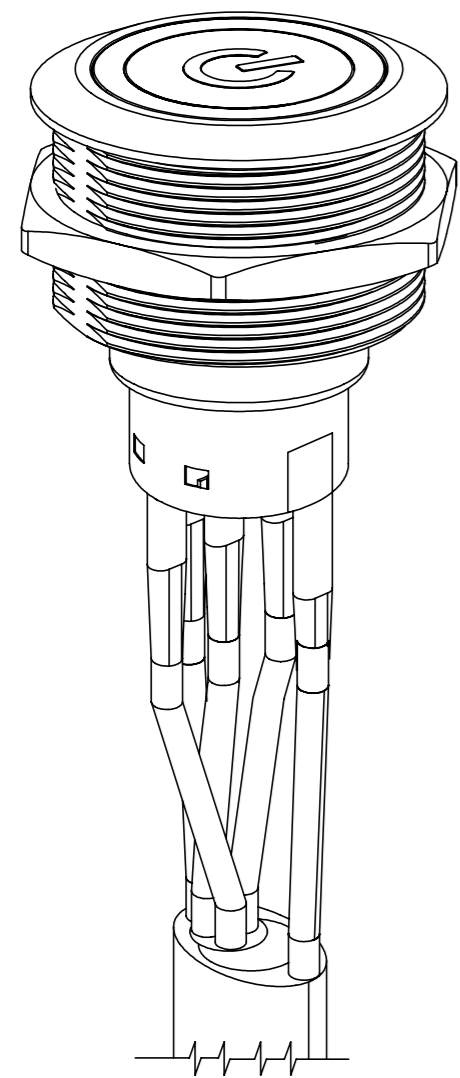
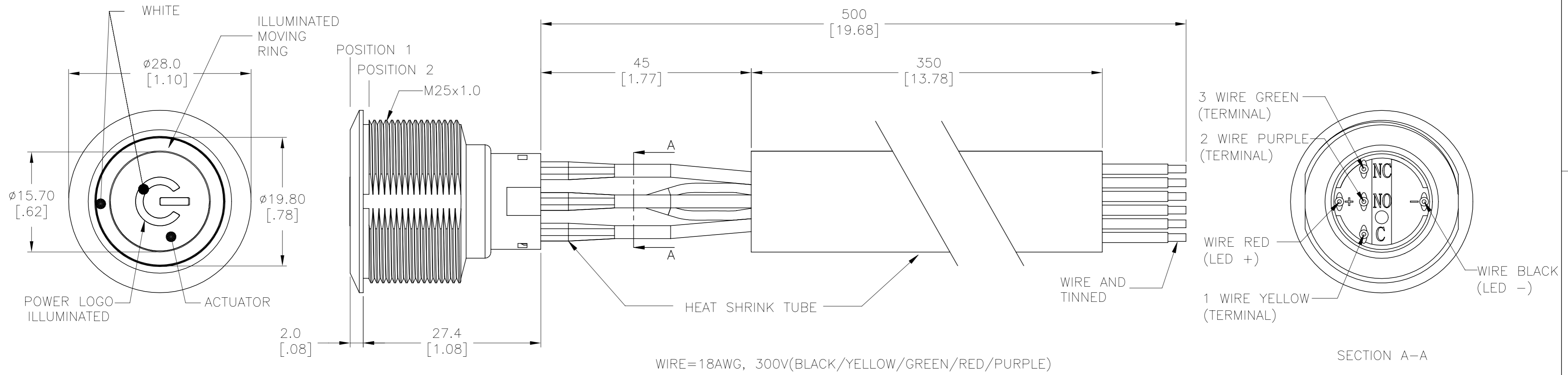
2

1

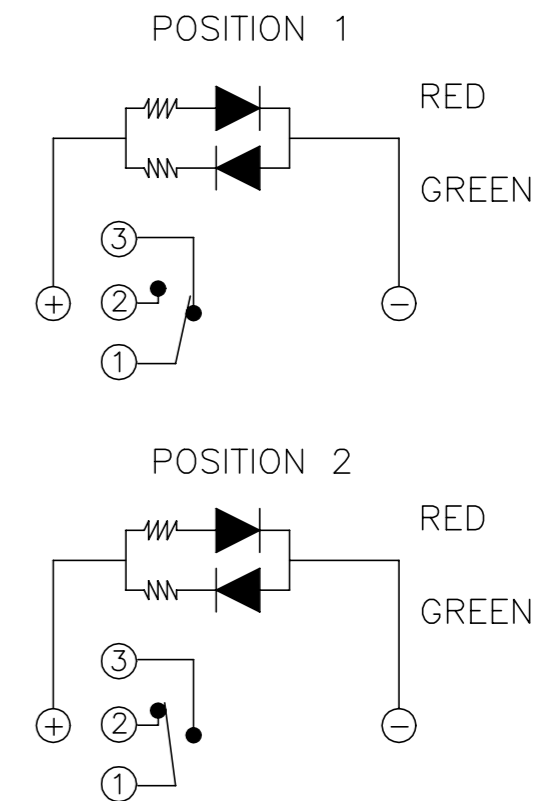
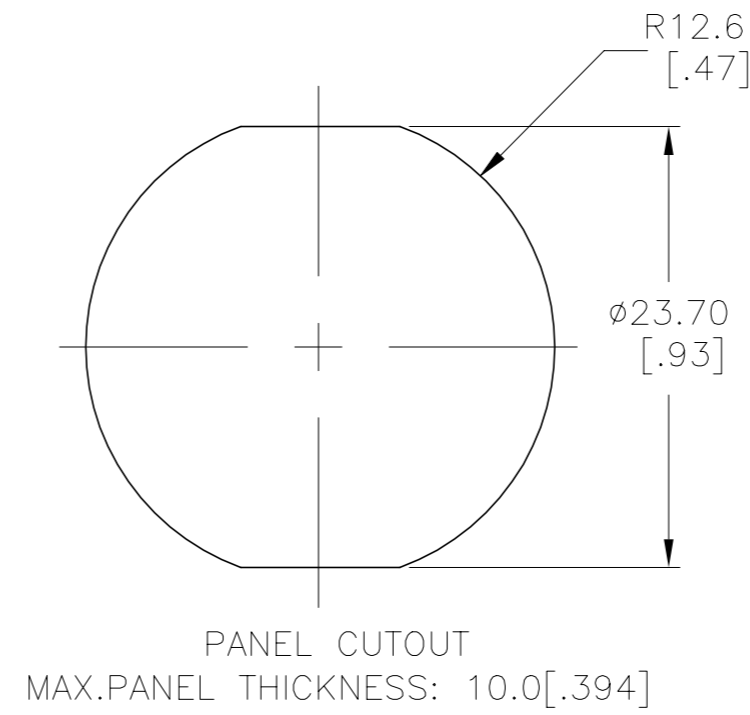
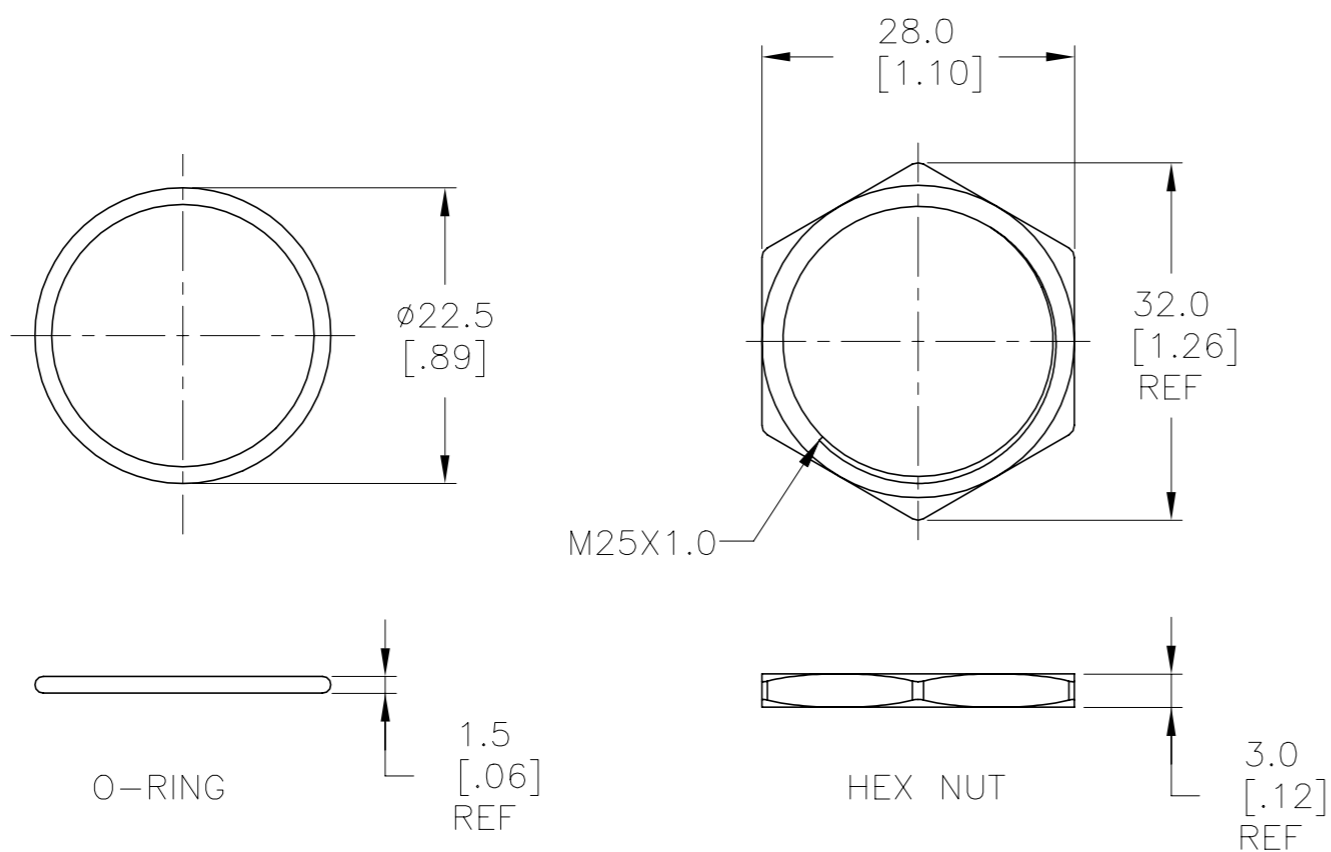
THIS DRAWING IS UNPUBLISHED. RELEASED FOR PUBLICATION. ALL RIGHTS RESERVED. © COPYRIGHT - TE Connectivity

REVISIONS					
P	LTR	DESCRIPTION	DATE	DWN	APVD
	A1	ECR-17-011745	17JUN2021	RK	AS

# SINGLE POLE SWITCH WITH DUAL COLOR LED'S AND FLYING LEADS



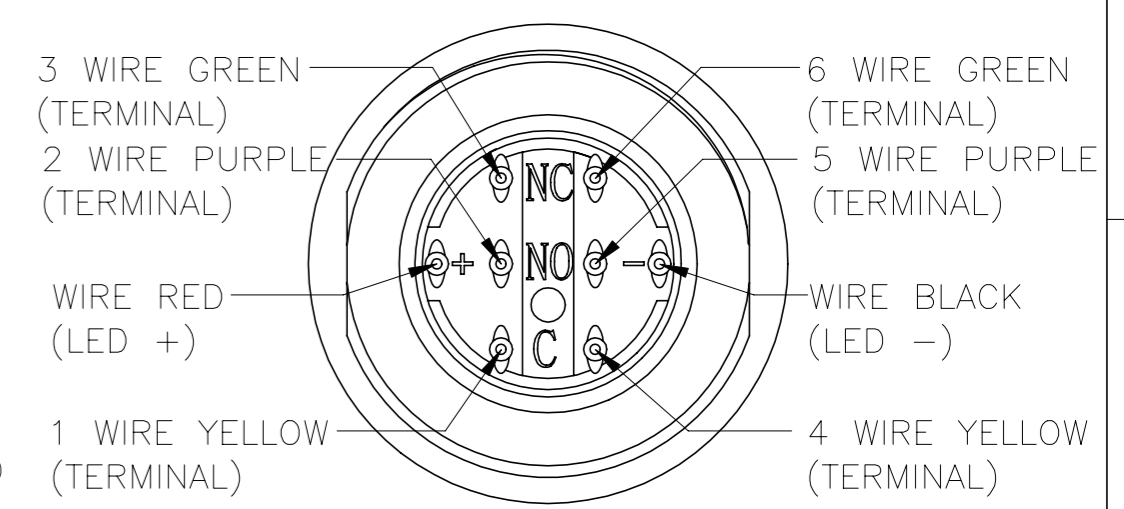
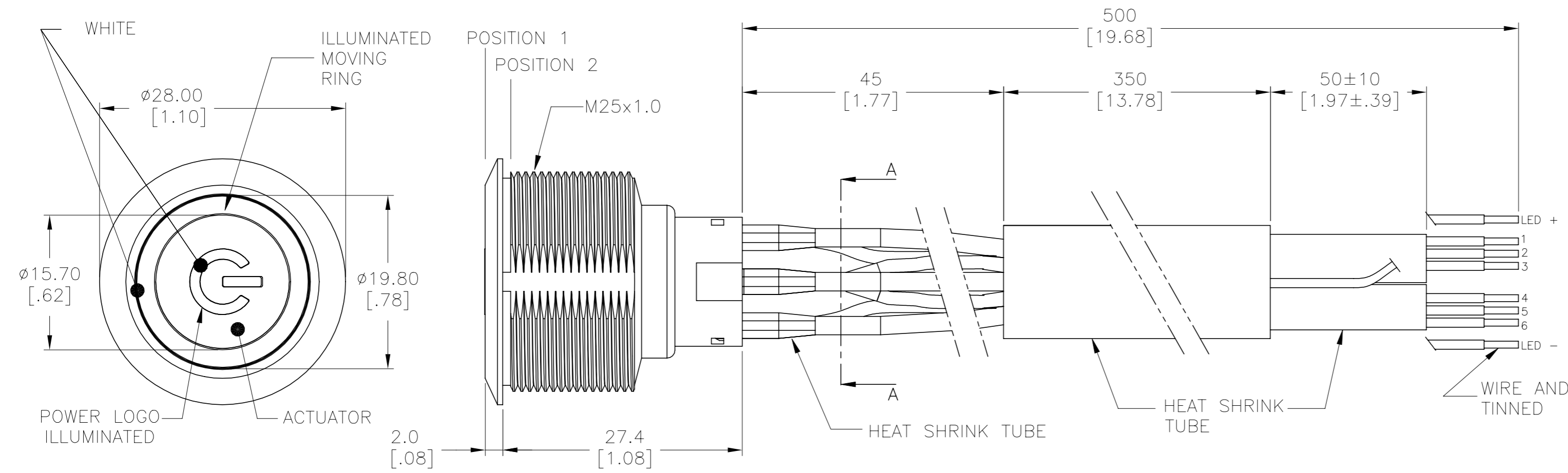
ASSEMBLED VIEW



THIS DRAWING IS A CONTROLLED DOCUMENT.		DWN SHIVAKUMAR S S 15MAR2017			
DIMENSIONS: mm [INCHES]		CHK ALEXANDER SHARPE 15FEB2017			
TOLERANCES UNLESS OTHERWISE SPECIFIED:		APVD ALEXANDER SHARPE 15FEB2017	NAME ANTI-VANDAL SWITCH 25mm, MOVING RING LED PLUS POWER LOGO AND FLYING LEADS		
0 PLC ± - 1 PLC ± 0.4[.016] 2 PLC ± 0.25[.010] 3 PLC ± - 4 PLC ± - ANGLES ± 2°		PRODUCT SPEC - APPLICATION SPEC -	SIZE A2	CAGE CODE 00779	DRAWING NO C=2317659
MATERIAL -		FINISH -	WEIGHT -	RESTRICTED TO -	SCALE 1:1
CUSTOMER DRAWING			SHEET 1 of 3	REV A1	

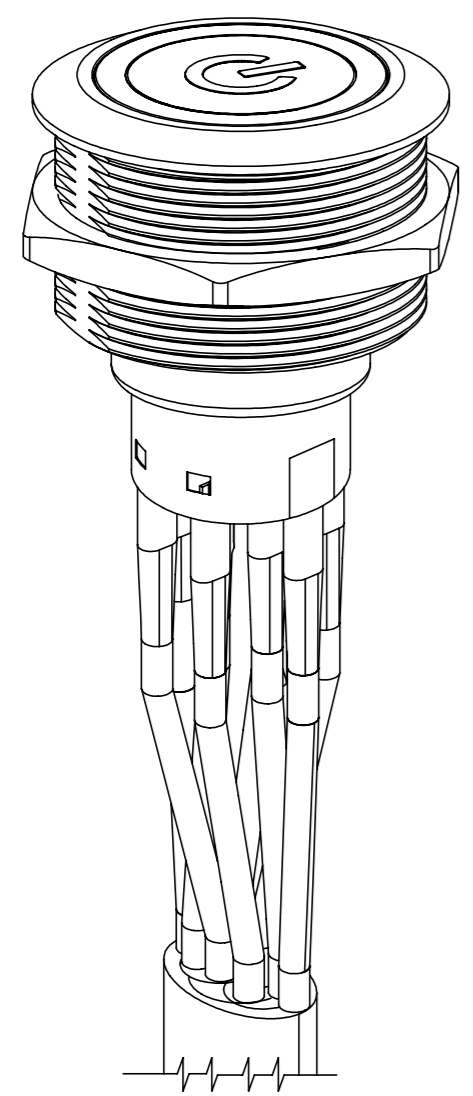
REVISIONS					
P	LTR	DESCRIPTION	DATE	DWN	APVD
-	-	SEE SHEET 1	-	-	-

# DOUBLE POLE SWITCH WITH DUAL COLOR LED'S AND FLYING LEADS

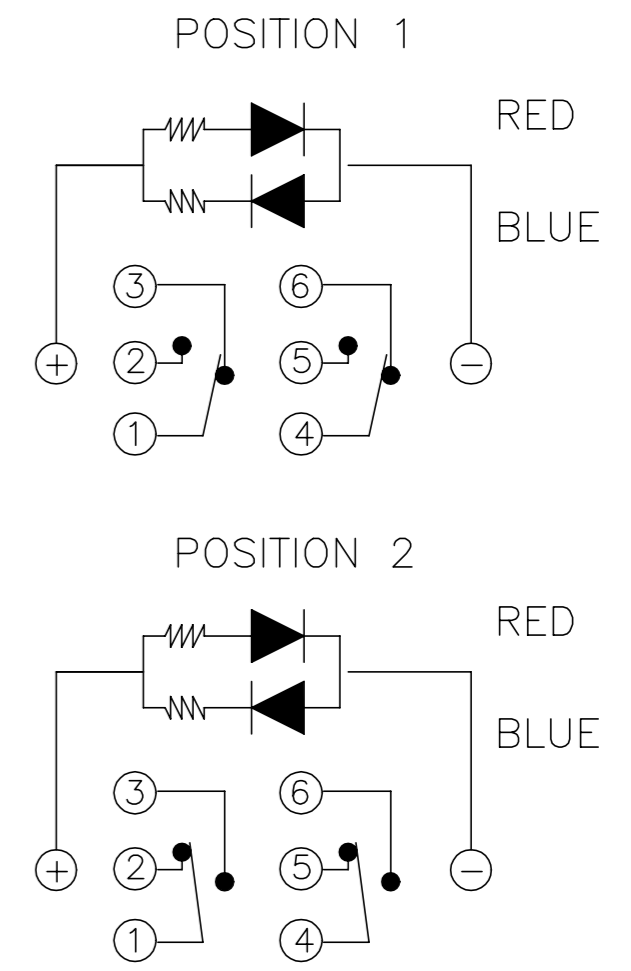
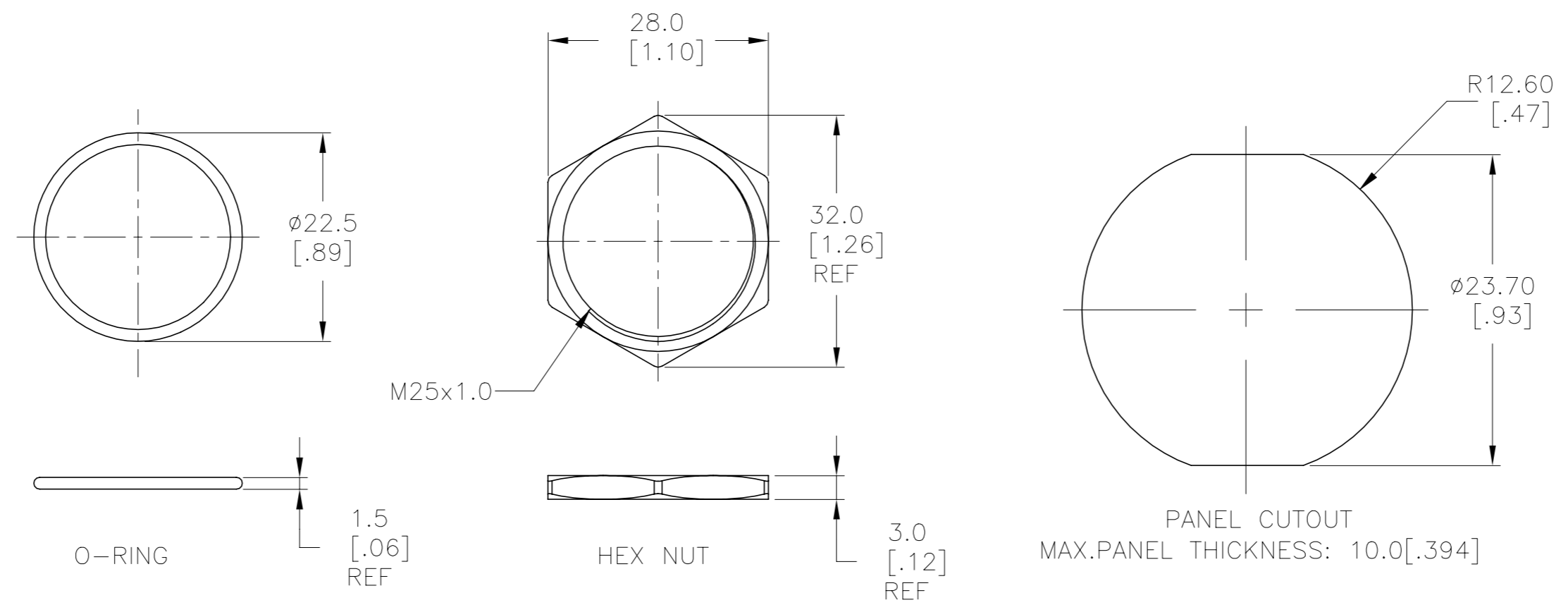


WIRE=18AWG, 300V(BLACK/YELLOW/GREEN/RED/PURPLE)

SECTION A-A



ASSEMBLED VIEW



THIS DRAWING IS A CONTROLLED DOCUMENT.		DWN SHIVAKUMAR S S 15MAR2017		
DIMENSIONS: mm [INCHES]		CHK ALEXANDER SHARPE 15FEB2017		
TOLERANCES UNLESS OTHERWISE SPECIFIED:		APVD ALEXANDER SHARPE 15FEB2017	NAME ANTI-VANDAL SWITCH 25mm, MOVING RING LED PLUS POWER LOGO AND FLYING LEADS	
0 PLC ± -	1 PLC ± 0.4[.016]	PRODUCT SPEC	SIZE	CAGE CODE
2 PLC ± 0.25[.010]	3 PLC ± -	APPLICATION SPEC	A2	00779
4 PLC ± -	ANGLES ± 2°	WEIGHT	DRAWING NO C=2317659	
MATERIAL	FINISH	CUSTOMER DRAWING	SCALE	SHEET
-	-	-	1:1	2 of 3
			REV	A1

THIS DRAWING IS UNPUBLISHED.      RELEASED FOR PUBLICATION      - , - .  
 © COPYRIGHT - TE Connectivity      ALL RIGHTS RESERVED.

REVISIONS					
P	LTR	DESCRIPTION	DATE	DWN	APVD
-	-	SEE SHEET 1	-	-	-

**SPECIFICATION:**


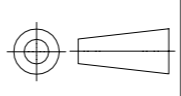
CONTACT RATING: SILVER; 3A @ 250VAC RESISTIVE  
 GOLD; 0.4A @ 20VDC OR PEAK AC  
 INSULATION RESISTANCE: 1,000MΩ MIN AT 500VDC  
 DIELECTRIC STRENGTH: 2,000V RMS @ SEA LEVEL  
 CONTACT RESISTANCE: 50mΩ MAX @ 1A 12VDC (INITIAL VALUE), SOLDER TERMINALS  
 100mΩ MAX @ 1A 12VDC (INITIAL VALUES), FLYING LEADS.  
 ELECTRICAL LIFE CYCLES: 50,000 MAKE AND BREAK CYCLES AT FULL LOAD.  
 ACTUATION FORCE: SP: 2.5±1 N, DP: 3.5±1 N  
 ACTUATION TRAVEL: APPROXIMATELY 3.2mm  
 SEALED PER IP67, IK08  
 OPERATING TEMPERATURE: -20°C TO +55°C  
 MECHANICAL LIFECYCLES: MOMENTARY; 1,000,000 CYCLES  
 LOCKING; 500,000 CYCLES  
 HARDWARE TORQUE: 5-14 N-m.

**MATERIALS**

BUSHING: STAINLESS STEEL,  
 BASE: PBT (UL 94-V0), PC (UL 94-V2),  
 ACTUATOR: STAINLESS STEEL, PC  
 INNER ASSEMBLY: POM/PA66  
 SPRING: SPRING STEEL  
 SEALING: SILICONE  
 O-RING: SILICONE,,  
 TERMINAL/CONTACT: COPPER BASE, SILVER/GOLD PLATED,  
 HEX NUT: BRASS BASE, NICKEL PLATED,  
 WIRE:UL3385.

- ALL MATERIAL AND FINISHES SHALL COMPLY WITH EU DIRECTIVE 2002/95/EC OF 27JAN2003(ROHS).

CONTACT FINISH	LIGHT TYPE	TERMINAL OPTION	POLE/THROW	LED COLOR	LED VOLTAGE	TE DESCRIPTIVE PART NUMBER	TE PART NUMBER
SILVER	MOVING RING PLUS POWER LOGO	FLYING LEADS TERMINALS	DOUBLE POLE - MOMENTARY	RED & BLUE	24V	AV2520MB24T5Q04	1-2317659-2
				RED & BLUE	12V	AV2520MB12T5Q04	1-2317659-1
				RED & GREEN	24V	AV2520MA24T5Q04	1-2317659-0
				RED & GREEN	12V	AV2520MA12T5Q04	2317659-9
			SINGLE POLE - LOCKING	RED & BLUE	24V	AV2511MB24T5Q04	2317659-8
				RED & BLUE	12V	AV2511MB12T5Q04	2317659-7
				RED & GREEN	24V	AV2511MA24T5Q04	2317659-6
				RED & GREEN	12V	AV2511MA12T5Q04	2317659-5
			SINGLE POLE - MOMENTARY	RED & BLUE	24V	AV2510MB24T5Q04	2317659-4
				RED & BLUE	12V	AV2510MB12T5Q04	2317659-3
				RED & GREEN	24V	AV2510MA24T5Q04	2317659-2
				RED & GREEN	12V	AV2510MA12T5Q04	2317659-1

THIS DRAWING IS A CONTROLLED DOCUMENT.		DWN 15MAR2017 SHIVAKUMAR S S	 TE Connectivity	
DIMENSIONS: mm [INCHES]		CHK 15FEB2017 ALEXANDER SHARPE		
TOLERANCES UNLESS OTHERWISE SPECIFIED:		APVD 15FEB2017 ALEXANDER SHARPE	NAME ANTI-VANDAL SWITCH 25mm, MOVING RING LED PLUS POWER LOGO AND FLYING LEADS	
		PRODUCT SPEC	-	
MATERIAL		APPLICATION SPEC	-	
FINISH		WEIGHT	-	
-		CUSTOMER DRAWING	SIZE A2	RESTRICTED TO -
-		SCALE 1:1	CAGE CODE 00779	DRAWING NO. 2317659
-		SHEET 3 of 3	REV A1	