

4

3

2

1

THIS DRAWING IS UNPUBLISHED. RELEASED FOR PUBLICATION
 © COPYRIGHT - TE Connectivity ALL RIGHTS RESERVED.

M SERIES RAISED ACTUATOR

REVISIONS					
P	LTR	DESCRIPTION	DATE	DWN	APVD
A		INITIAL RELEASE	29MAY2017	SK	AS
A1		REVISED PER ECO-17-015842	27OCT2017	RK	AS

Dimensions: 1.22 [.048], 2.54 [.100] TYP, 0.60 [.024] TYP, 6.00 [.236], 2.00 [.079]

Labels: ON, ALCO, 1, 2, 3, 4, 5, 6, 7, 8

DATE CODE
(MONTH/YEAR)

Dimensions: 2.80 [.110], B

Dimensions: 2.54 [.100] TYP, 1.10 [.043] TYP, 6.80 [.268], 10.80 [.425]

Formulas: $B \pm 0.10 = 2.54(P-1)$
 $[B \pm 0.004 = .1(P-1)]$

P.C.B. LAYOUT

SCHEMATIC(TYP.)

(1, 2, 3, 4, 5, 6, 7, 8,
9, 10, 12 POS AVAIL)
CIRCUIT DIAGRAM

Dimensions: 7.07 [.278] REF, 0.40 [.016], 3.40±0.30 [.134±.012], 0.70 [.028], 9.80 [.386], 0.60 [.024]

TWO POSITIONS AND LARGER

Dimensions: 0.70 [.028], 9.80 [.386], 0~0.15 [0~.006]

ONE POSITION

EDS POSITIONS: 01,02,03,04,05,06,07,08,09,10,12

SG=GULL WING SN=J STYLE

ACTUATOR: N=RAISED R=RECESSED

04Q HALOGEN FREE ROHS COMPLIANT

PACKAGING: TU=TUBE TR=TAPE AND REEL

SEAL: N=NONE S=TOP SEAL

THIS DRAWING IS A CONTROLLED DOCUMENT.		DWN 29MAY2017 SHIVAKUMAR S S	TE Connectivity	
DIMENSIONS: mm[INCHES]		CHK 12MAY2017 ALEXANDER SHARPE		
TOLERANCES UNLESS OTHERWISE SPECIFIED:		APVD 29MAY2017 ALEXANDER SHARPE	NAME	
0 PLC ± -	1 PLC ± -	PRODUCT SPEC	END STACKABLE DIP SWITCHES RAISED ACTUATOR	
2 PLC ± 0.20[.008]	3 PLC ± -	APPLICATION SPEC	SIZE	RESTRICTED TO
4 PLC ± -	ANGLES ± -		A2	
MATERIAL	FINISH	WEIGHT	CAGE CODE	DRAWING NO
-	-	-	00779	C=2319847
CUSTOMER DRAWING			SCALE 1:1	SHEET 1 OF 4
			REV A1	

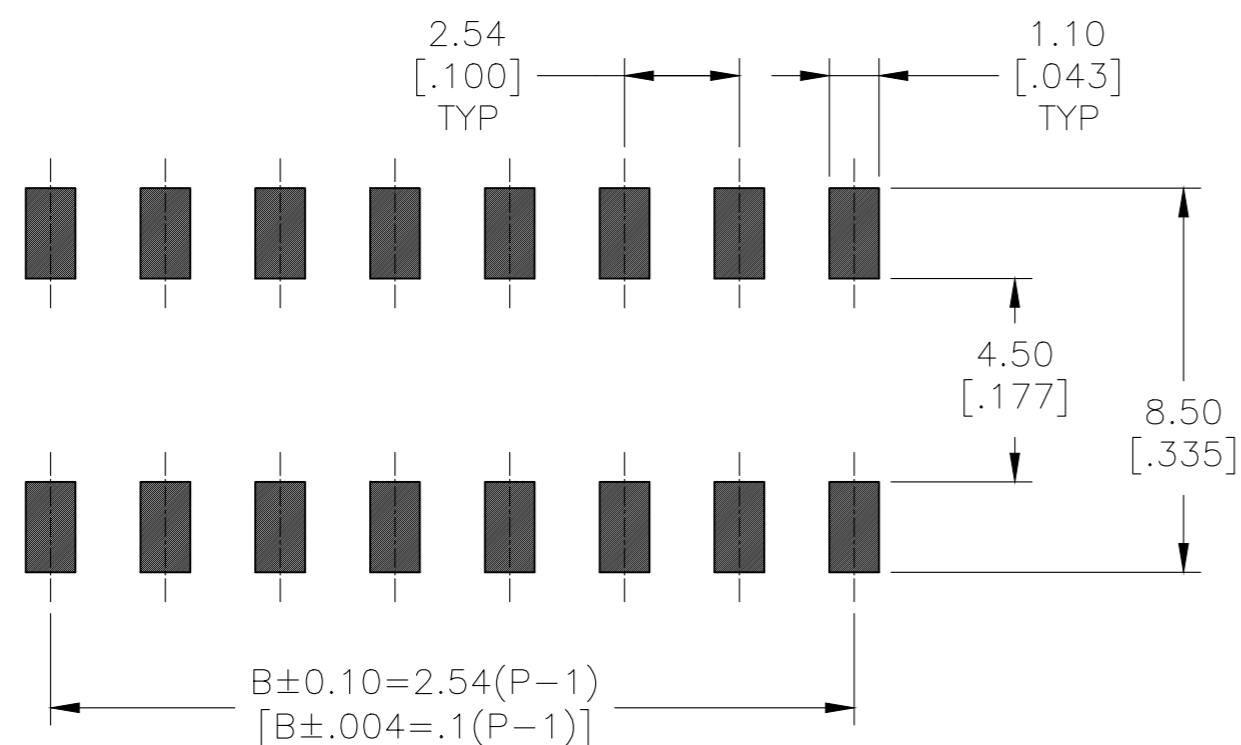
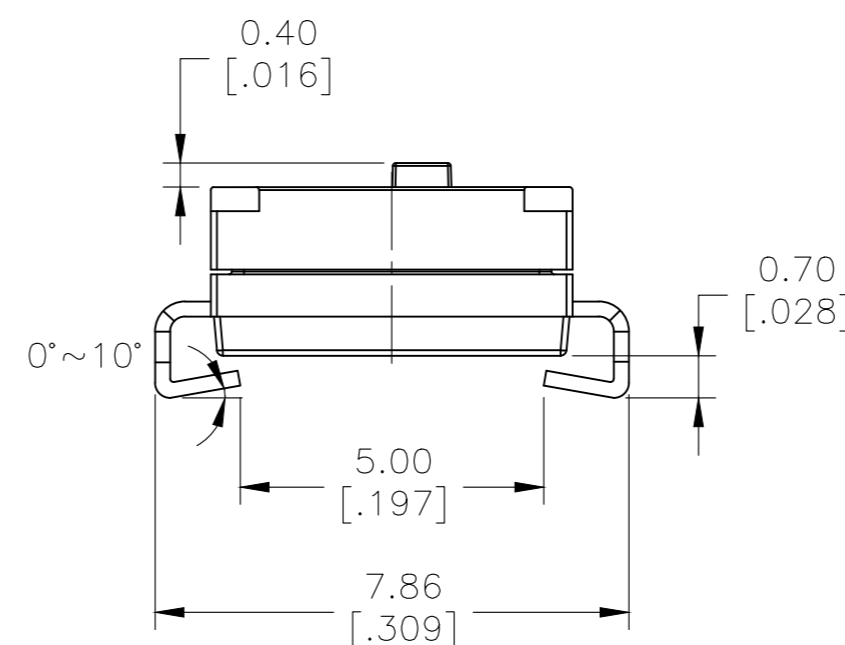
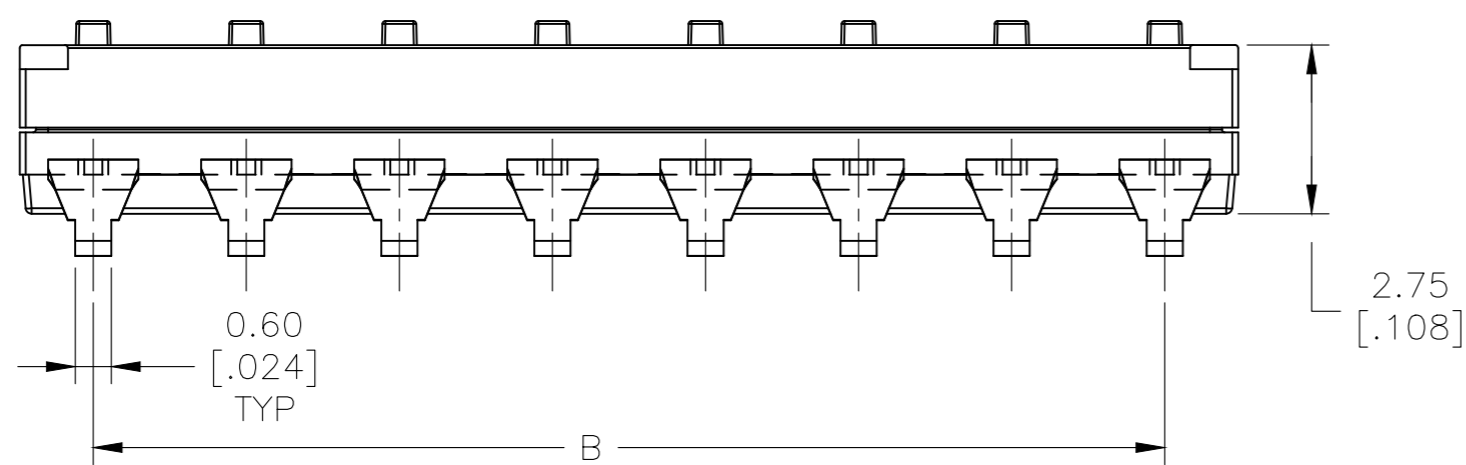
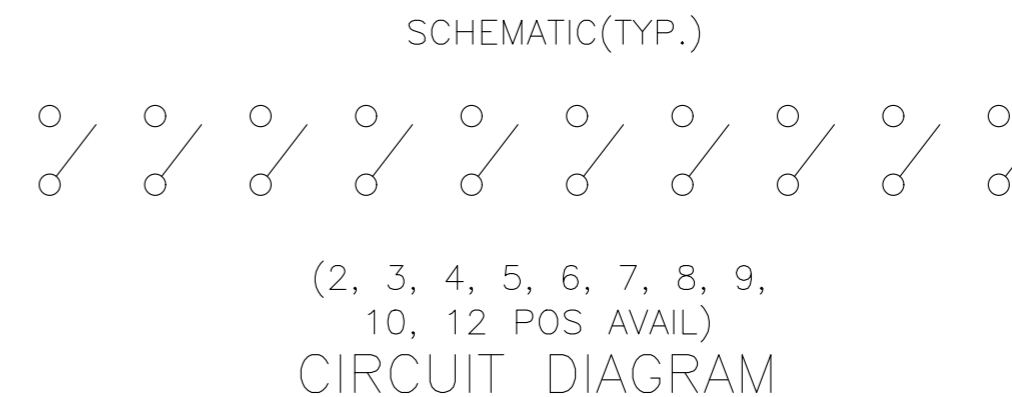
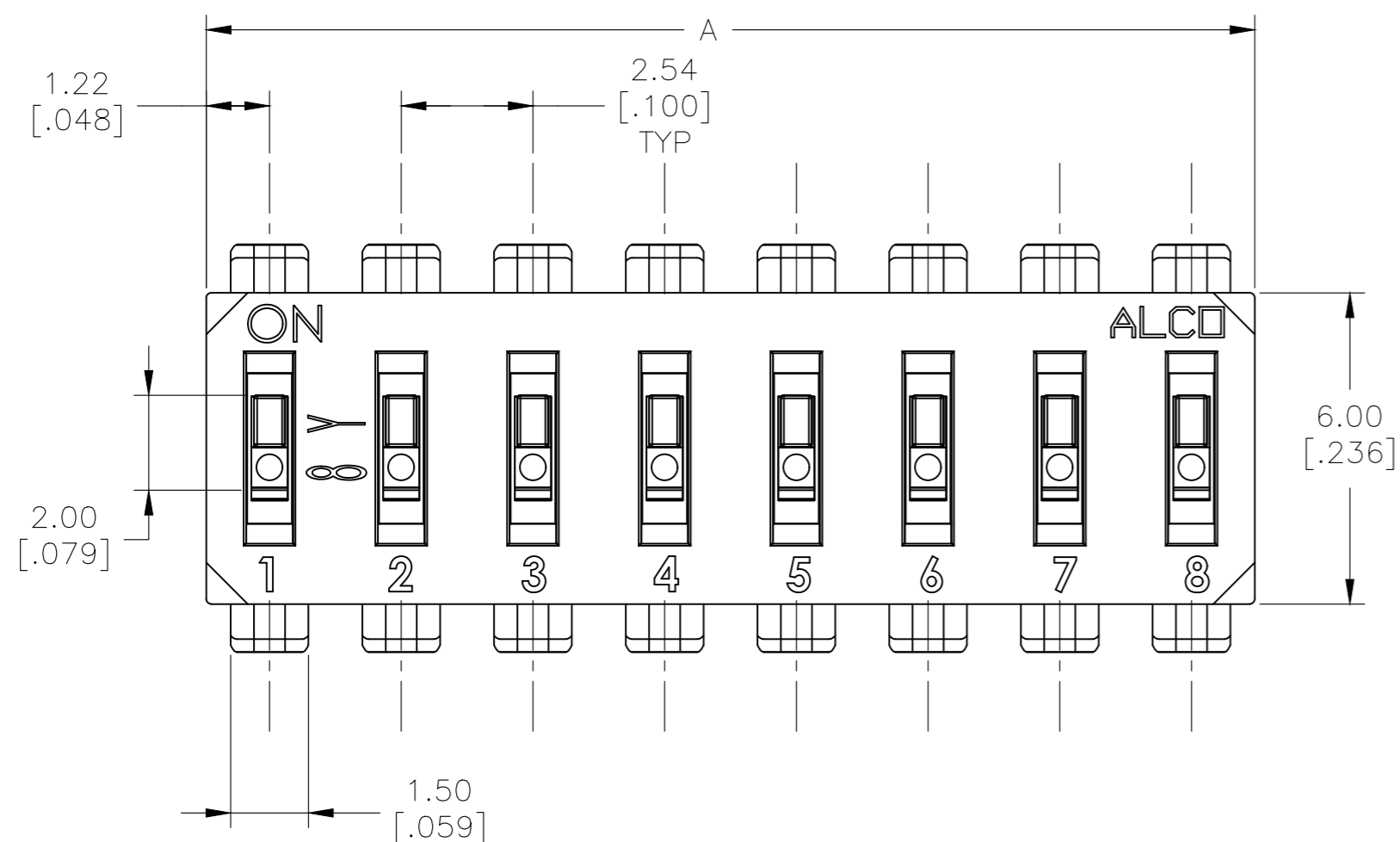
1471-9 (1/15)

2319847

THIS DRAWING IS UNPUBLISHED. RELEASED FOR PUBLICATION
 © COPYRIGHT - TE Connectivity ALL RIGHTS RESERVED.

REVISIONS				
P	LTR	DESCRIPTION	DATE	APVD
-	-	SEE SHEET 1	-	-

J SERIES RAISED ACTUATOR



P.C.B. LAYOUT

THIS DRAWING IS A CONTROLLED DOCUMENT.		DWN 29MAY2017 SHIVAKUMAR S S		
DIMENSIONS: mm[INCHES]		CHK 12MAY2017 ALEXANDER SHARPE		
TOLERANCES UNLESS OTHERWISE SPECIFIED:		APVD 29MAY2017 ALEXANDER SHARPE	NAME	
0 PLC ± -		PRODUCT SPEC		END STACKABLE DIP SWITCHES RAISED ACTUATOR
1 PLC ± -		APPLICATION SPEC		SIZE CAGE CODE DRAWING NO RESTRICTED TO
2 PLC ± 0.20[.008]		WEIGHT		A2 00779 C-2319847
3 PLC ± -		CUSTOMER DRAWING		SCALE 1:1 SHEET 2 OF 4 REV A1
4 PLC ± -				
ANGLES ± -				
FINISH				


THIS DRAWING IS UNPUBLISHED. RELEASED FOR PUBLICATION
 © COPYRIGHT - TE Connectivity ALL RIGHTS RESERVED.

REVISIONS					
P	LTR	DESCRIPTION	DATE	DWN	APVD
-	-	SEE SHEET 1	-	-	-

NOTES	SERIES	B	A	No OF POSITION	TE DESCRIPTIVE PART NUMBER	TE PART NUMBER
		DIM				
3	J	27.94 [1.100]	30.38 [1.196]	12	EDS12SNNNTR04Q	4-2319847-2
		22.86 [.900]	25.3 [.996]	10	EDS10SNNNTR04Q	4-2319847-1
		20.32 [.800]	22.76 [.896]	09	EDS09SNNNTR04Q	4-2319847-0
		17.78 [.700]	20.22 [.796]	08	EDS08SNNNTR04Q	3-2319847-9
		15.24 [.600]	17.68 [.696]	07	EDS07SNNNTR04Q	3-2319847-8
		12.70 [.500]	15.14 [.596]	06	EDS06SNNNTR04Q	3-2319847-7
		10.16 [.400]	12.60 [.496]	05	EDS05SNNNTR04Q	3-2319847-6
		7.62 [.300]	10.06 [.396]	04	EDS04SNNNTR04Q	3-2319847-5
		5.08 [.200]	7.52 [.296]	03	EDS03SNNNTR04Q	3-2319847-4
		2.54 [.100]	4.98 [.196]	02	EDS02SNNNTR04Q	3-2319847-3
	M	27.94 [1.100]	30.38 [1.196]	12	EDS12SGNNTR04Q	3-2319847-2
		22.86 [.900]	25.3 [.996]	10	EDS10SGNNTR04Q	3-2319847-1
		20.32 [.800]	22.76 [.896]	09	EDS09SGNNTR04Q	3-2319847-0
		17.78 [.700]	20.22 [.796]	08	EDS08SGNNTR04Q	2-2319847-9
		15.24 [.600]	17.68 [.696]	07	EDS07SGNNTR04Q	2-2319847-8
		12.70 [.500]	15.14 [.596]	06	EDS06SGNNTR04Q	2-2319847-7
		10.16 [.400]	12.60 [.496]	05	EDS05SGNNTR04Q	2-2319847-6
		7.62 [.300]	10.06 [.396]	04	EDS04SGNNTR04Q	2-2319847-5
		5.08 [.200]	7.52 [.296]	03	EDS03SGNNTR04Q	2-2319847-4
		2.54 [.100]	4.98 [.196]	02	EDS02SGNNTR04Q	2-2319847-3
-	2.44 [.096]	01	EDS01SGNNTR04Q	2-2319847-2		
27.94 [1.100]	30.38 [1.196]	12	EDS12SNNNTU04Q	2-2319847-1		

NOTES	SERIES	B	A	No OF POSITION	TE DESCRIPTIVE PART NUMBER	TE PART NUMBER
		DIM				
2	J	22.86 [.900]	25.3 [.996]	10	EDS10SNNNTU04Q	2-2319847-0
		20.32 [.800]	22.76 [.896]	09	EDS09SNNNTU04Q	1-2319847-9
		17.78 [.700]	20.22 [.796]	08	EDS08SNNNTU04Q	1-2319847-8
		15.24 [.600]	17.68 [.696]	07	EDS07SNNNTU04Q	1-2319847-7
		12.70 [.500]	15.14 [.596]	06	EDS06SNNNTU04Q	1-2319847-6
		10.16 [.400]	12.60 [.496]	05	EDS05SNNNTU04Q	1-2319847-5
		7.62 [.300]	10.06 [.396]	04	EDS04SNNNTU04Q	1-2319847-4
		5.08 [.200]	7.52 [.296]	03	EDS03SNNNTU04Q	1-2319847-3
		2.54 [.100]	4.98 [.196]	02	EDS02SNNNTU04Q	1-2319847-2
		M	27.94 [1.100]	30.38 [1.196]	12	EDS12SGNNTU04Q
	22.86 [.900]		25.3 [.996]	10	EDS10SGNNTU04Q	1-2319847-0
	20.32 [.800]		22.76 [.896]	09	EDS09SGNNTU04Q	2319847-9
	17.78 [.700]		20.22 [.796]	08	EDS08SGNNTU04Q	2319847-8
	15.24 [.600]		17.68 [.696]	07	EDS07SGNNTU04Q	2319847-7
	12.70 [.500]		15.14 [.596]	06	EDS06SGNNTU04Q	2319847-6
	10.16 [.400]		12.60 [.496]	05	EDS05SGNNTU04Q	2319847-5
	7.62 [.300]		10.06 [.396]	04	EDS04SGNNTU04Q	2319847-4
	5.08 [.200]		7.52 [.296]	03	EDS03SGNNTU04Q	2319847-3
	2.54 [.100]		4.98 [.196]	02	EDS02SGNNTU04Q	2319847-2
	-	2.44 [.096]	01	EDS01SGNNTU04Q	2319847-1	

THIS DRAWING IS A CONTROLLED DOCUMENT.

DWN SHIVAKUMAR S S	29MAY2017	 TE Connectivity END STACKABLE DIP SWITCHES RAISED ACTUATOR	RESTRICTED TO	
CHK ALEXANDER SHARPE	12MAY2017		SIZE	CAGE CODE
APVD ALEXANDER SHARPE	29MAY2017		DRAWING NO	00779
PRODUCT SPEC	APPLICATION SPEC		DRAWING NO	2319847
MATERIAL	FINISH	WEIGHT	A2	
CUSTOMER DRAWING		SCALE	1:1	
		SHEET	3 of 4	
		REV	A1	

REVISIONS				
P	LTR	DESCRIPTION	DATE	APVD
-	-	SEE SHEET 1	-	-

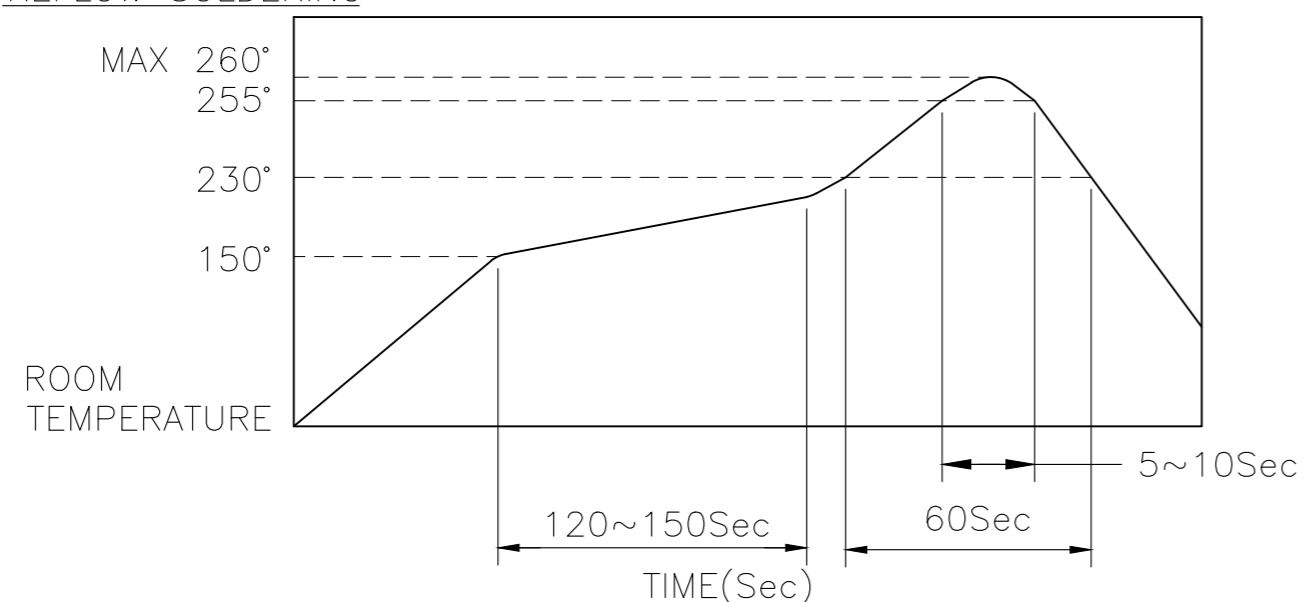
SOLDERING CONDITIONS:

THE CONDITIONS MENTIONED BELOW IS THE TEMPERATURE ON THE CU FOIL OF THE P.C.B SURFACE. DO NOT ALLOW THE SWITCH'S SURFACE TEMPERATURE TO EXCEED 260°C.

MANUAL SOLDERING

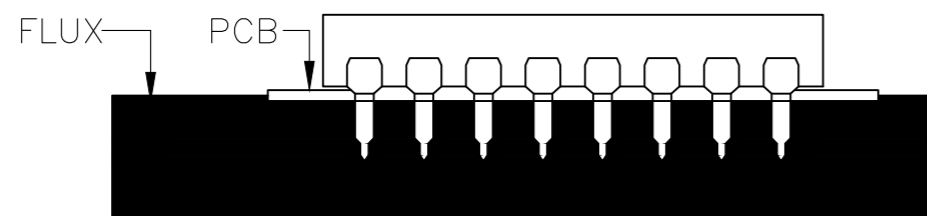
SOLDERING TEMPERATURE	MAX. 350°C.
CONTINUOUS SOLDERING TIME	MAX. 5 SECONDS.

REFLOW SOLDERING



HANDLING PRECAUTIONS

- CARE SHOULD BE EXERCISED SO THAT FLUX FROM THE UPPER PART OF THE PRINTED CIRCUIT BOARD DOES NOT ADHERE TO THE SWITCH.
- DON'T CLEAN THE SWITCH BODY EXCEPT WITH TOP TAPE SEALED TYPE, WHICH CAN ONLY SPRAY OF CLEANING METHOD FROM TOP OF S/W.
- ENSURE FLUX DOES NOT RISE ABOVE THE TOP SURFACE OF THE PCB.



SPECIFICATIONS:

MATERIALS:

BASE: PA (HIGH-TEMP. NYLON) UL94V-0
 COVER: PA (HIGH-TEMP. NYLON) UL94V-0
 ACTUATOR: LCP UL94V-0
 CONTACT: COPPER ALLOY, GOLD (in contact area)
 OVER NICKEL PLATE
 TERMINAL: BRASS ALLOY, GOLD PLATE
 TAPE: POLYAMIDE.

ELECTRICAL:

CONTACT RATING: NON-SWITCHING 100mA @ 50 VDC.
 SWITCHING: 25mA @ 24 VDC.
 INITIAL CONTACT RESISTANCE: 100mΩ MAX. @ 2 VDC. 10mA.
 INSULATION RESISTANCE: 100 MEGOHMS MIN. @ 500 VDC,
 1 MINUTE +/- 5 SECONDS.
 DIELECTRIC STRENGTH: 500 VAC (50 OR 60 HZ), 1 MINUTE.
 DURABILITY: 2,000 CYCLES.
 CAPACITANCE: 5 pF MAX @ 1 MHz +/- 10 KHz.

MECHANICAL:

OPERATING FORCE: 1000gf MAX.

ENVIRONMENTAL:

OPERATING TEMPERATURE: -20°C TO +85°C.
 STORAGE TEMPERATURE: -40°C TO +85°C.
 SOLDER HEAT RESISTANCE PER 109-201, CONDITION B.
 SOLDERABILITY PER JIS C 0050 & JIS C 0053.

NOTES:

- ALL MATERIALS AND FINISHES SHALL COMPLY WITH EU DIRECTIVE 2002/95/EC OF 27 JAN 2003 (ROHS).



TUBE PACKAGING.



TAPE AND REEL PACKAGING.

THIS DRAWING IS A CONTROLLED DOCUMENT.		DWN 29MAY2017 SHIVAKUMAR S S	TE Connectivity		
DIMENSIONS: mm[INCHES]		CHK 12MAY2017 ALEXANDER SHARPE			
TOLERANCES UNLESS OTHERWISE SPECIFIED:		APVD 29MAY2017 ALEXANDER SHARPE	NAME END STACKABLE DIP SWITCHES RAISED ACTUATOR		
0 PLC ± - 1 PLC ± - 2 PLC ± 0.20[.008] 3 PLC ± - 4 PLC ± - ANGLES ± -		PRODUCT SPEC -	SIZE A2	CAGE CODE 00779	DRAWING NO C-2319847
MATERIAL -		FINISH -	WEIGHT	RESTRICTED TO -	SCALE 1:1
CUSTOMER DRAWING			SHEET 4 OF 4	REV A1	