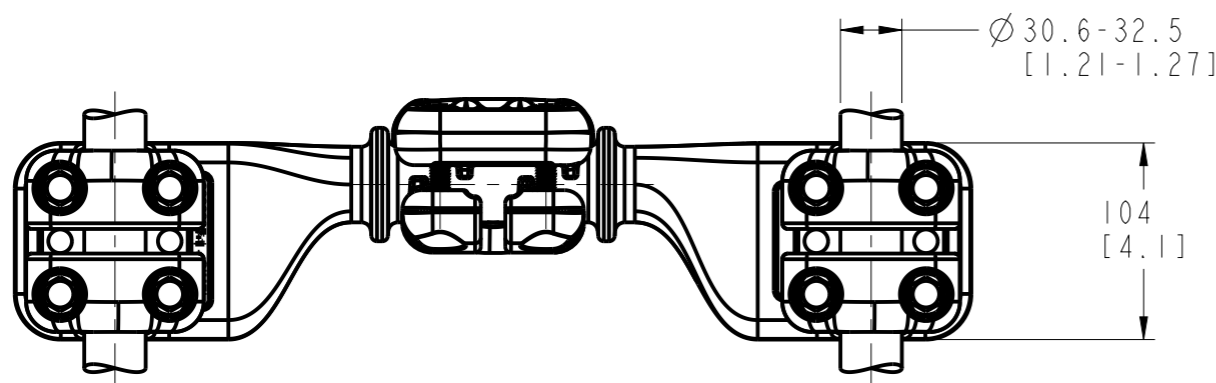
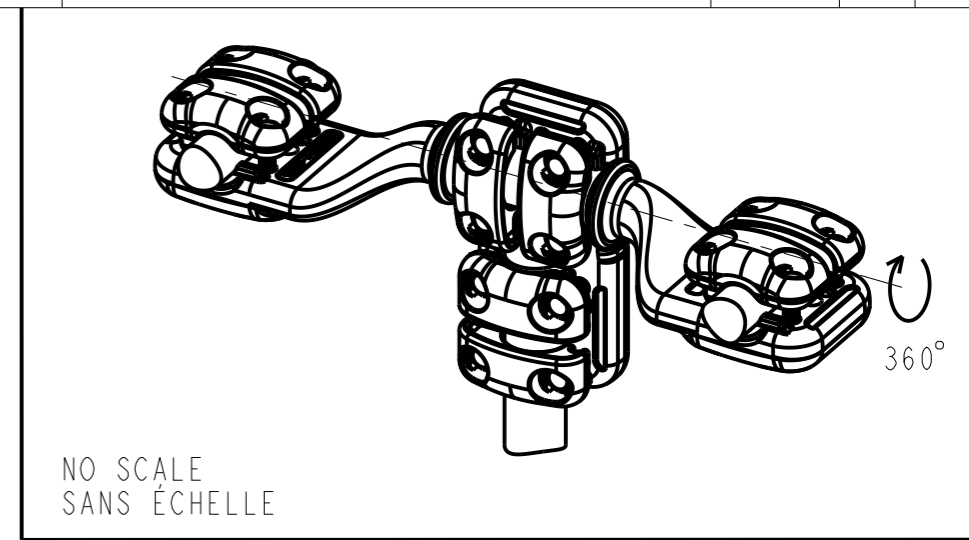
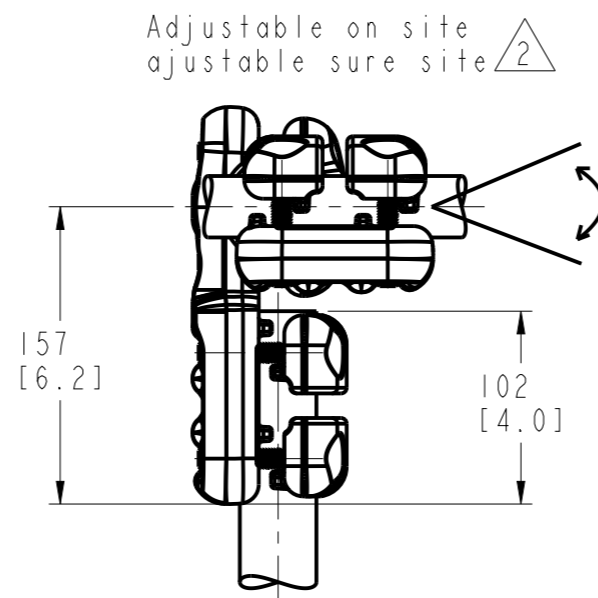
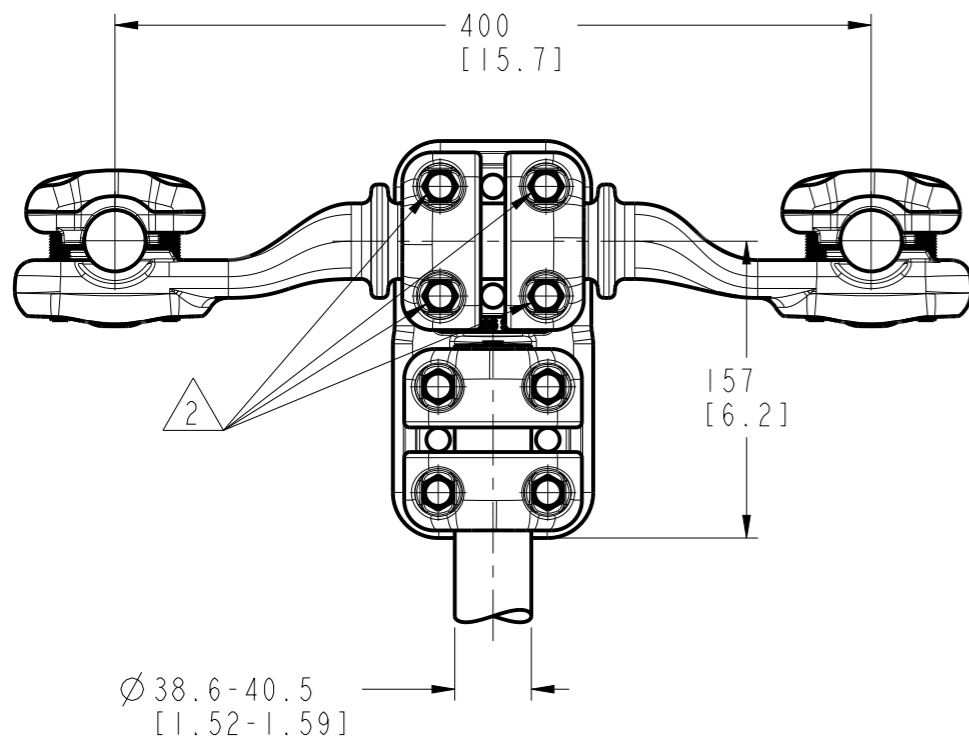


P	LTR	DESCRIPTION	DATE	DWN	APVD
A		INITIAL REL. PER LC20-0109-20	13NOV2020	BM	MP



Notes:

- 1. All connector bolts are M10 A2 stainless steel.
M10 bolts to be tightened to 37Nm / 27.3ft-lb torque.

Tous les boulons de connecteur sont en acier inoxydable A2 M10.
Boulons M10 à serrer au couple de 37 Nm / 27.3ft-lb.

- 2. In case of loosening, contact surfaces must be cleaned and greased
Refer to installation instruction

En cas de desserrage, les surfaces de contact doivent être nettoyées
et graissées
Se référer à la notice d'installation

2319975-1
PART NO.

THIS DRAWING IS A CONTROLLED DOCUMENT.		DWN BHARATH B M 13NOV2020	TE Connectivity		
DIMENSIONS: mm[inch]		CHK J. GUPPY 13NOV2020			
TOLERANCES UNLESS OTHERWISE SPECIFIED:		APVD M. PREVOT 13NOV2020	NAME ADJUSTABLE CONNECTOR RACCORD AJUSTABLE 5 CTA 82 F M325 E400 M405		
0 PLC ± 1 PLC ± 2 PLC ± 3 PLC ± 4 PLC ± ANGLES ±		PRODUCT SPEC 108-69096-001	SIZE A3	CAGE CODE 00779	DRAWING NO C=2319975-1
MATERIAL		FINISH	WEIGHT 5.2 kg/11.5 lbs	RESTRICTED TO	
			CUSTOMER DRAWING	SCALE 1:4	SHEET 1 OF 1
				REV A	