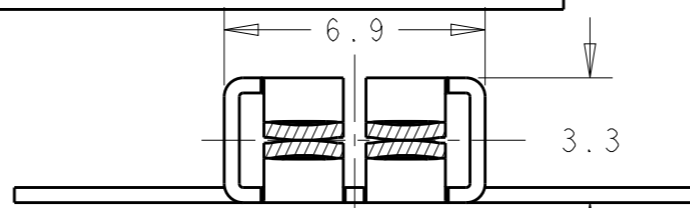


THIS DRAWING IS UNPUBLISHED. RELEASED FOR PUBLICATION
COPYRIGHT - BY - ALL RIGHTS RESERVED.

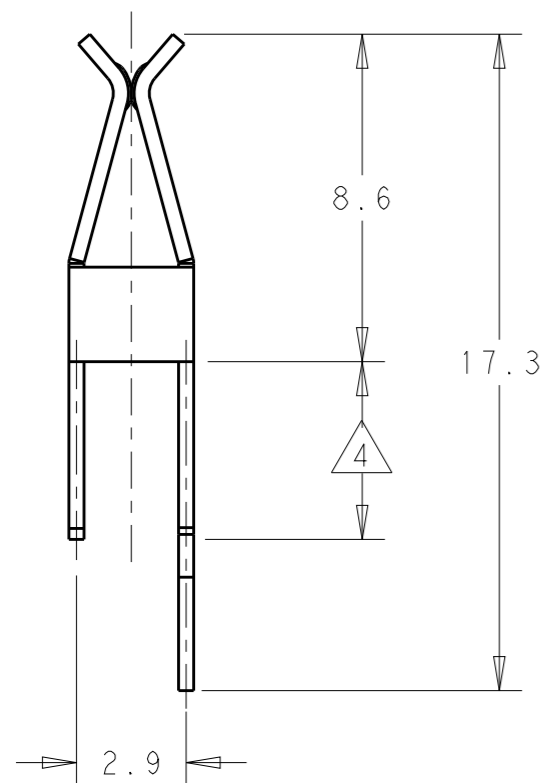
REVISIONS

| P | LTR | DESCRIPTION | DATE | DWN | APVD |
|---|-----|------------------|-----------|-----|------|
| | A | INITIAL RELEASED | 10MAY2017 | KD | RR |

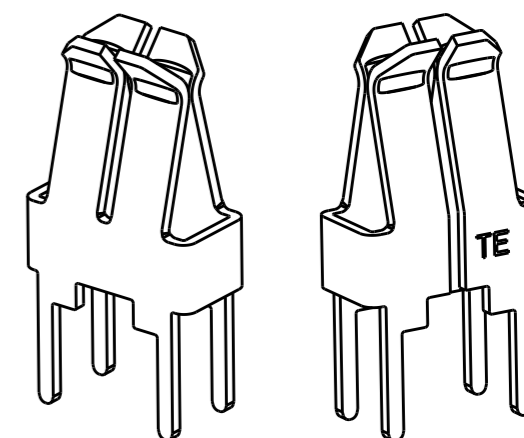
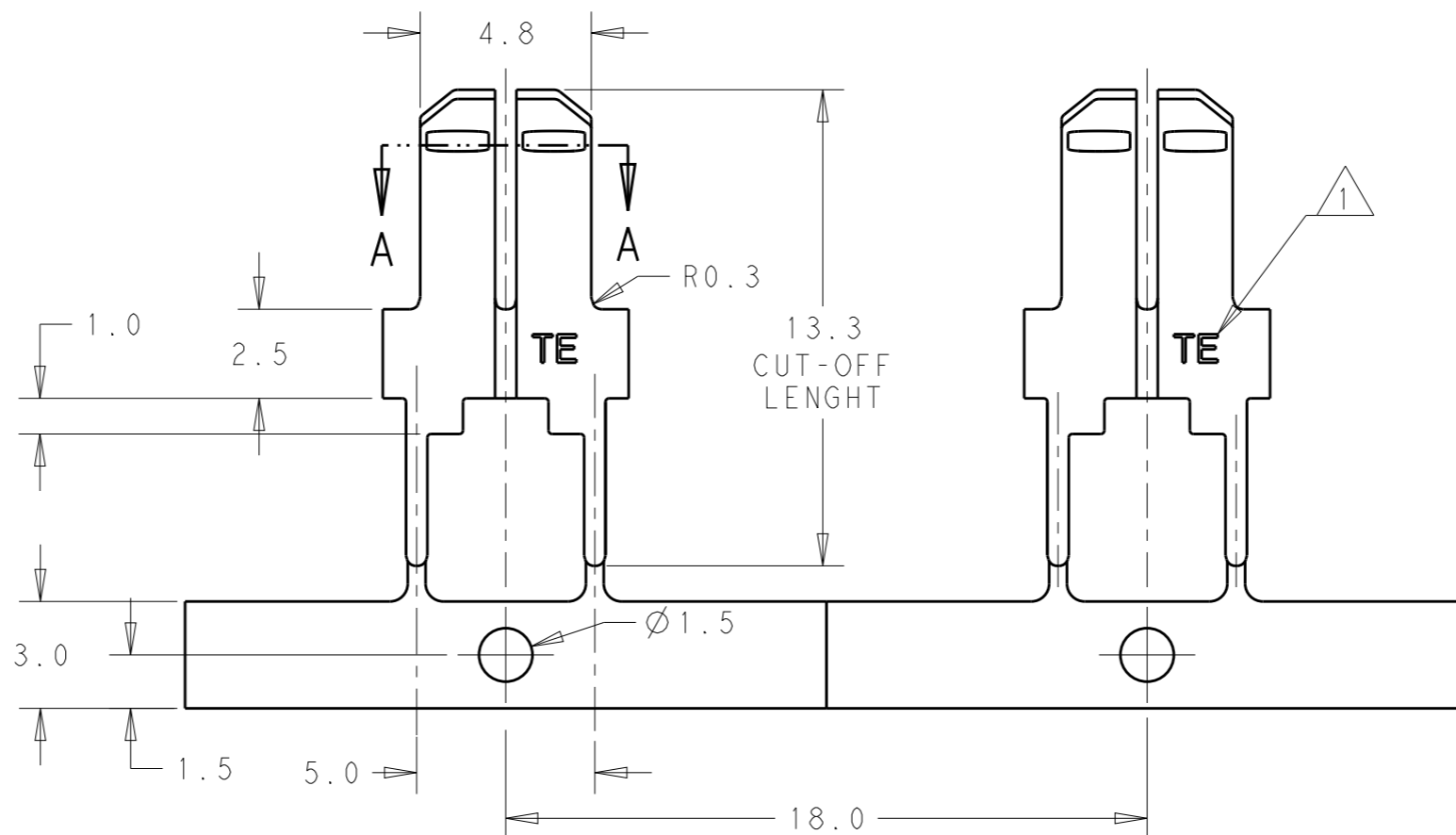
- 1 TE TRADE MARK
- 2 PRETINNED 2 μm MIN. ALL OVER



SECTION A-A
SCALE 5:1

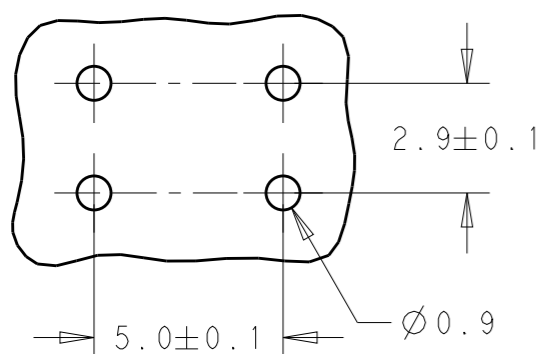
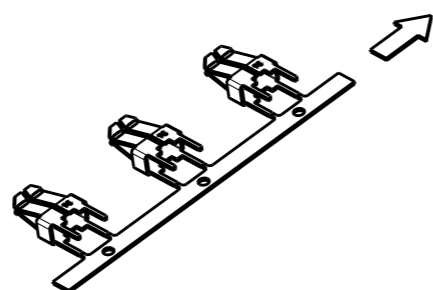


P.C.B. LAYOUT



SCALE 4:1

DIRECTION OFF TOP OF REEL



| | | | |
|-------------|----------------|------------|-----|
| PRETINNED 2 | PHOSPHORBRONZE | 3-188685-2 | A |
| FINISH | MATERIAL | PN | REV |

| | | | | |
|--|--|---|--|-------|
| THIS DRAWING IS A CONTROLLED DOCUMENT. | | DWN KD.CHEON 10MAY2017 | STE TE Connectivity | |
| DIMENSIONS: mm | | CHK F.LUPO 11MAY2017 | | |
| TOLERANCES UNLESS OTHERWISE SPECIFIED: | | APVD R.ROBONE 11MAY2017 | NAME STANDARD TIMER CONTACT FOR P.C.B. APPLICATION | |
| 0 PLC ±- | | PRODUCT SPEC | - | |
| 1 PLC ±0.3 | | APPLICATION SPEC | - | |
| 2 PLC ±0.01 | | WEIGHT | - | |
| 3 PLC ±0.001 | | CUSTOMER DRAWING | - | |
| 4 PLC ±0.0001 | | SCALE 5:1 | SHEET 1 OF 1 | REV A |
| ANGLES ±- | | SIZE A3 CAGE CODE 00779 DRAWING NO. C-2320045 RESTRICTED TO - | | |
| FINISH SEE TABLE | | - | | |