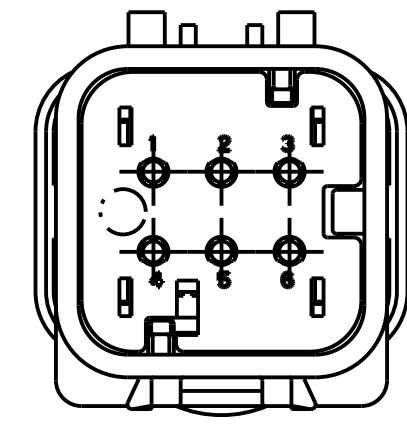
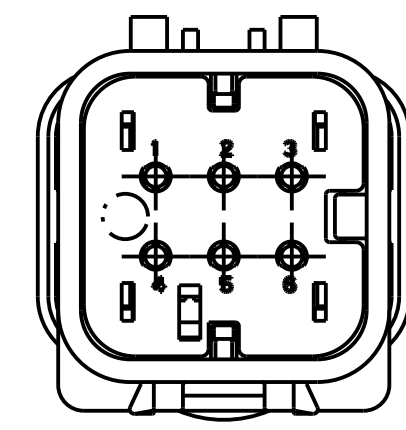


THIS DRAWING IS UNPUBLISHED. RELEASED FOR PUBLICATION. ALL RIGHTS RESERVED.

REVISIONS				
P	LTR	DESCRIPTION	DATE	APVD
A		NEW RELEASE	07APR2021	MK BC

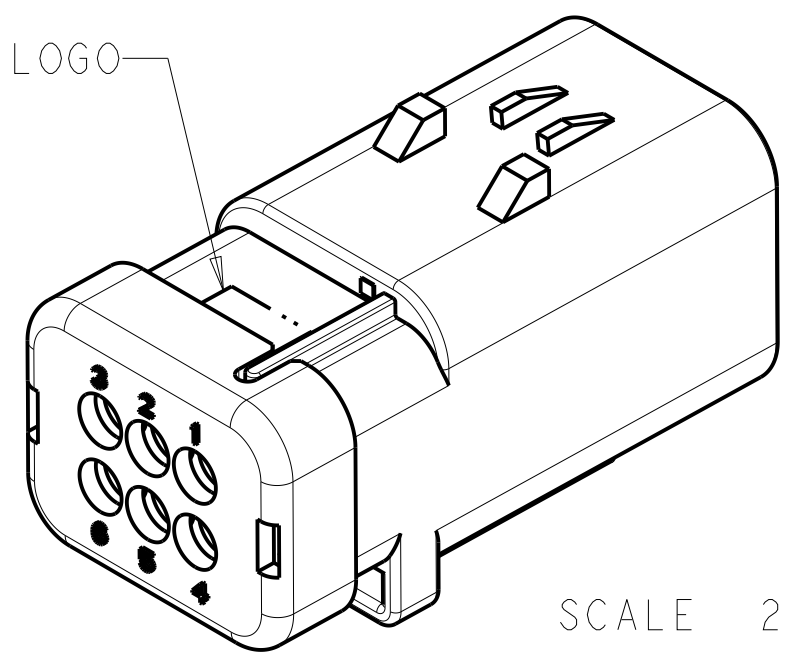


2320916-2 SHOWN
SCALE 2:1
KEY B

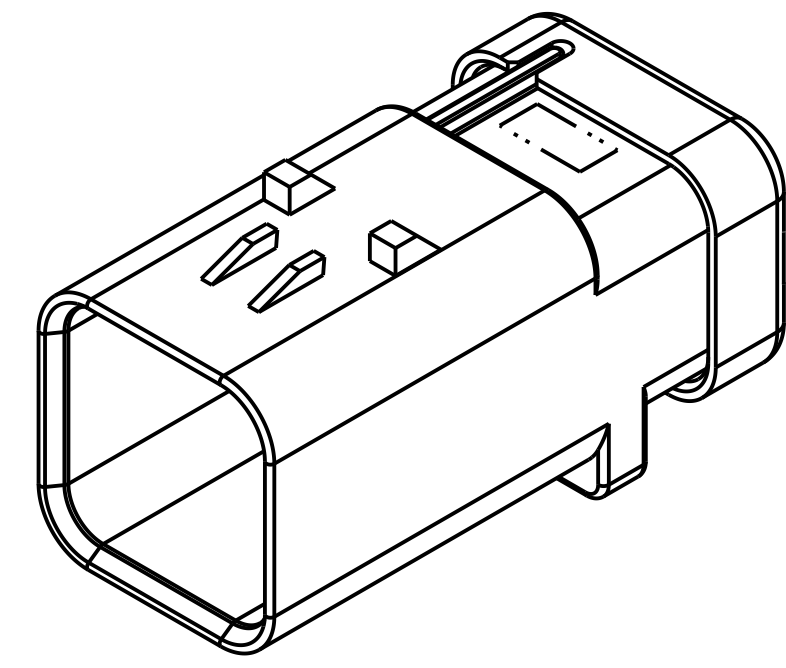


2320916-3 SHOWN
SCALE 2:1
KEY C

COMPANY LOGO



SCALE 2:1



1 MATERIAL: 15% FIBERGLASS REINFORCED PBT
COLOR: GRAY

2 MATERIAL: 15% FIBERGLASS REINFORCED PBT
COLOR: (SEE TABLE)

3 MATERIAL: SILICONE
COLOR: MARINE BLUE

4. RECOMMENDED WIRE DIAMETER RANGE IS 2.18 TO 3.67mm.

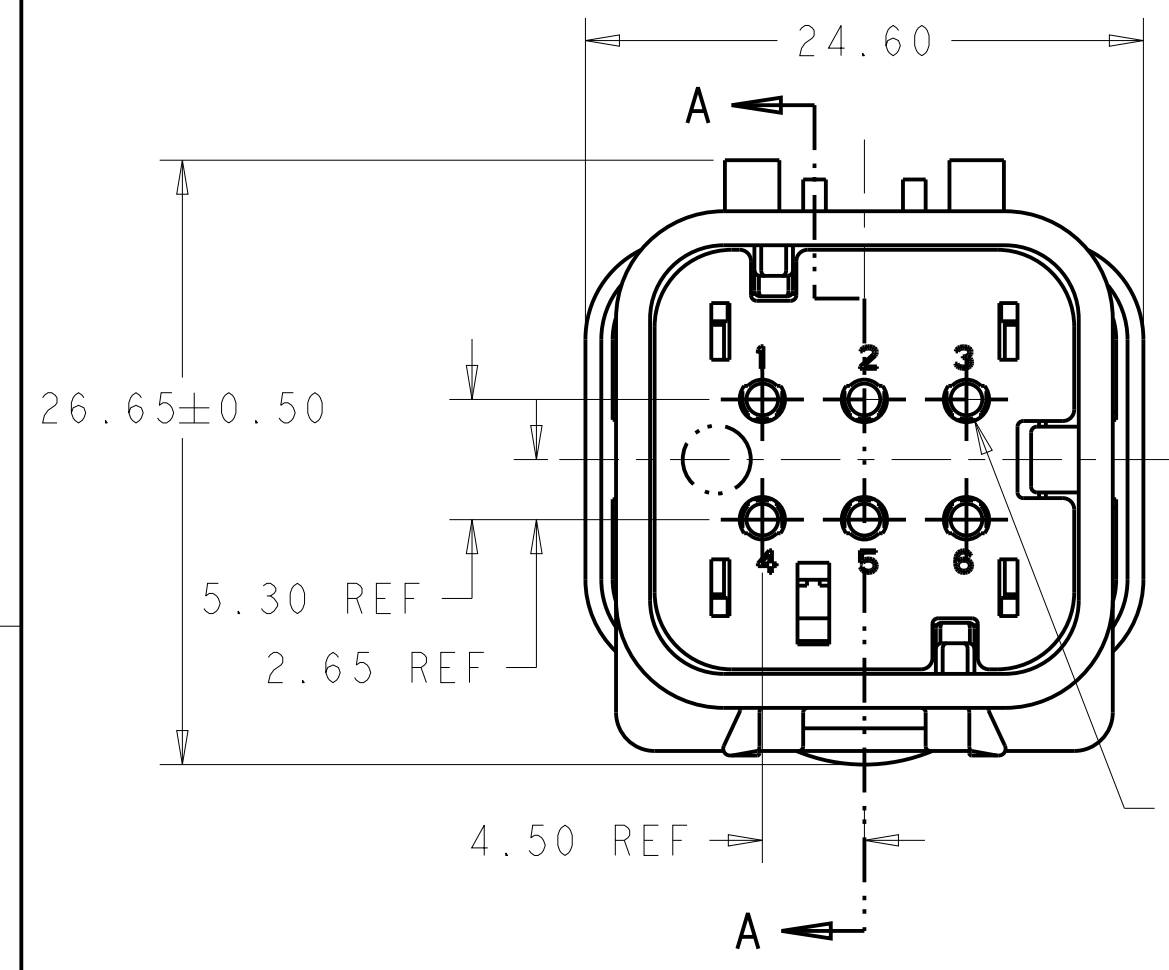
5. RECOMMENDED BACKSHELLS:

- STRAIGHT EXIT
- A. 2292863-1 SMOOTH WIRE EXIT
 - B. 2292863-2 NCI6/NWI3 CONDUIT WIRE EXIT
 - C. 2292863-3 NCI2/NWI0 CONDUIT WIRE EXIT

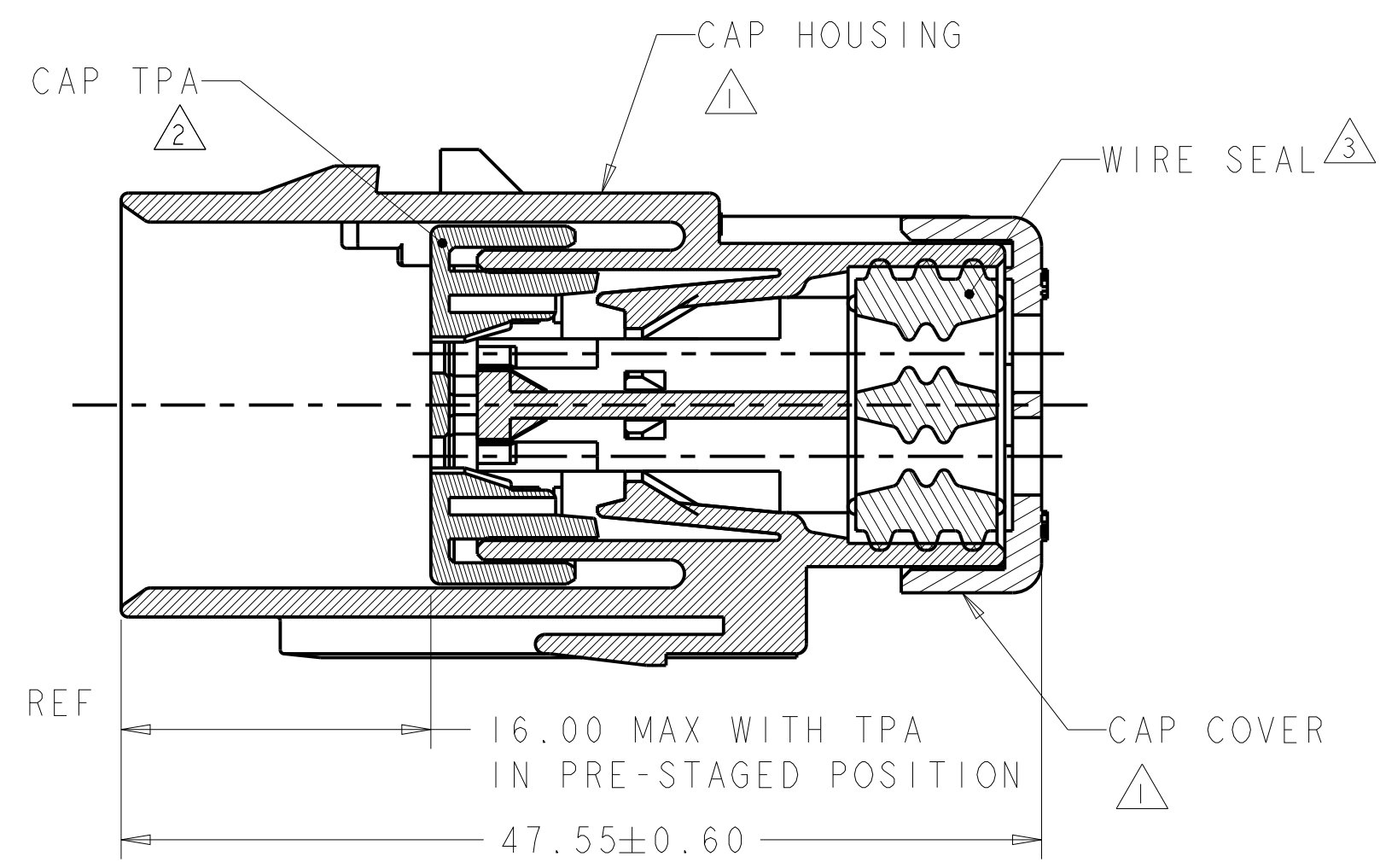
- 90° EXIT
- D. 2302484-1 SMOOTH WIRE EXIT
 - E. 2302484-2 NCI6/NWI3 CONDUIT WIRE EXIT
 - F. 2302484-3 NCI2/NWI0 CONDUIT WIRE EXIT

6. RECOMMENDED SEAL PLUG: 776363-1

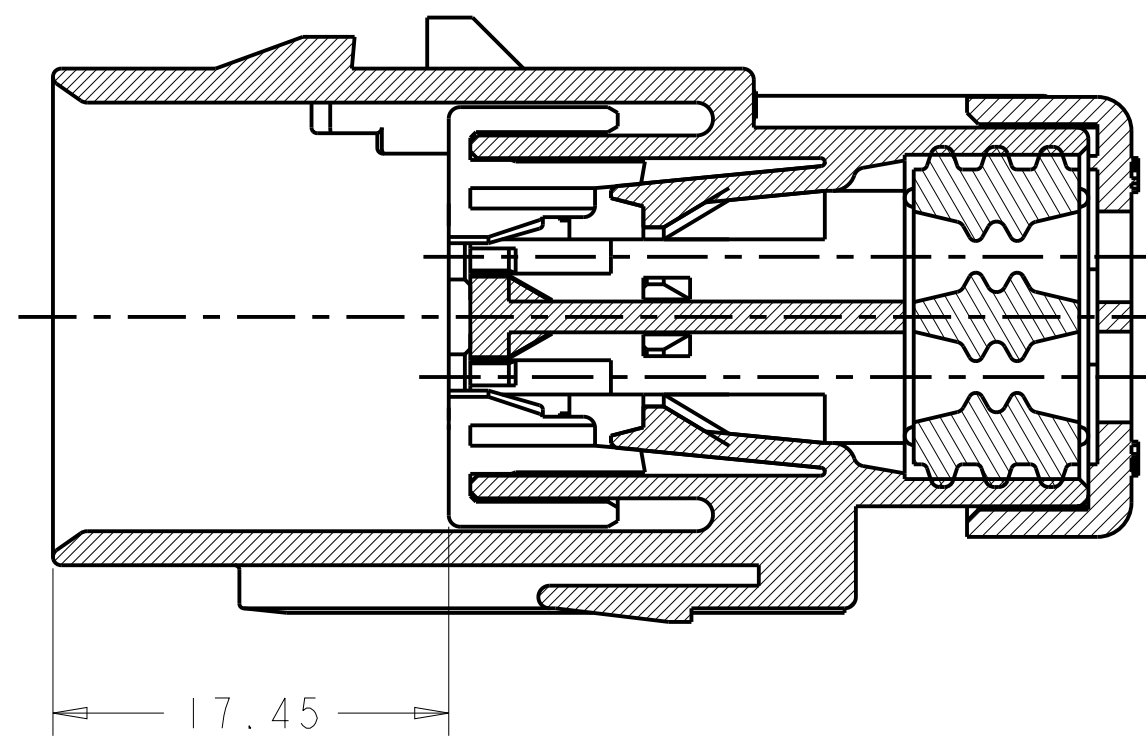
7. MATING CONNECTOR: 2320923-X.



2320916-1 SHOWN
KEY A



SECTION A-A



SECTION A-A
WITH TPA IN CLOSED POSITION

C	PURPLE	2320916-3
B	BLUE	2320916-2
A	TAN	2320916-1
KEY	TPA COLOR	PART NUMBER

THIS DRAWING IS A CONTROLLED DOCUMENT.

DIMENSIONS:	TOLERANCES UNLESS OTHERWISE SPECIFIED:	DWN	J. MCNEAL	05MAR2018
mm	0 PLC ±	CHK	R. BALTER	05MAR2018
	1 PLC ±	APVD	R. BALTER	05MAR2018
	2 PLC ±0.30	PRODUCT SPEC	108-32602	
	3 PLC ±	APPLICATION SPEC	114-32362	
	4 PLC ±	WEIGHT	15.5	
	ANGLES ±	CUSTOMER DRAWING		
	FINISH -			

STE TE Connectivity

NAME: CAP ASSEMBLY, 6 POSITION, STD DIA SEAL, HIGH TEMP, AMPSEAL 16

SIZE	CAGE CODE	DRAWING NO	RESTRICTED TO
A2	-	C-2320916	-

SCALE 1:1 SHEET OF REV A