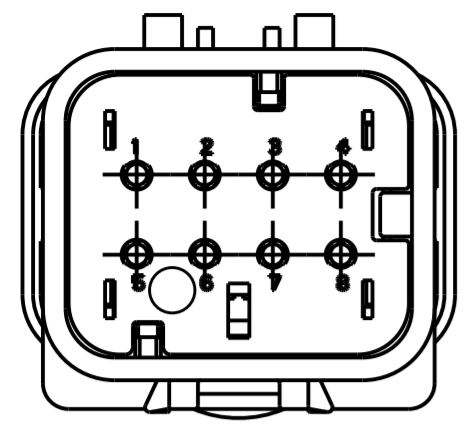
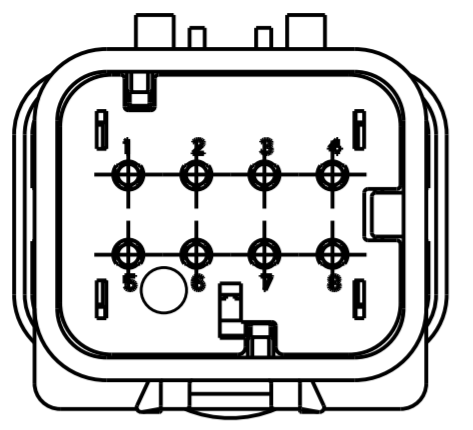


THIS DRAWING IS UNPUBLISHED  
RELEASED FOR PUBLICATION  
ALL RIGHTS RESERVED.

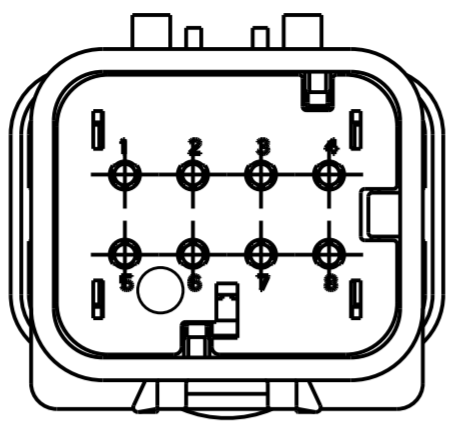
REVISIONS				
P	LTR	DESCRIPTION	DATE	APVD
A		NEW RELEASE	07APR2021	MK BC



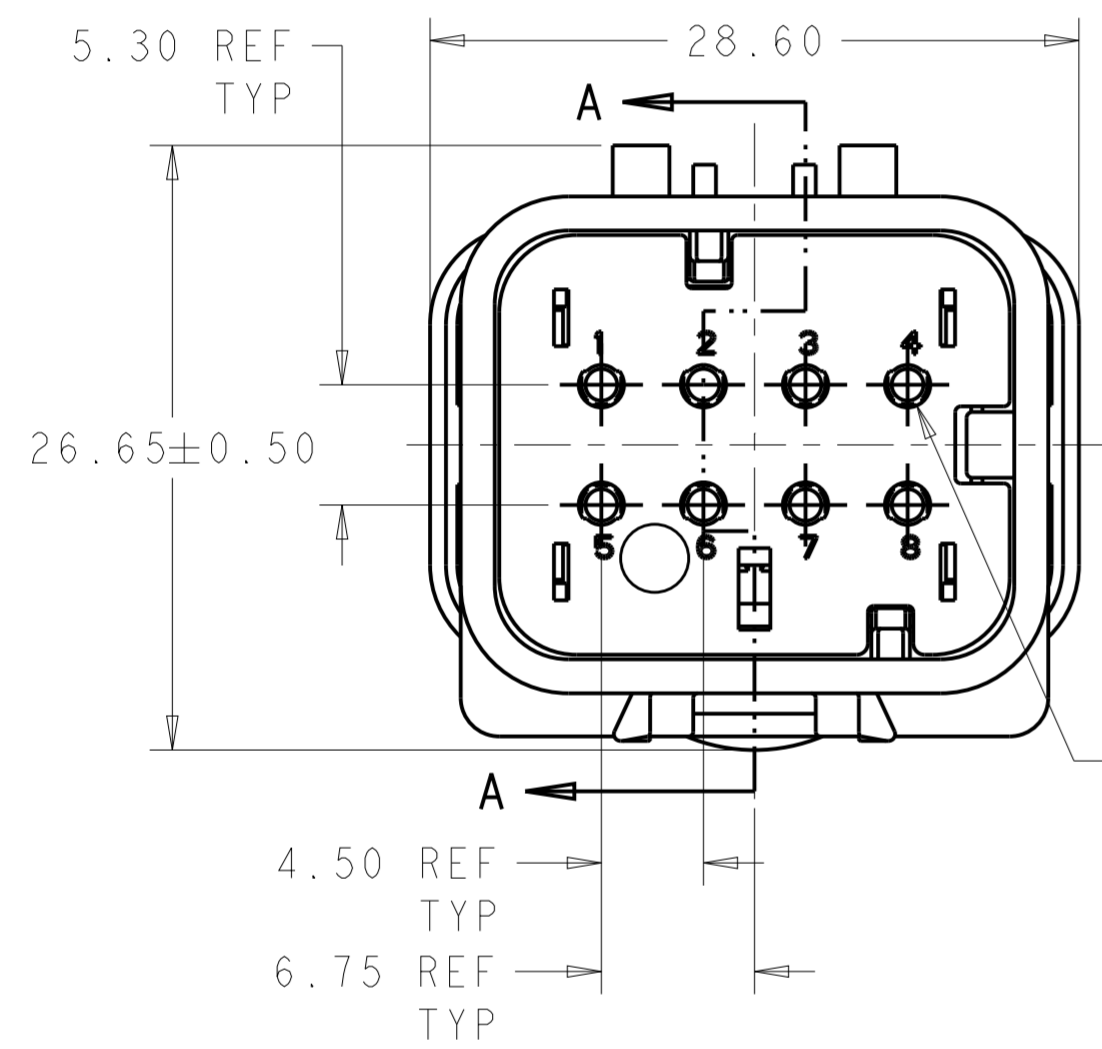
2320917-2  
SCALE 2:1  
KEY B



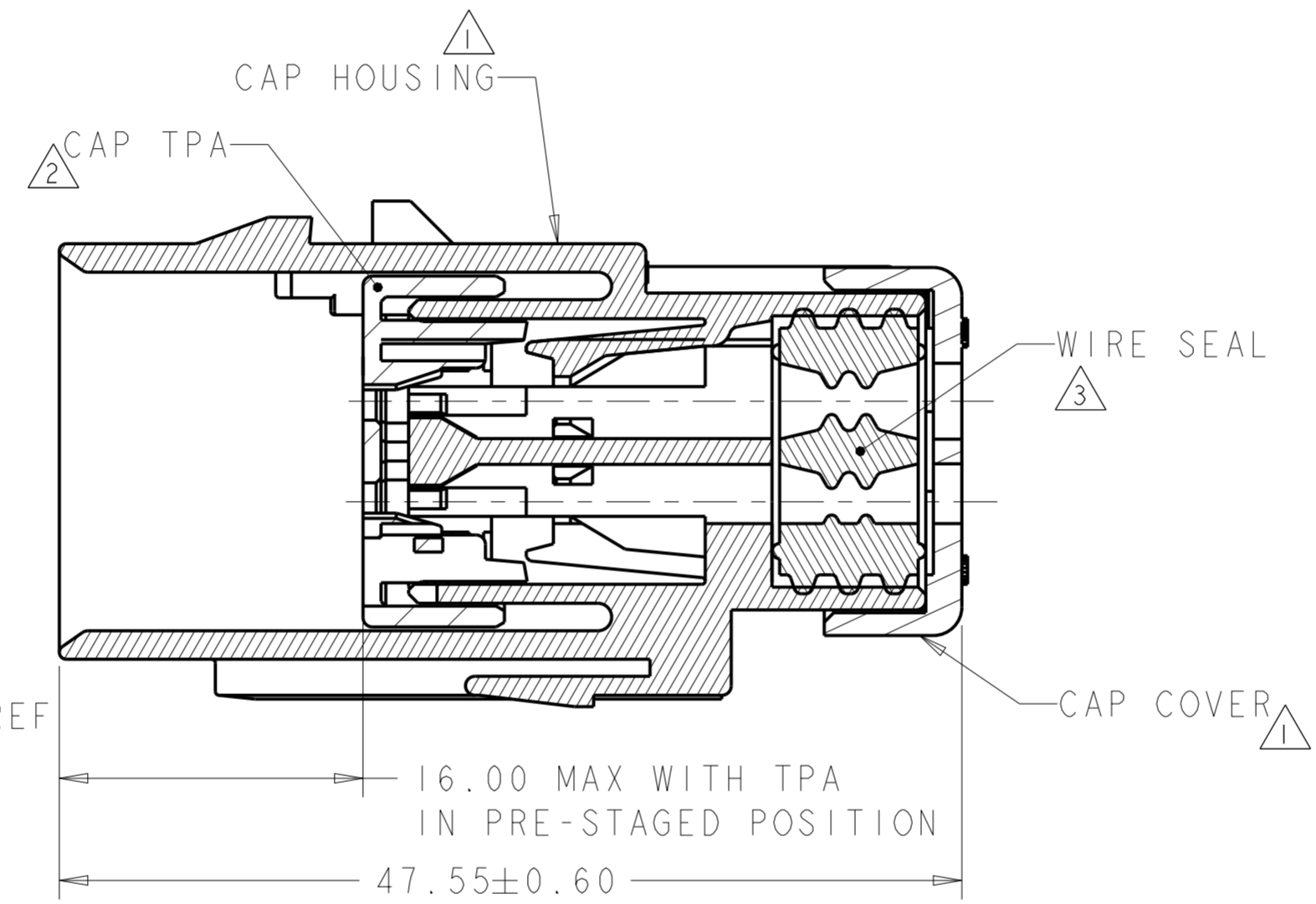
2320917-3  
SCALE 2:1  
KEY C



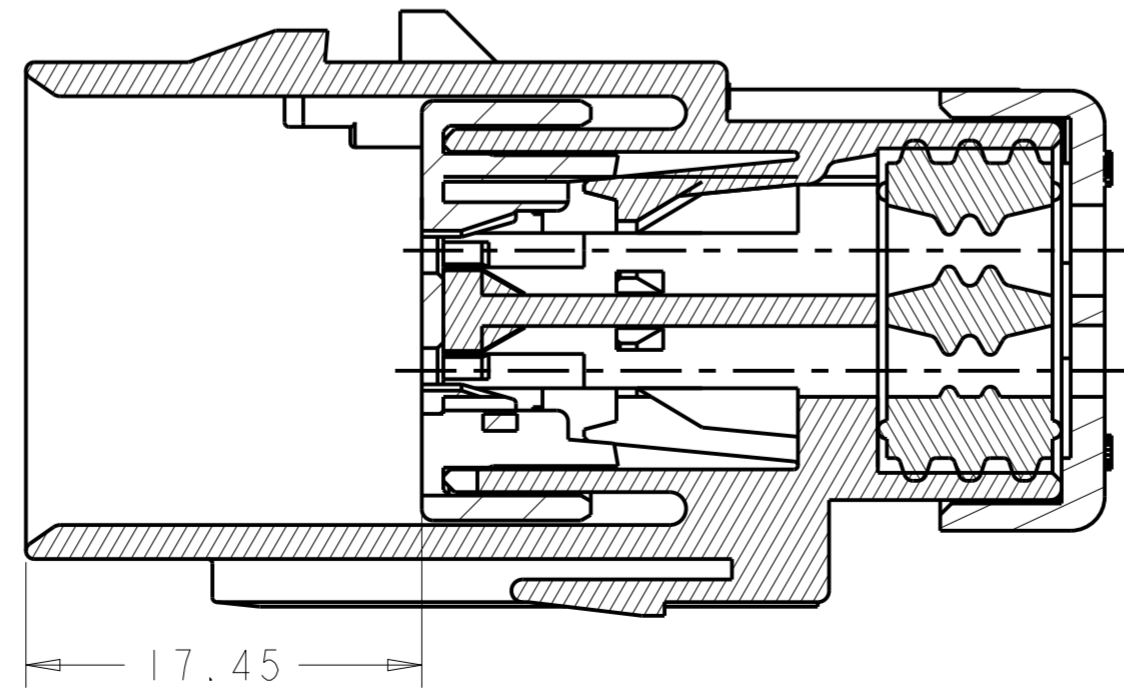
2320917-4  
SCALE 2:1  
KEY D



2320917-1 SHOWN  
KEY A



SECTION A-A



SECTION A-A  
WITH TPA IN CLOSED POSITION

1 MATERIAL: 15% FIBERGLASS REINFORCED PBT  
COLOR: GRAY

2 MATERIAL: 15% FIBERGLASS REINFORCED PBT  
COLOR: (SEE TABLE)

3 MATERIAL: SILICONE  
COLOR: GREEN

4. RECOMMENDED WIRE DIAMETER RANGE IS 2.18 TO 3.67mm.

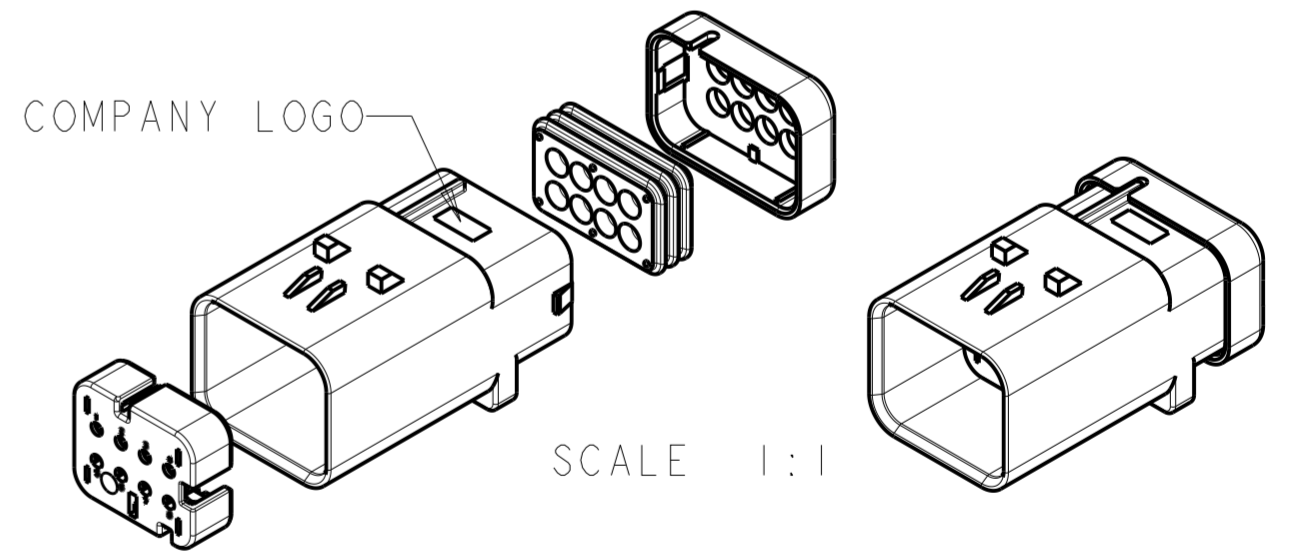
5. RECOMMENDED BACKSHELLS:

- STRAIGHT EXIT  
 A. 2292864-1 SMOOTH WIRE EXIT  
 B. 2292864-2 NC20/NW17 CONDUIT WIRE EXIT  
 C. 2292864-3 NCI6/NW13 CONDUIT WIRE EXIT

- 90° EXIT  
 D. 2302485-1 SMOOTH WIRE EXIT  
 E. 2302485-2 NC20/NW17 CONDUIT WIRE EXIT  
 F. 2302485-3 NCI6/NW13 CONDUIT WIRE EXIT

6. RECOMMENDED SEAL PLUG: 776363-1

7. MATING CONNECTOR: 2320924-X.



D	ORANGE	2320917-4
C	PURPLE	2320917-3
B	BLUE	2320917-2
A	TAN	2320917-1
KEY	TPA COLOR	PART NUMBER

THIS DRAWING IS A CONTROLLED DOCUMENT.		DWN J. MCNEAL 18SEP2018	TE Connectivity	
DIMENSIONS: mm		CHK R. BALTER 18SEP2018		
TOLERANCES UNLESS OTHERWISE SPECIFIED:		APVD R. BALTER 18SEP2018	NAME CAP ASSEMBLY, 8 POSN, STD DIA SEAL, HI TEMP, AMPSEAL 16	
0 PLC ±		PRODUCT SPEC 108-32602	SIZE CAGE CODE DRAWING NO RESTRICTED TO	
1 PLC ±		APPLICATION SPEC 114-32362	A2 - C-2320917	
2 PLC ±0.30		WEIGHT 17.5±1g	SCALE 2:1 SHEET OF REV A	
3 PLC ±		CUSTOMER DRAWING		
4 PLC ±				
ANGLES FINISH				