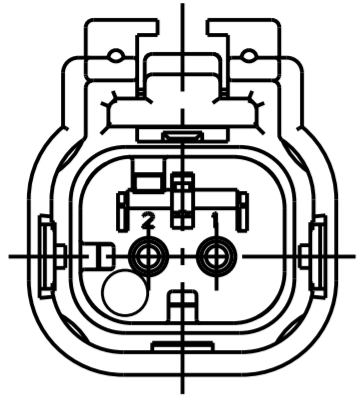
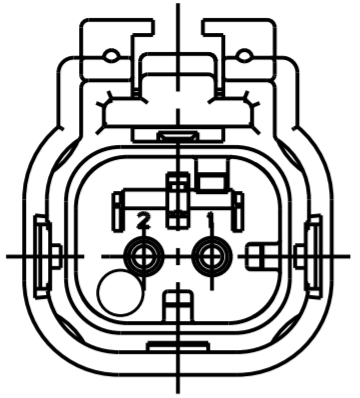


THIS DRAWING IS UNPUBLISHED. RELEASED FOR PUBLICATION 20
 © COPYRIGHT 20 BY - ALL RIGHTS RESERVED.

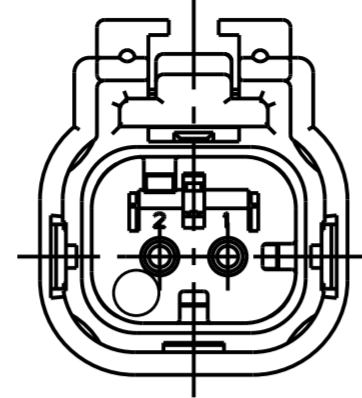
REVISIONS					
P	LTR	DESCRIPTION	DATE	DWN	APVD
	A	NEW RELEASE	07APR2021	MK	BC



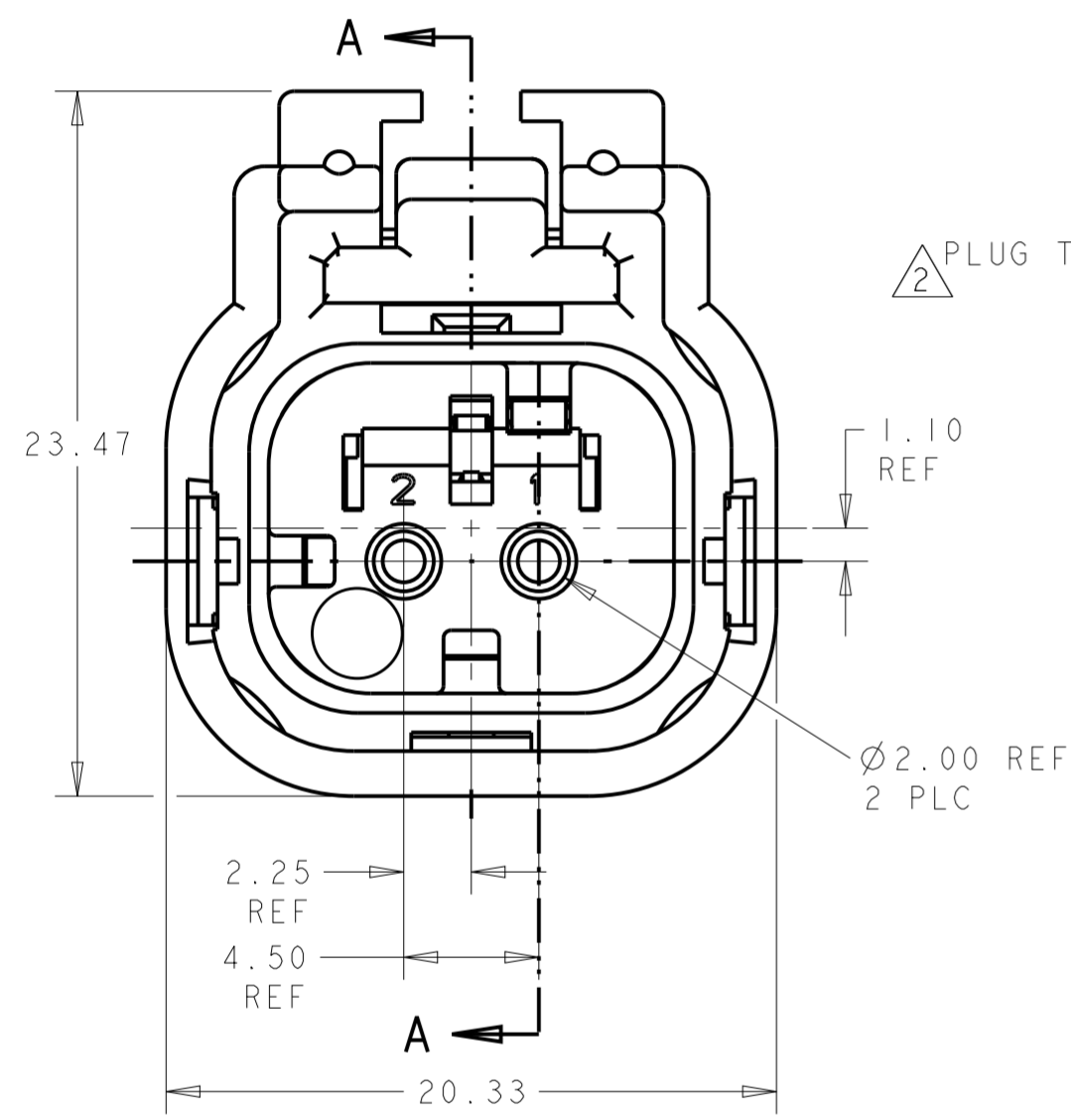
2320920-2
SCALE 2:1
KEY B



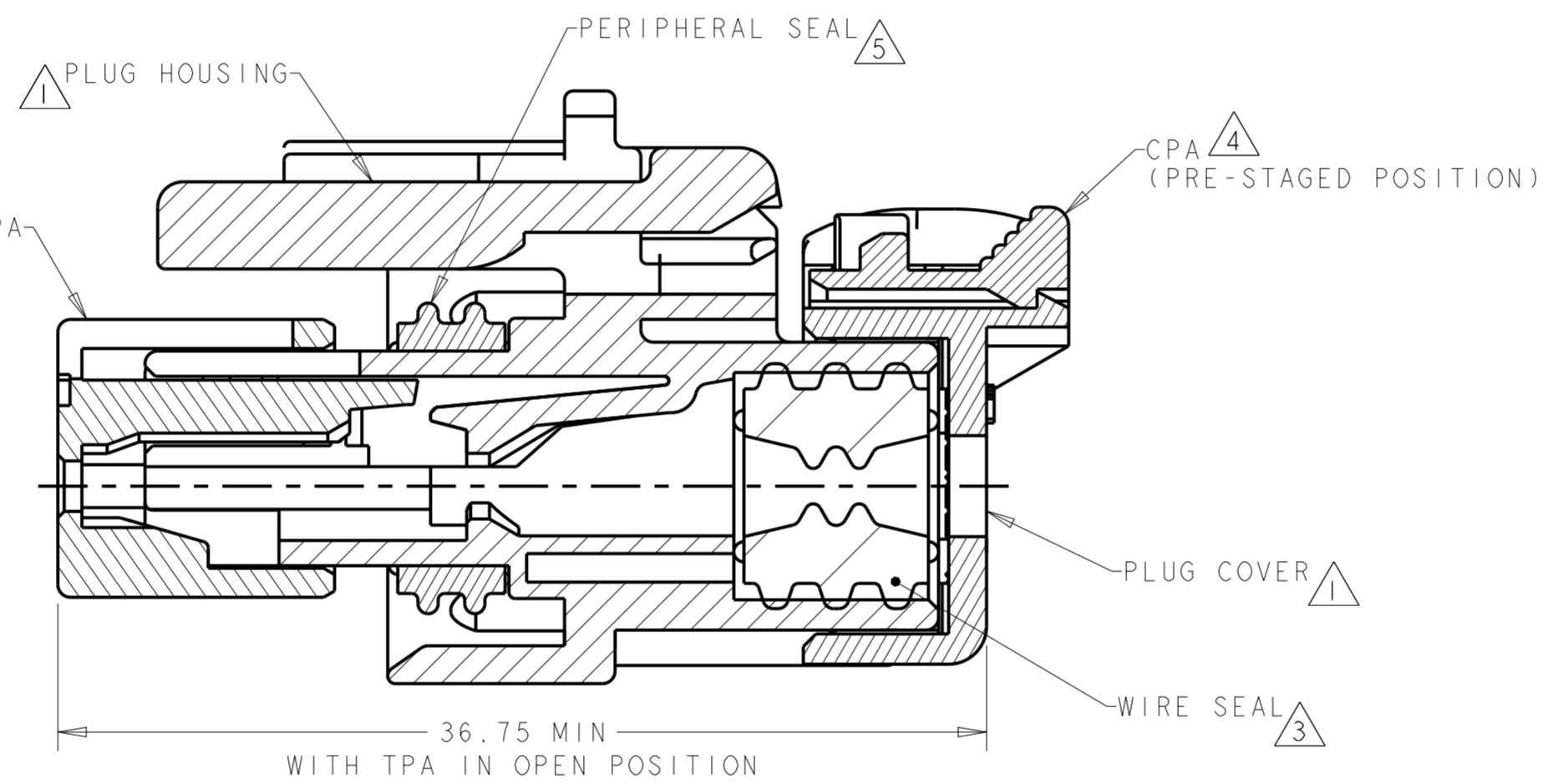
2320920-3
SCALE 2:1
KEY C



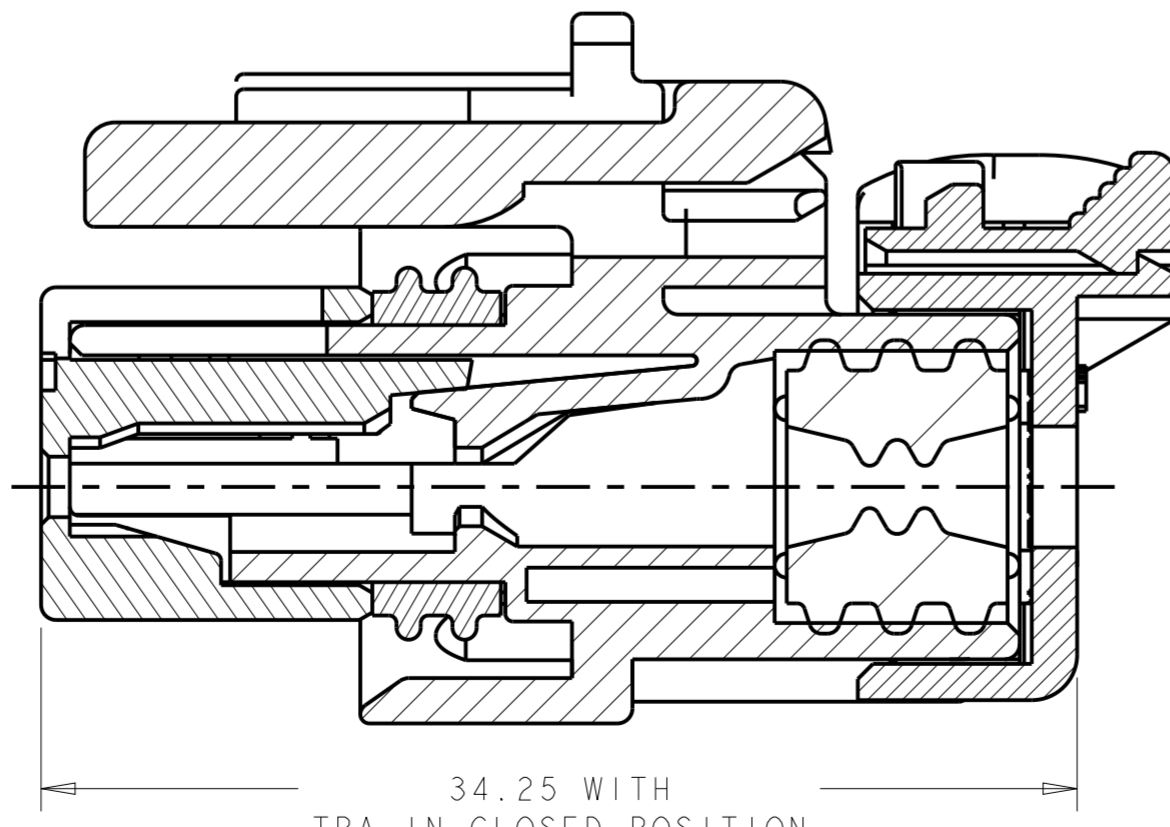
2320920-4
SCALE 2:1
KEY D



2320920-1 SHOWN
KEY A

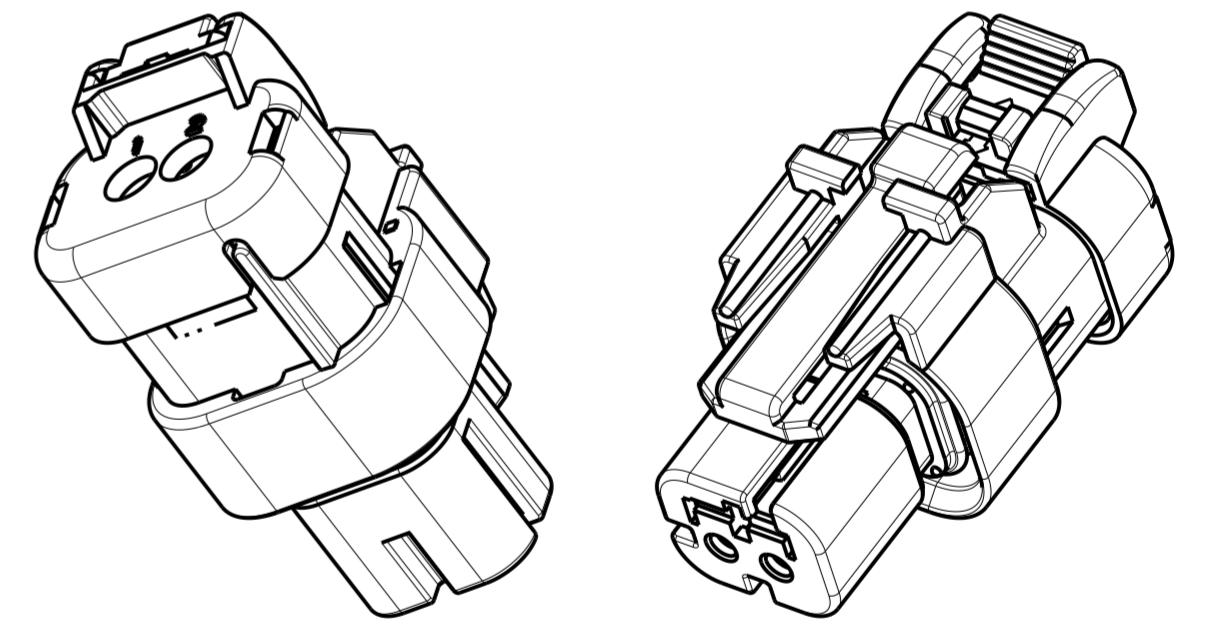


SECTION A-A



SECTION A-A

- 1 MATERIAL: 15% FIBERGLASS REINFORCED PBT
COLOR: GRAY
- 2 MATERIAL: 15% FIBERGLASS REINFORCED PBT
COLOR: (SEE TABLE)
- 3 MATERIAL: SILICONE
COLOR: MARINE BLUE
- 4 MATERIAL: 15% FIBERGLASS REINFORCED PBT
COLOR: ORANGE
- 5 MATERIAL: SILICONE
COLOR: BLUE
- 6. RECOMMENDED WIRE DIAMETER RANGE IS 2.18 TO 3.67mm.
- 7. RECOMMENDED BACKSHELLS:
STRAIGHT EXIT:
A. 2292797-1 SMOOTH WIRE EXIT
B. 2292797-2 NC12/NW10 CONDUIT WIRE EXIT
C. 2292797-3 NC08/NW7.5 CONDUIT WIRE EXIT
90° EXIT:
D. 2302488-1 SMOOTH WIRE EXIT
E. 2302488-2 NC12/NW10 CONDUIT WIRE EXIT
F. 2302488-3 NC08/NW7.5 CONDUIT WIRE EXIT
- 8. RECOMMENDED SEAL PLUG: 776363-1
- 9. MATING CONNECTOR: 2320913-X



SCALE 2:1

D	ORANGE	2320920-4
C	PURPLE	2320920-3
B	BLUE	2320920-2
A	TAN	2320920-1
KEY	TPA COLOR	PART NUMBER

THIS DRAWING IS A CONTROLLED DOCUMENT.		DWN J. MCNEAL 04JAN2018	TE Connectivity	
DIMENSIONS: mm		CHK R. BALTER 04JAN2018		
TOLERANCES UNLESS OTHERWISE SPECIFIED:		APVD R. BALTER 04JAN2018	NAME PLUG ASSEMBLY, 2 POSITION, STD DIA SEAL, HIGH TEMP, AMPSEAL 16	
0 PLC ±-	1 PLC ±-	PRODUCT SPEC 108-32602	SIZE A2	CAGE CODE 07779
2 PLC ±0.30	3 PLC ±-	APPLICATION SPEC 114-32362	DRAWING NO C-2320920	RESTRICTED TO -
4 PLC ±-	ANGLES ±1°	WEIGHT 8g	SCALE 4:1	SHEET OF
FINISH		CUSTOMER DRAWING	REV A	