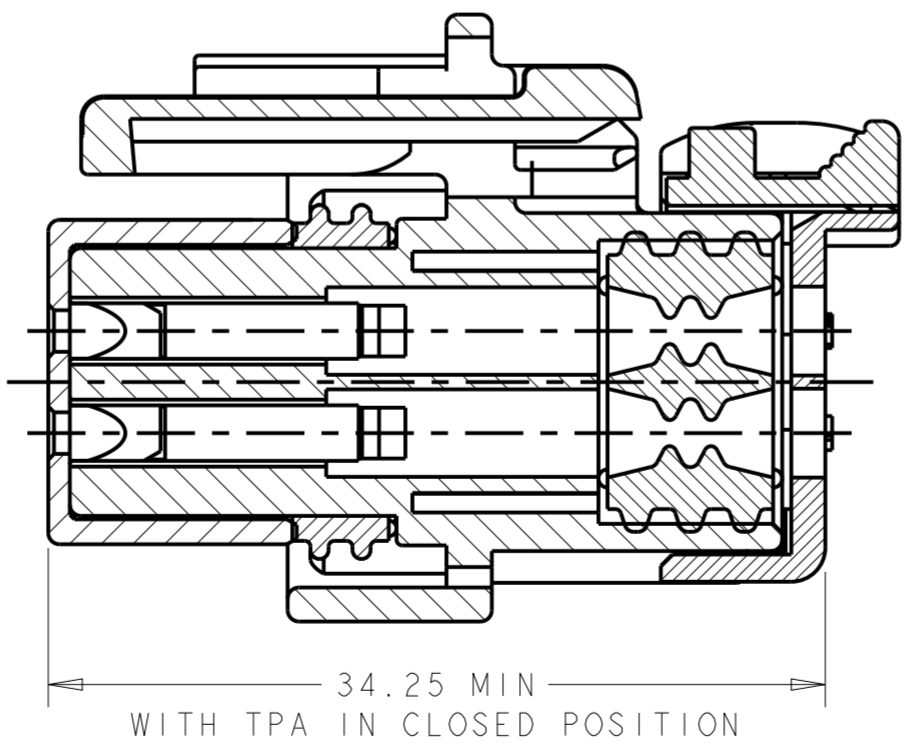
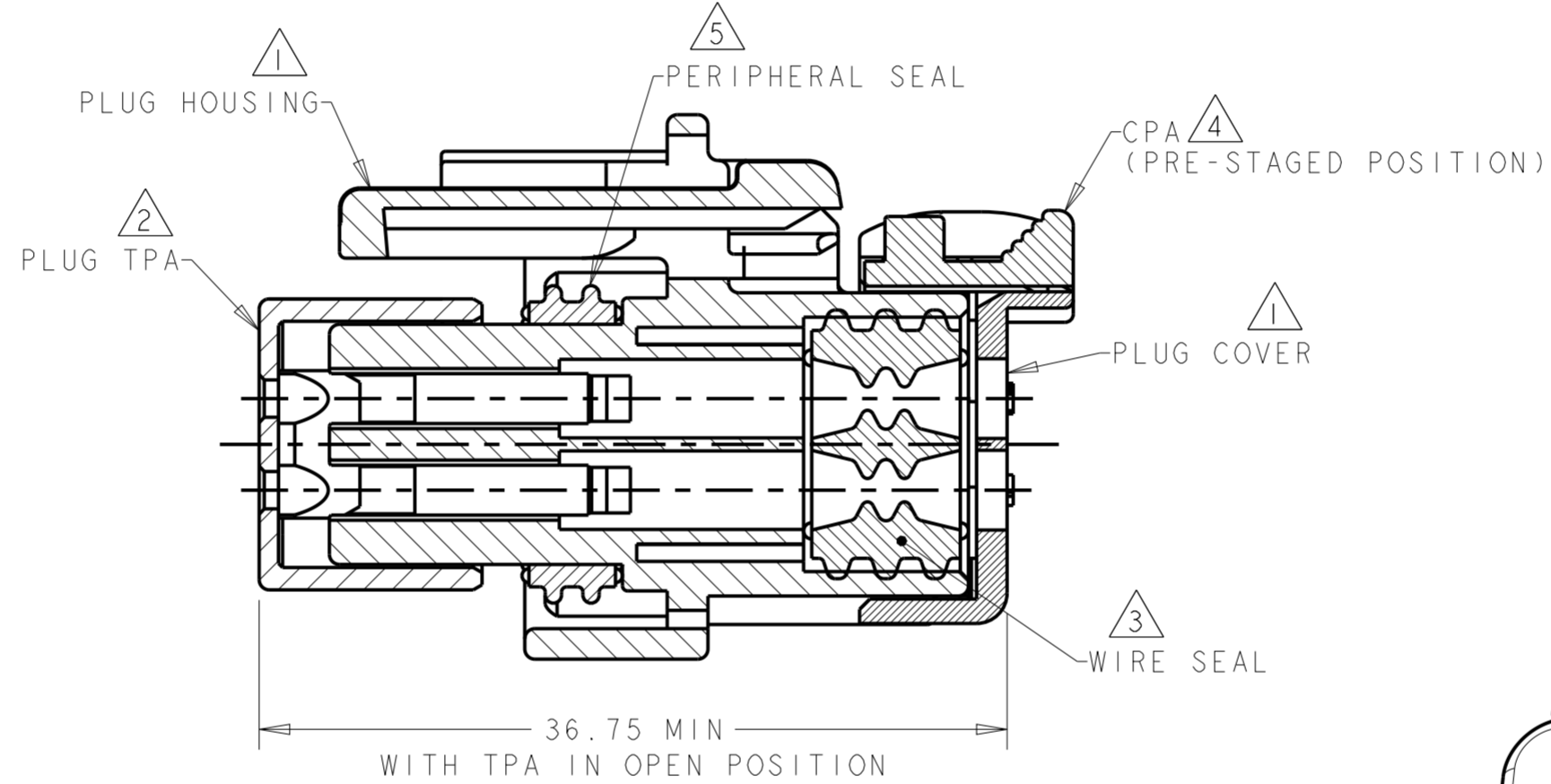
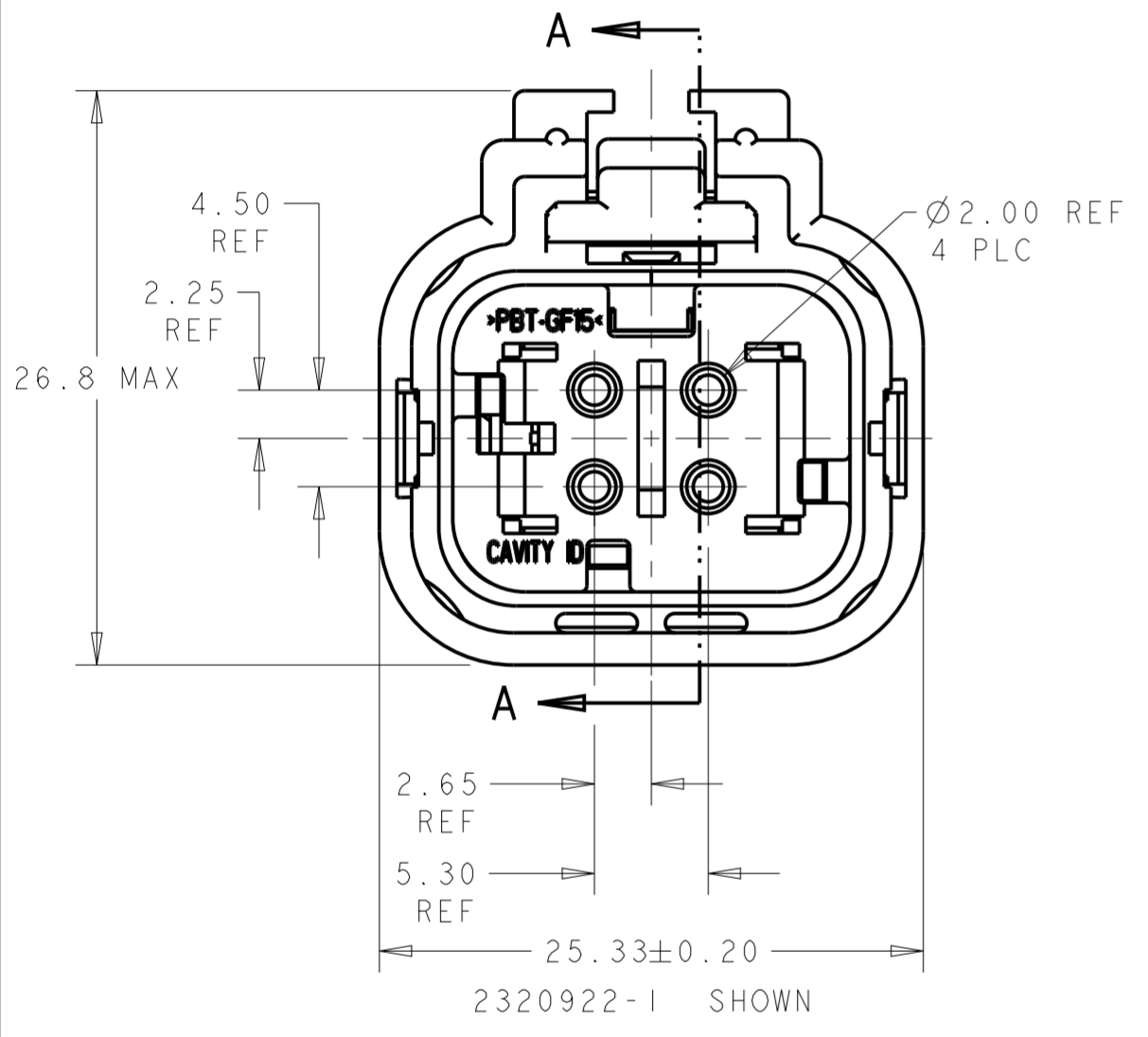
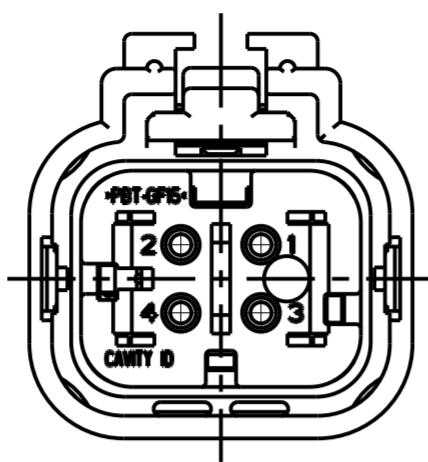
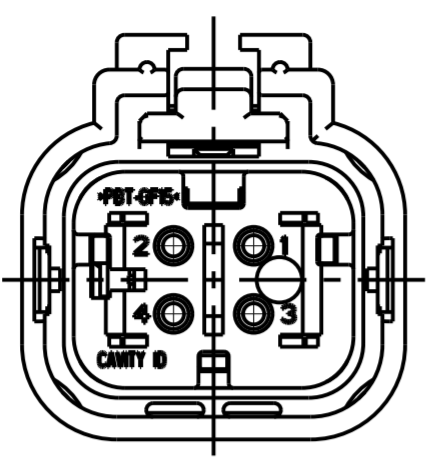
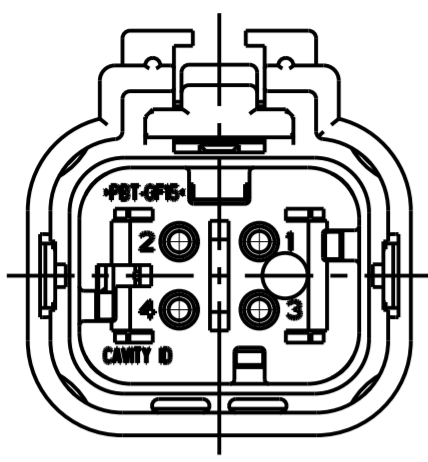
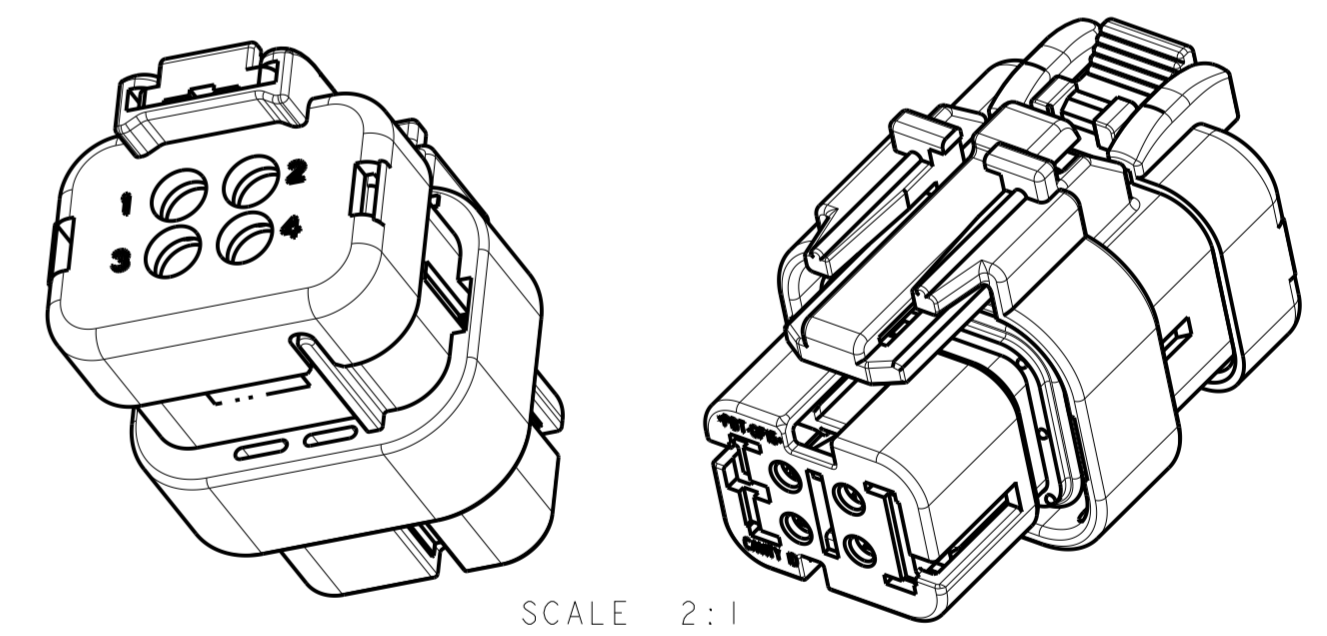


REVISIONS					
P	LTR	DESCRIPTION	DATE	DWN	APVD
	A	NEW RELEASE	08APR2021	MK	BC



- 1 MATERIAL: 15% FIBERGLASS REINFORCED PBT  
COLOR: GRAY
- 2 MATERIAL: 15% FIBERGLASS REINFORCED PBT  
COLOR: (SEE TABLE)
- 3 MATERIAL: SILICONE  
COLOR: GREEN
- 4 MATERIAL: 15% FIBERGLASS REINFORCED PBT  
COLOR: ORANGE
- 5 MATERIAL: SILICONE  
COLOR: TAN
- 6. RECOMMENDED WIRE DIAMETER RANGE IS 2.18 TO 3.67mm.
- 7. RECOMMENDED BACKSHELLS:  
 STRAIGHT EXIT:  
 A. 2292799-1 SMOOTH WIRE EXIT  
 B. 2292799-2 NCI6/NWI3 CONDUIT WIRE EXIT  
 C. 2292799-3 NCI2/NWI0 CONDUIT WIRE EXIT  
 90° EXIT:  
 D. 2302492-1 SMOOTH WIRE EXIT  
 E. 2302492-2 NCI6/NWI3 CONDUIT WIRE EXIT  
 F. 2302492-3 NCI2/NWI0 CONDUIT WIRE EXIT
- 8. RECOMMENDED SEAL PLUG: 776363-1
- 9. MATING CONNECTOR: 2320915-X



D	ORANGE	2320922-4
C	PURPLE	2320922-3
B	BLUE	2320922-2
A	TAN	2320922-1
KEY	TPA COLOR	PART NUMBER

THIS DRAWING IS A CONTROLLED DOCUMENT.		DWN J. MCNEAL 28MAR2018	TE Connectivity	
		CHK R. BALTER 28MAR2018		
		APVD R. BALTER 28MAR2018	NAME PLUG ASSEMBLY, 4 POSITION STD DIA SEAL, HIGH TEMP, AMPSEAL 16	
DIMENSIONS: mm		PRODUCT SPEC 108-32602	SIZE A2	
TOLERANCES UNLESS OTHERWISE SPECIFIED:		APPLICATION SPEC 114-32362	CAGE CODE -	
0 PLC ±		WEIGHT 12.5±1g	DRAWING NO G-2320922	
1 PLC ±		CUSTOMER DRAWING	RESTRICTED TO -	
2 PLC ±0.20			SCALE 1:1	
3 PLC ±			SHEET OF	
4 PLC ±			REV A	
ANGLES ±				
FINISH -				