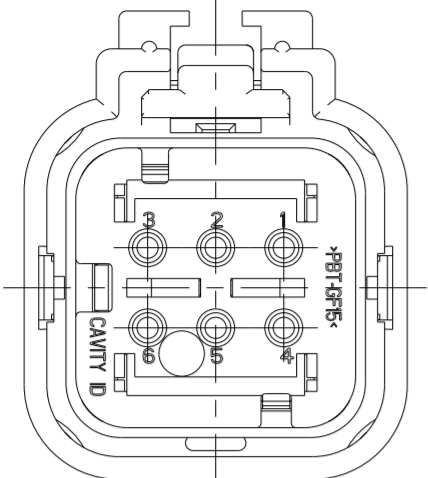
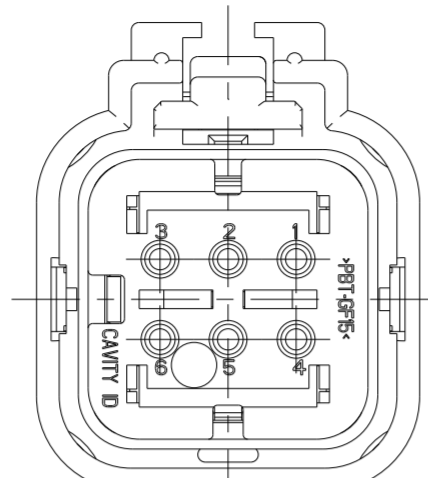


THIS DRAWING IS UNPUBLISHED. RELEASED FOR PUBLICATION
 © COPYRIGHT - ALL RIGHTS RESERVED.

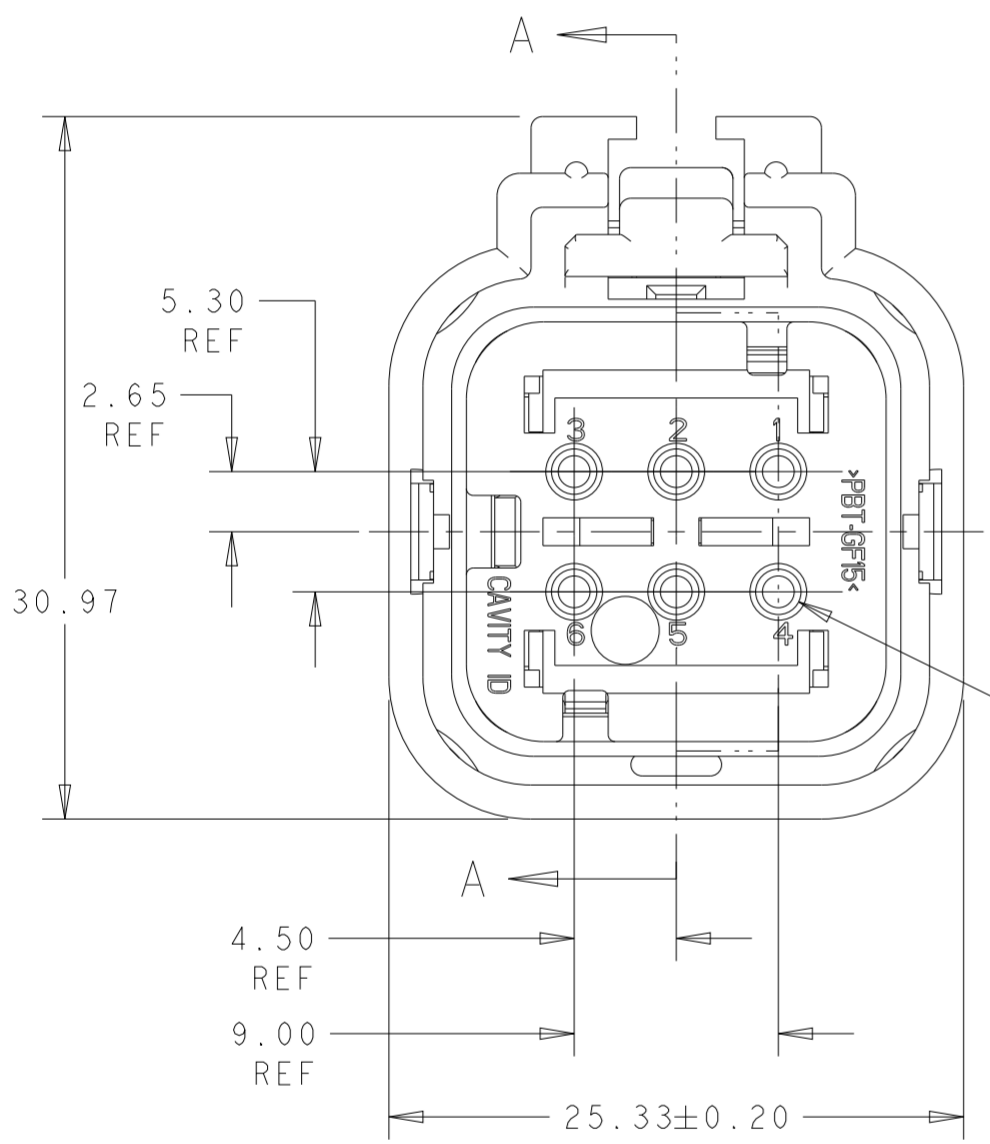
REVISIONS					
P	LTR	DESCRIPTION	DATE	DWN	APVD
	A	NEW RELEASE	08APR2021	MK	BC



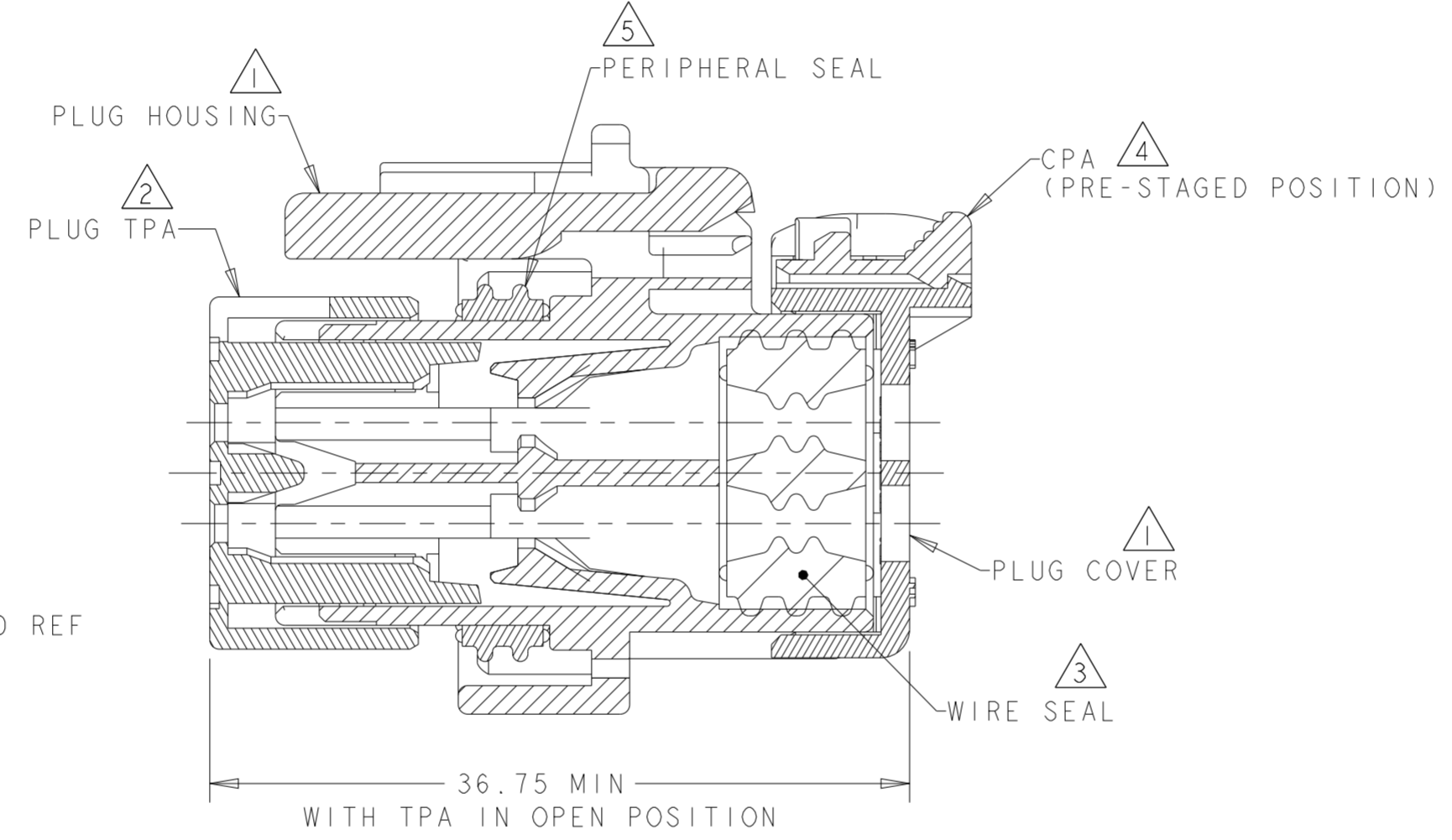
2320923-2 SHOWN
SCALE 2:1



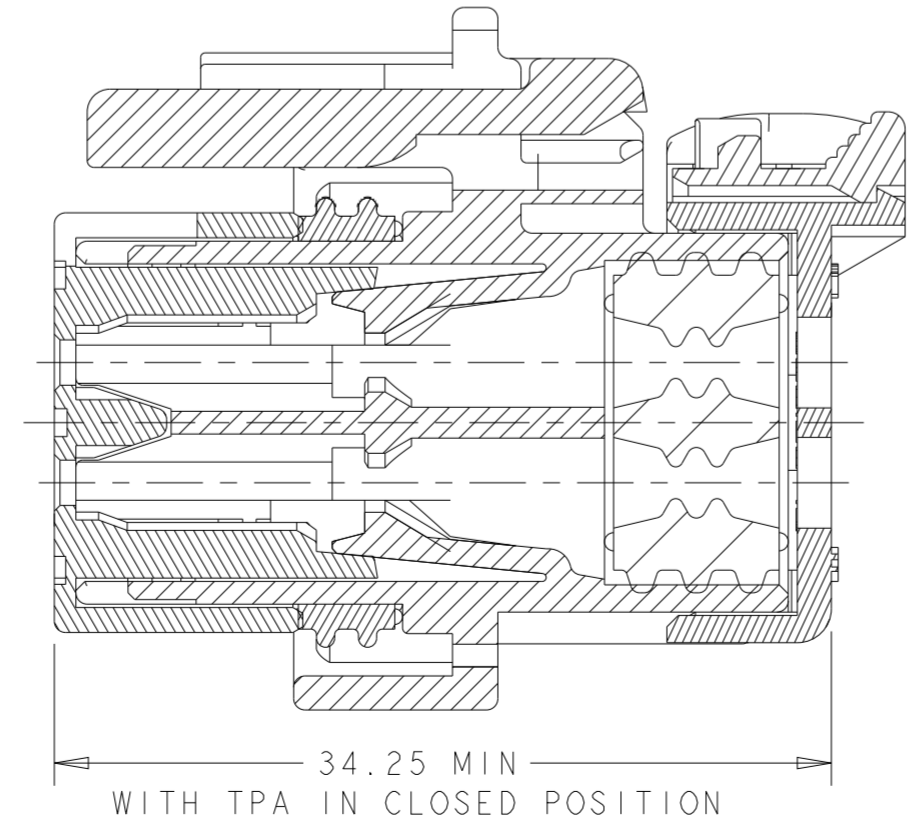
2320923-3 SHOWN
SCALE 2:1



2320923-1 SHOWN

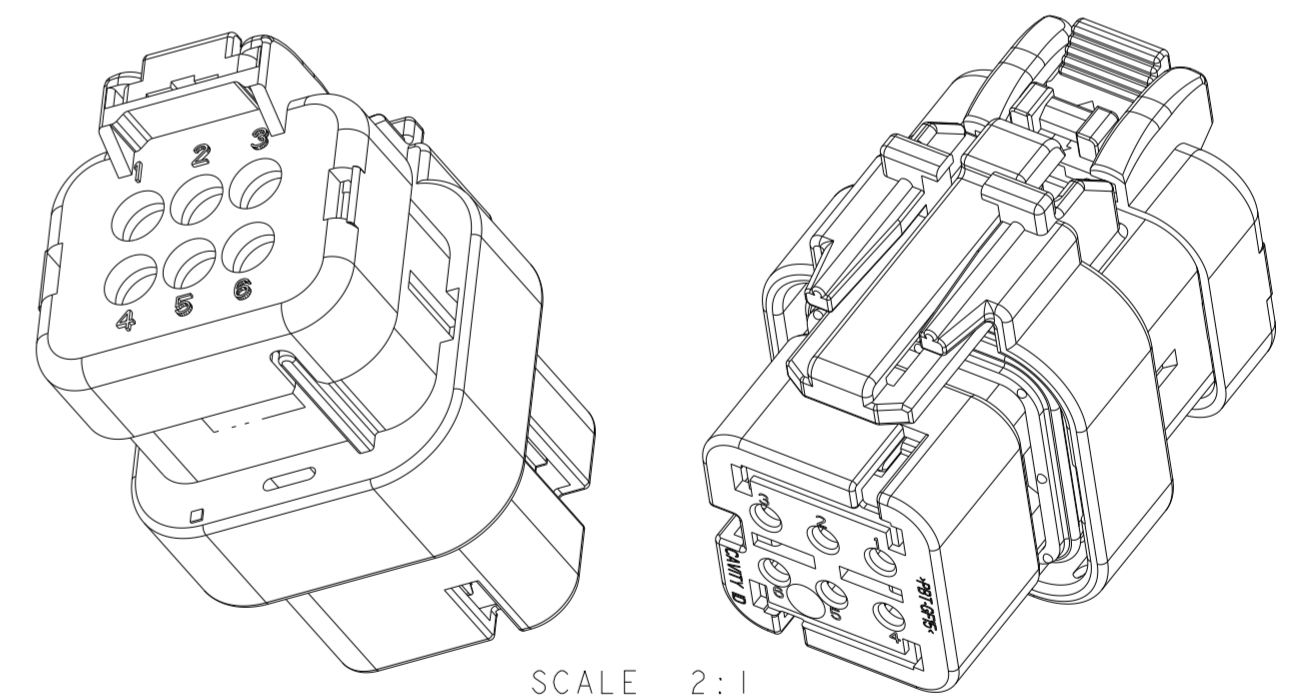


SECTION A-A



SECTION A-A

- 1 MATERIAL: 15% FIBERGLASS REINFORCED PBT
COLOR: GRAY
- 2 MATERIAL: 15% FIBERGLASS REINFORCED PBT
COLOR: (SEE TABLE)
- 3 MATERIAL: SILICONE
COLOR: MARINE BLUE
- 4 MATERIAL: 15% FIBERGLASS REINFORCED PBT
COLOR: ORANGE
- 5 MATERIAL: SILICONE
COLOR: BLUE
- 6. RECOMMENDED WIRE DIAMETER RANGE IS 2.18 TO 3.67mm.
- 7. RECOMMENDED BACKSHELLS:
STRAIGHT EXIT:
A. 2292800-1 SMOOTH WIRE EXIT
B. 2292800-2 NCI6/NWI3 CONDUIT WIRE EXIT
C. 2292800-3 NCI2/NWI0 CONDUIT WIRE EXIT
90° EXIT:
D. 2302493-1 SMOOTH WIRE EXIT
E. 2302493-2 NCI6/NWI3 CONDUIT WIRE EXIT
F. 2302493-3 NCI2/NWI0 CONDUIT WIRE EXIT
- 8. RECOMMENDED SEAL PLUG: 776363-1
- 9. MATING CONNECTOR: 2320916-X



SCALE 2:1

C	PURPLE	2320923-3
B	BLUE	2320923-2
A	TAN	2320923-1
KEY	TPA COLOR	PART NUMBER

THIS DRAWING IS A CONTROLLED DOCUMENT.		DWN J. MCNEAL 18SEP2018	TE Connectivity	
DIMENSIONS: mm		CHK R. BALTER 18SEP2018		
TOLERANCES UNLESS OTHERWISE SPECIFIED:		APVD R. BALTER 18SEP2018	NAME PLUG ASSEMBLY, 6 POSITION STD DIA SEAL, HIGH TEMP AMPSEAL 16	
0 PLC	±	PRODUCT SPEC 108-32602	SIZE A2	CAGE CODE -
1 PLC	±	APPLICATION SPEC 114-32362	DRAWING NO C-2320923	RESTRICTED TO
2 PLC	±0.30	WEIGHT 14±1g	SCALE 1:1	SHEET OF
3 PLC	±	CUSTOMER DRAWING	REV A	
4 PLC	±			
ANGLES	±			
FINISH	-			