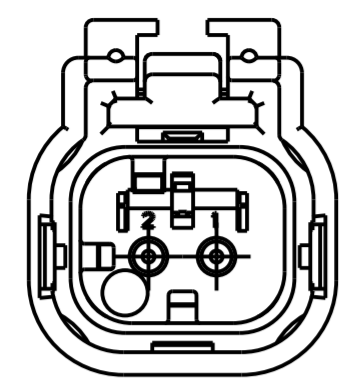
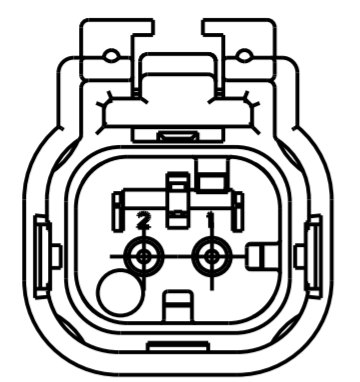


THIS DRAWING IS UNPUBLISHED. RELEASED FOR PUBLICATION 20  
 © COPYRIGHT 20 BY - ALL RIGHTS RESERVED.

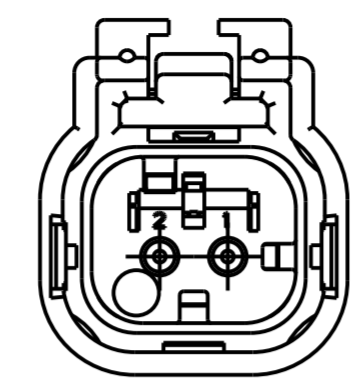
REVISIONS				
P	LTR	DESCRIPTION	DATE	APVD
	A	NEW RELEASE	08APR2021	MK BC



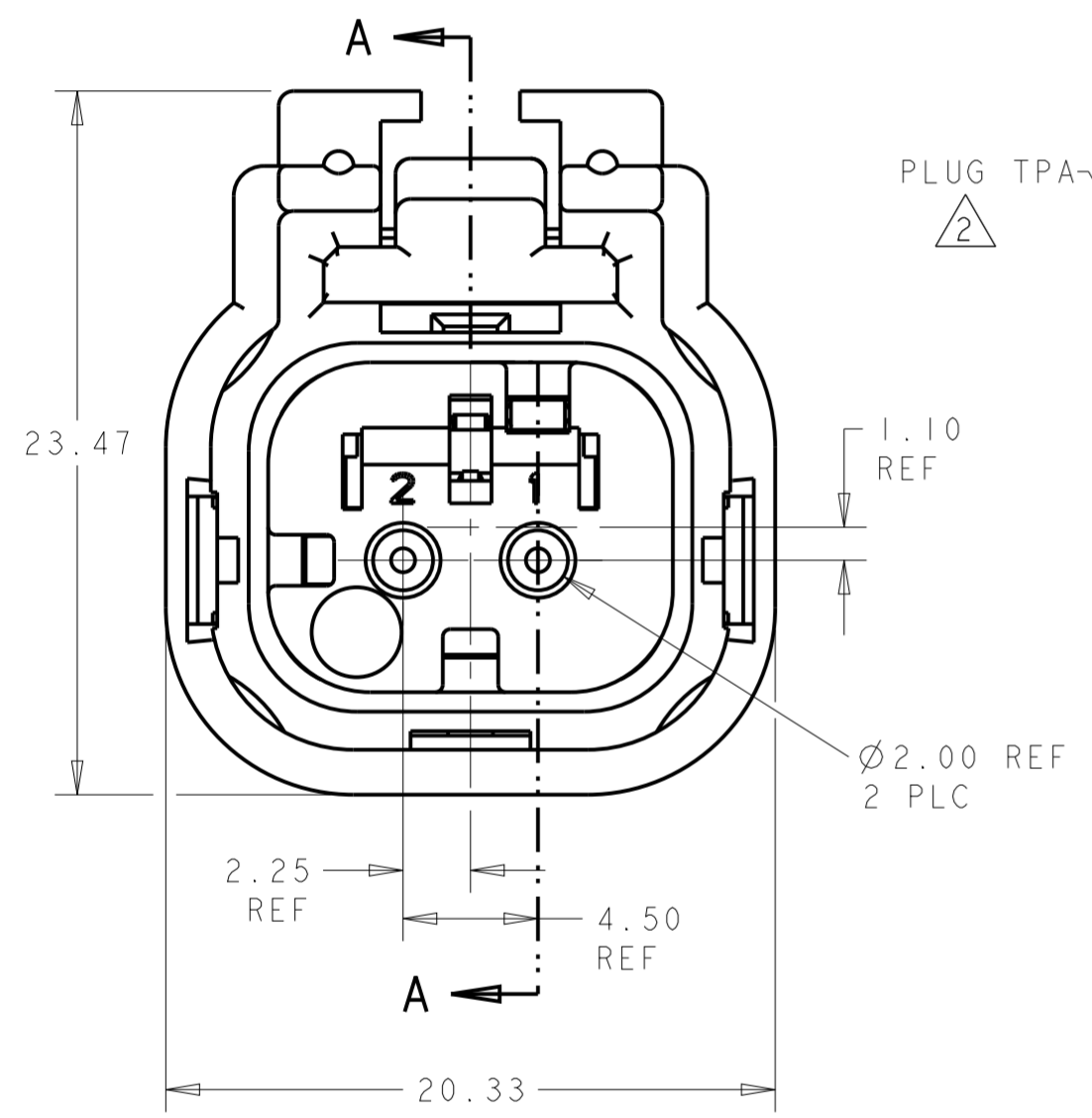
2320932-2  
SCALE 2:1  
KEY B



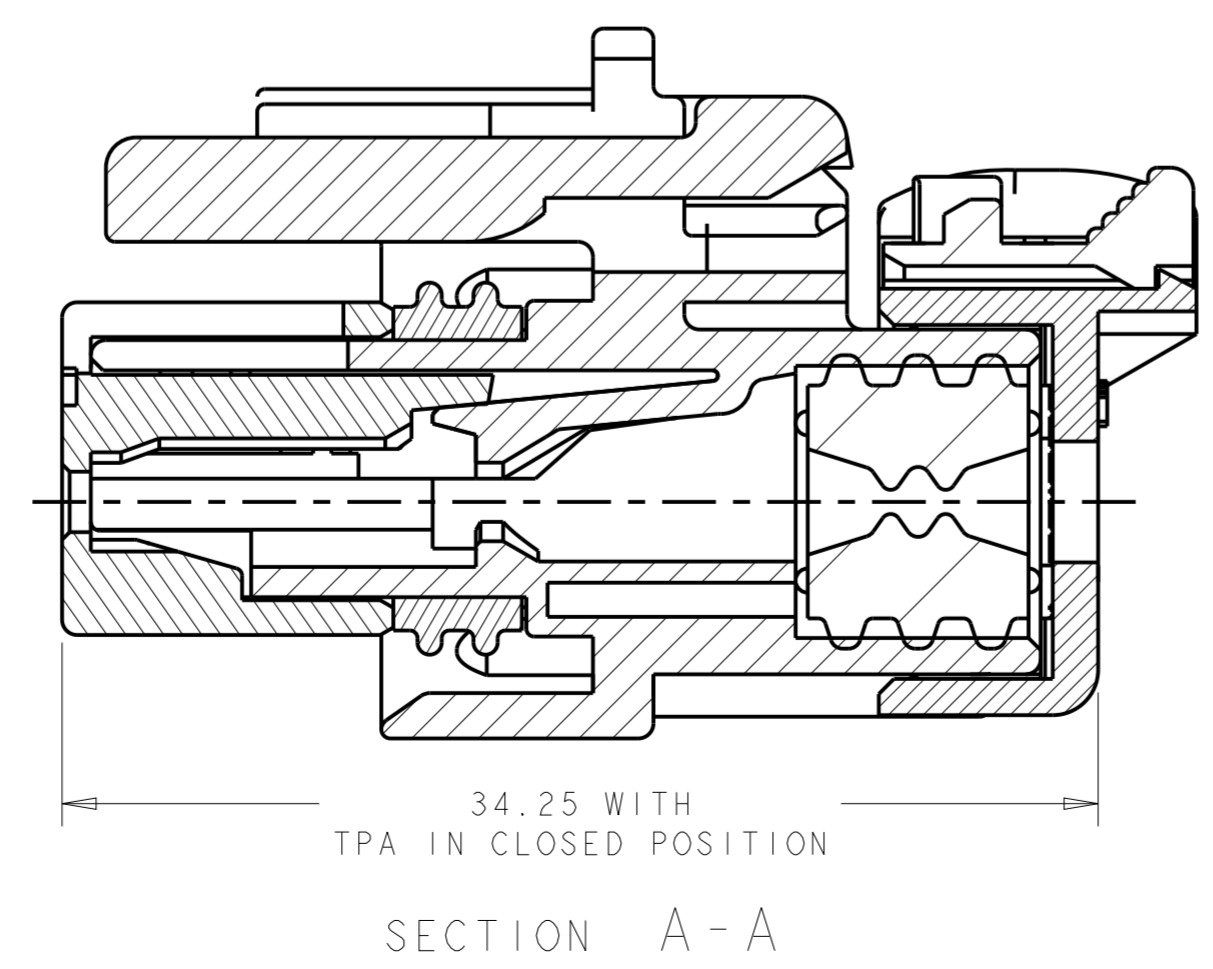
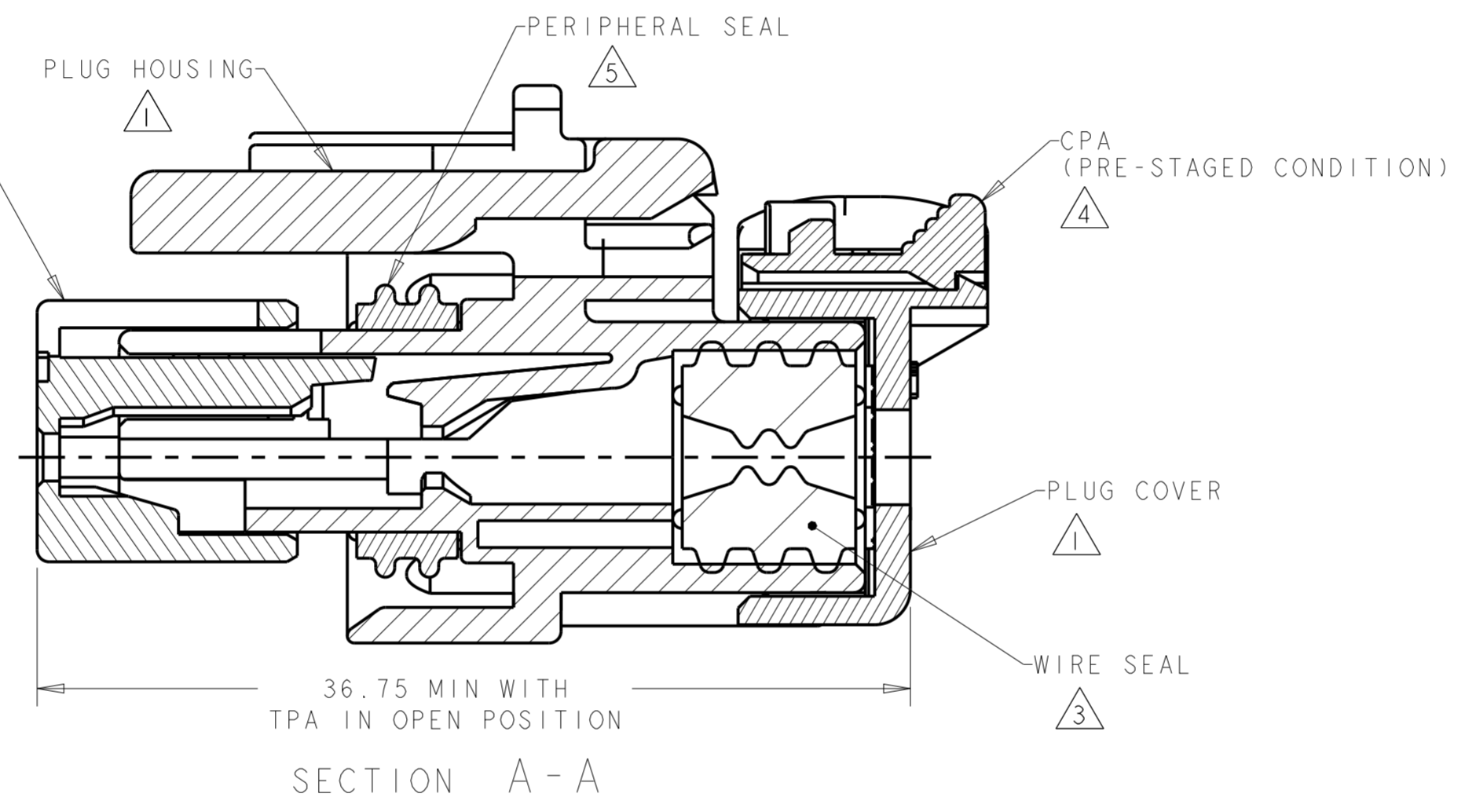
2320932-3  
SCALE 2:1  
KEY C



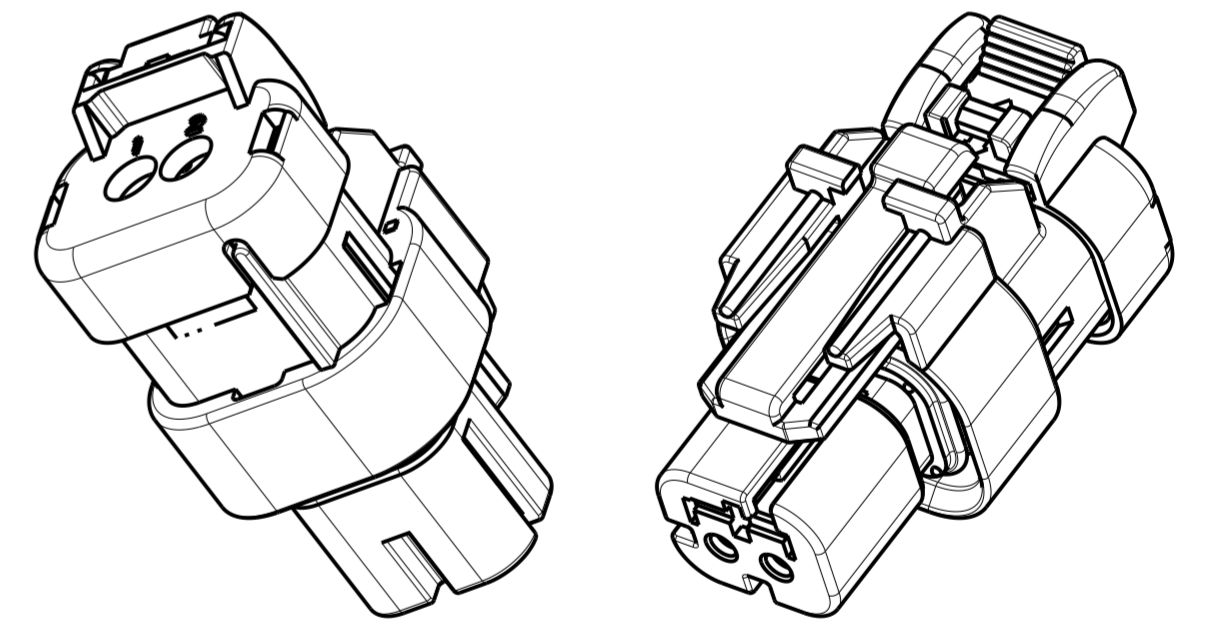
2320932-4  
SCALE 2:1  
KEY D



2320932-1 SHOWN  
KEY A



- 1 MATERIAL: 15% FIBERGLASS REINFORCED PBT  
COLOR: GRAY
- 2 MATERIAL: 15% FIBERGLASS REINFORCED PBT  
COLOR: (SEE TABLE)
- 3 MATERIAL: SILICONE  
COLOR: LT GRAY
- 4 MATERIAL: 15% FIBERGLASS REINFORCED PBT  
COLOR: ORANGE
- 5 MATERIAL: SILICONE  
COLOR: BLUE
- 6. RECOMMENDED WIRE DIAMETER RANGE IS 1.30 TO 2.54mm.
- 7. RECOMMENDED BACKSHELLS:  
STRAIGHT EXIT:  
A. 2292797-1 SMOOTH WIRE EXIT  
B. 2292797-2 NC12/NW10 CONDUIT WIRE EXIT  
C. 2292797-3 NC08/NW7.5 CONDUIT WIRE EXIT  
90° EXIT:  
D. 2302488-1 SMOOTH WIRE EXIT  
E. 2302488-2 NC12/NW10 CONDUIT WIRE EXIT  
F. 2302488-3 NC08/NW7.5 CONDUIT WIRE EXIT
- 8. RECOMMENDED SEAL PLUG: 776363-1
- 9. MATING CONNECTOR: 2320926-X.



SCALE 2:1

D	ORANGE	2320932-4
C	PURPLE	2320932-3
B	BLUE	2320932-2
A	TAN	2320932-1
KEY	TPA COLOR	PART NUMBER

THIS DRAWING IS A CONTROLLED DOCUMENT.		DWN J. MCNEAL 16 JAN 2018	TE Connectivity	
DIMENSIONS: mm		CHK R. BALTER 16 JAN 2018		
TOLERANCES UNLESS OTHERWISE SPECIFIED:		APVD R. BALTER 16 JAN 2018	NAME PLUG ASSEMBLY, 2 POSITION, REDUCED DIA SEAL, HI TEMP, AMPSEAL 16	
0 PLC ±-	1 PLC ±-	PRODUCT SPEC 108-32602	SIZE A2	CAGE CODE 0779
2 PLC ±0.30	3 PLC ±-	APPLICATION SPEC 114-32362	DRAWING NO C-2320932	RESTRICTED TO -
4 PLC ±-	ANGLES ±1°	WEIGHT 8g	SCALE 4:1	SHEET OF
FINISH		CUSTOMER DRAWING	REV A	