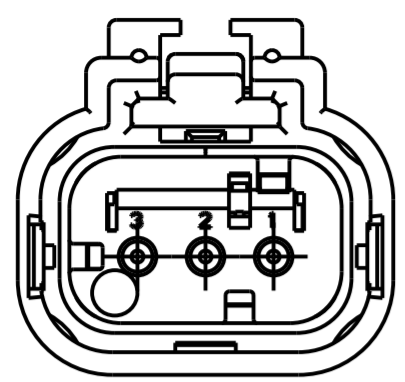
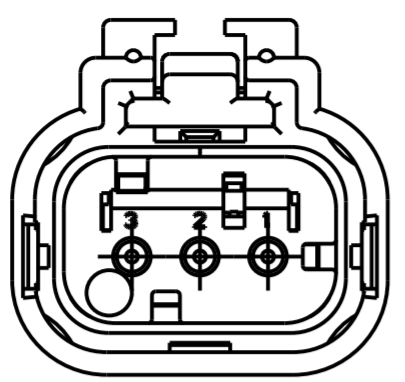


THIS DRAWING IS UNPUBLISHED. RELEASED FOR PUBLICATION. ALL RIGHTS RESERVED.

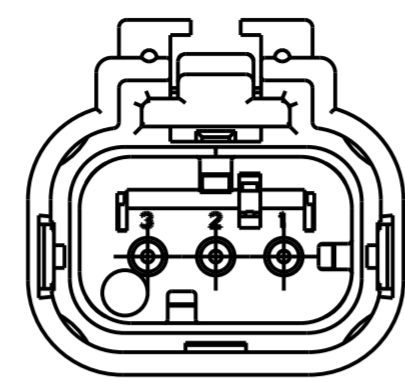
REVISIONS				
P	LTR	DESCRIPTION	DATE	APVD
A		NEW RELEASE	08APR2021	MK BC



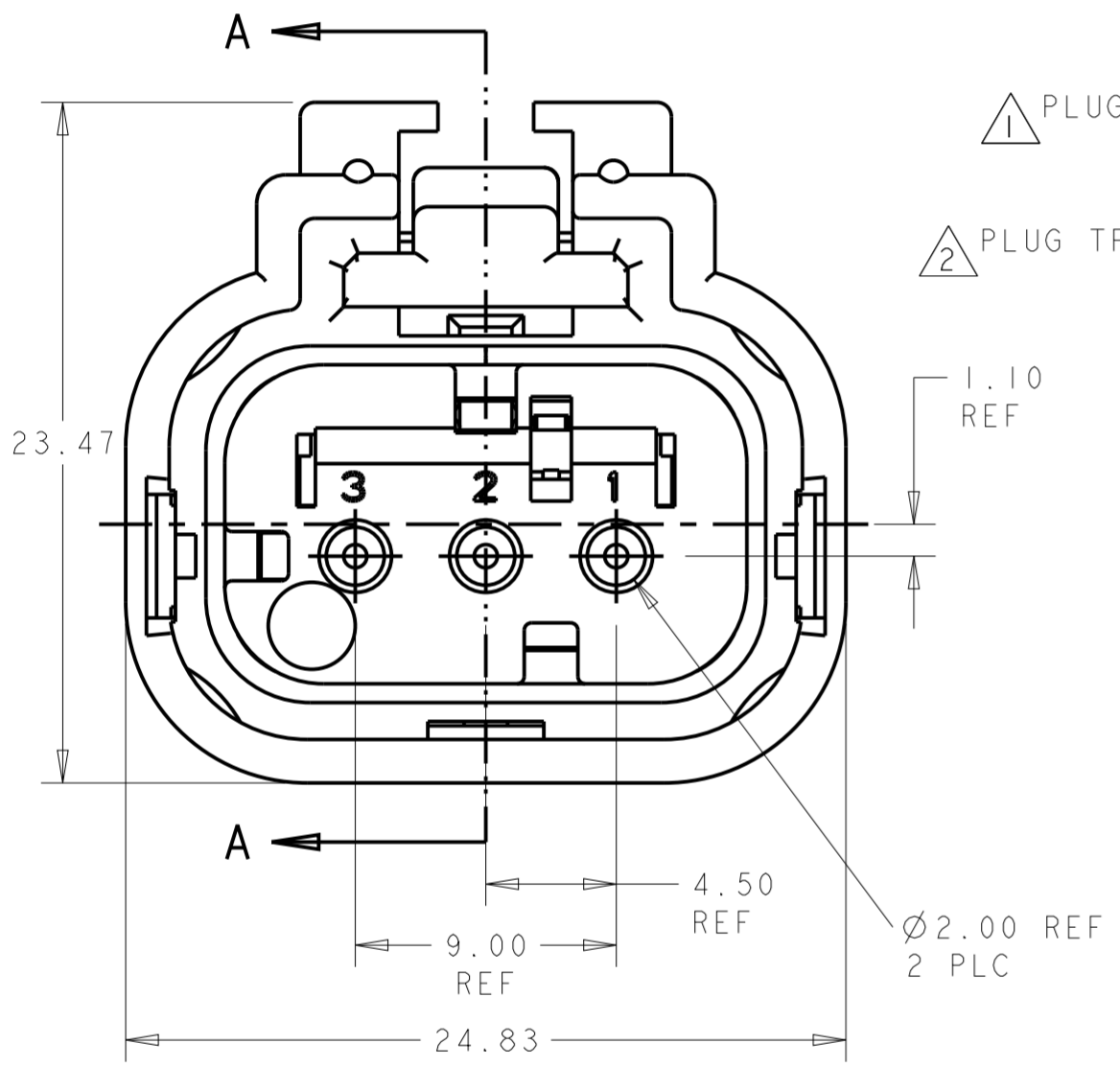
2320933-2  
SCALE 2:1  
KEY B



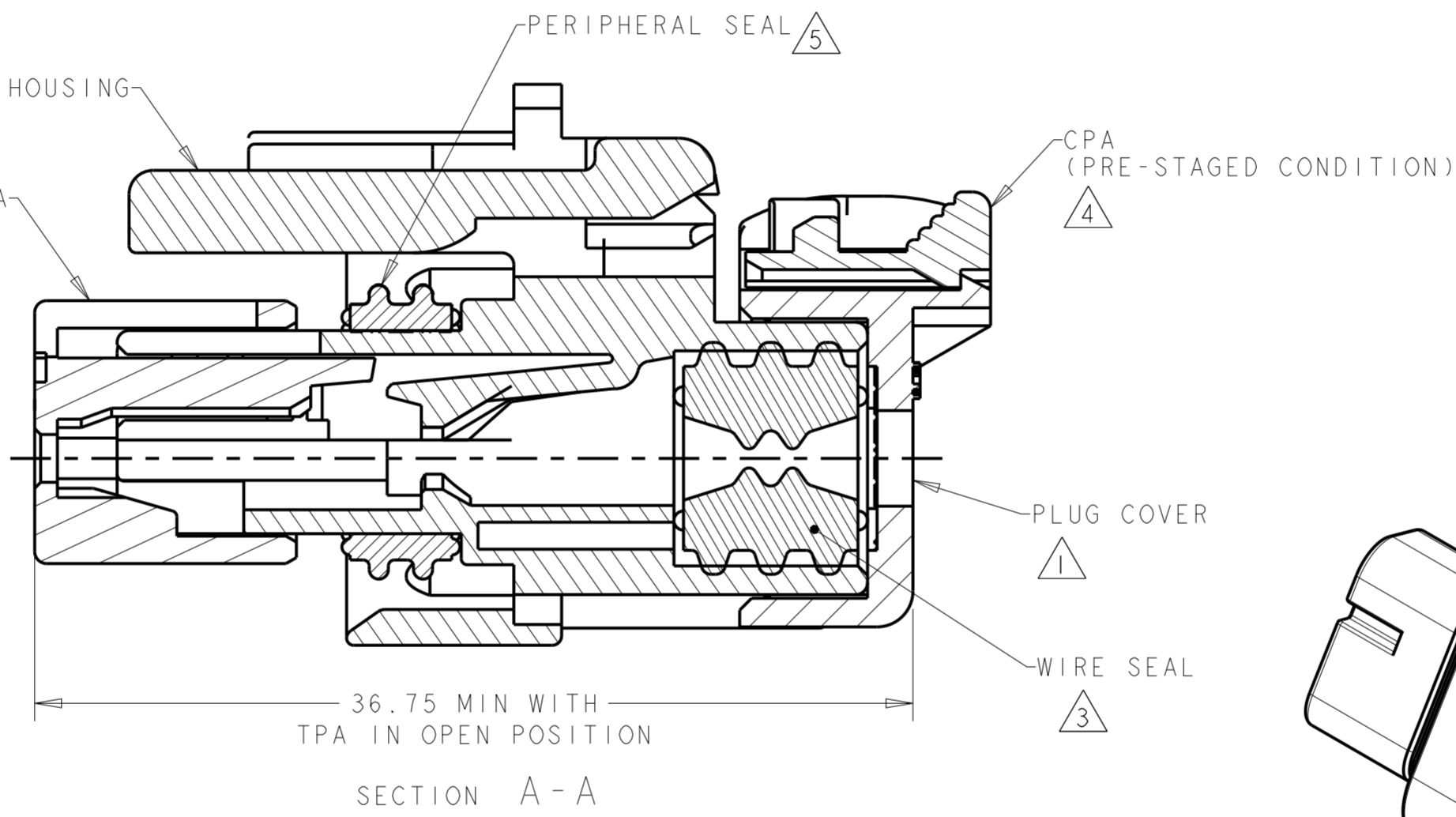
2320933-3  
SCALE 2:1  
KEY C



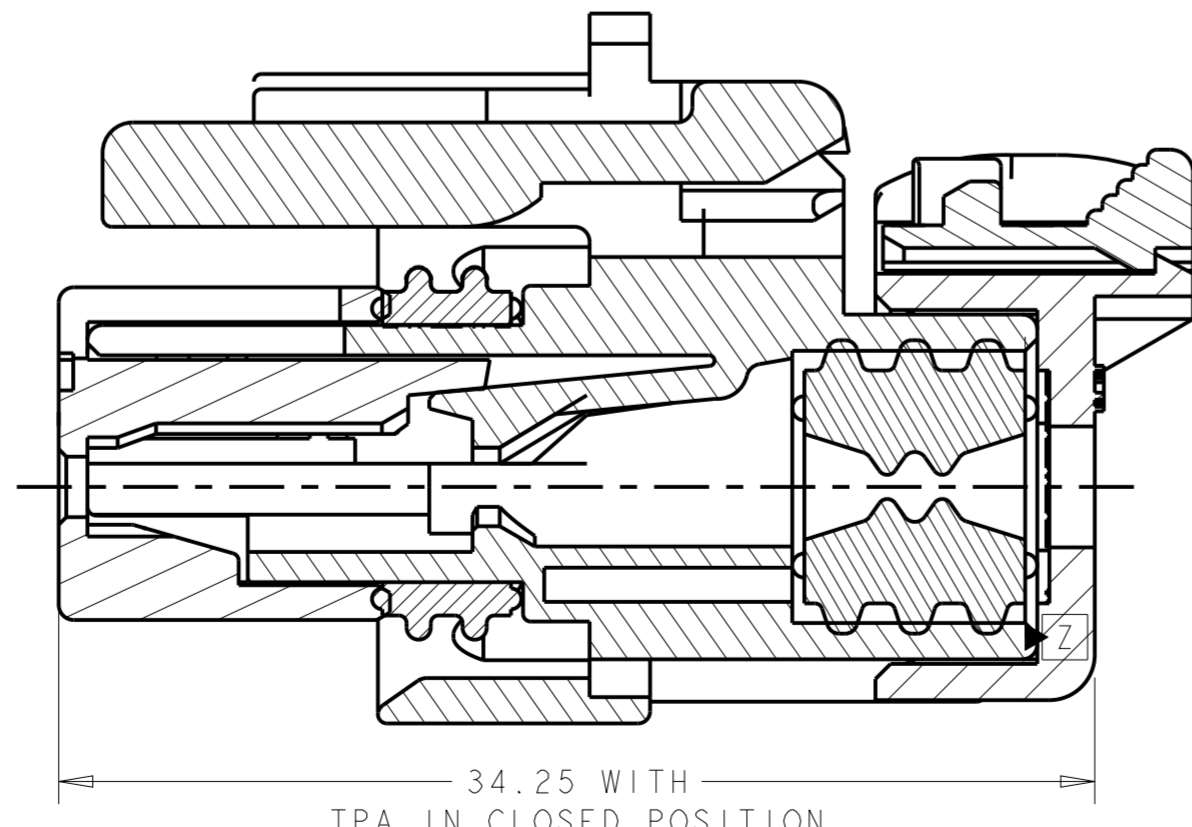
2320933-4  
SCALE 2:1  
KEY D



2320933-1 SHOWN  
KEY A

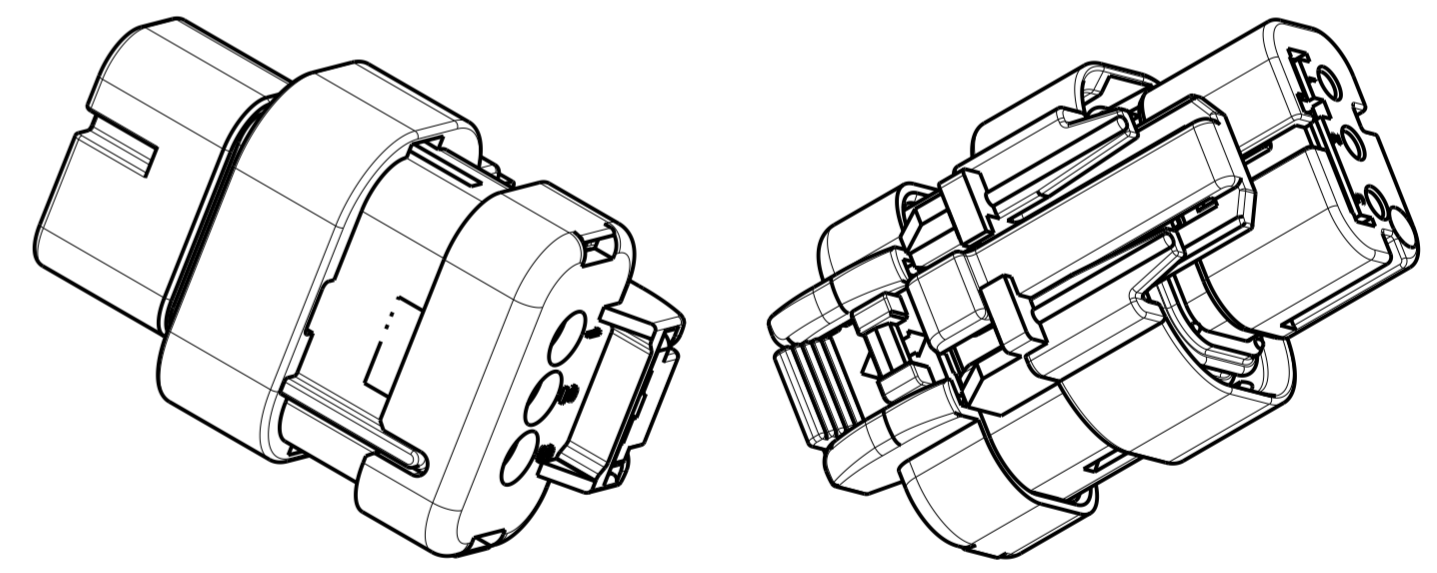


SECTION A-A



SECTION A-A

- 1 MATERIAL: 15% FIBERGLASS REINFORCED PBT  
COLOR: GRAY
- 2 MATERIAL: 15% FIBERGLASS REINFORCED PBT  
COLOR: (SEE TABLE)
- 3 MATERIAL: SILICONE  
COLOR: RUST
- 4 MATERIAL: 15% FIBERGLASS REINFORCED PBT  
COLOR: ORANGE
- 5 MATERIAL: SILICONE  
COLOR: TAN
- 6. RECOMMENDED WIRE DIAMETER RANGE IS 1.30 TO 2.54mm.
- 7. RECOMMENDED BACKSHELLS:  
STRAIGHT EXIT:  
A. 2292798-1 SMOOTH WIRE EXIT  
B. 2292798-2 NC12/NW10 CONDUIT WIRE EXIT  
C. 2292798-3 NC08/NW7.5 CONDUIT WIRE EXIT  
90° EXIT:  
D. 2302491-1 SMOOTH WIRE EXIT  
E. 2302491-2 NC12/NW10 CONDUIT WIRE EXIT  
F. 2302491-3 NC08/NW7.5 CONDUIT WIRE EXIT
- 8. RECOMMENDED SEAL PLUG: 776363-1
- 9. MATING CONNECTOR: 2320927-X.



SCALE 2:1

D	ORANGE	2320933-4
C	PURPLE	2320933-3
B	BLUE	2320933-2
A	TAN	2320933-1
KEY	TPA COLOR	PART NUMBER

THIS DRAWING IS A CONTROLLED DOCUMENT.		DWN J. MCNEAL 07FEB2018	TE Connectivity	
DIMENSIONS: mm		CHK R. BALTER 07FEB2018		
TOLERANCES UNLESS OTHERWISE SPECIFIED:		APVD R. BALTER 07FEB2018	NAME PLUG ASSEMBLY, 3 POSITION, REDUCED DIA SEAL, HIGH TEMP, AMPSEAL 16	
0 PLC ±	1 PLC ±	PRODUCT SPEC 108-32602	SIZE A2	CAGE CODE -
2 PLC ±0.30	3 PLC ±	APPLICATION SPEC 114-32362	DRAWING NO G-2320933	RESTRICTED TO -
4 PLC ±	ANGLES ±1°	WEIGHT 8g	SCALE 4:1	SHEET OF
MATERIAL -	FINISH -	CUSTOMER DRAWING	REV A	