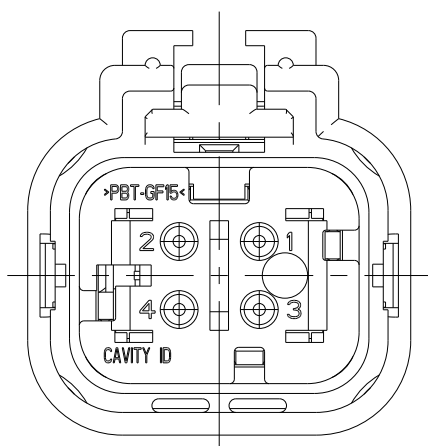
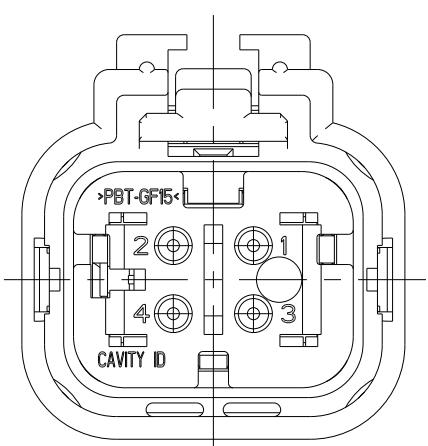


THIS DRAWING IS UNPUBLISHED. RELEASED FOR PUBLICATION
 © COPYRIGHT - ALL RIGHTS RESERVED.

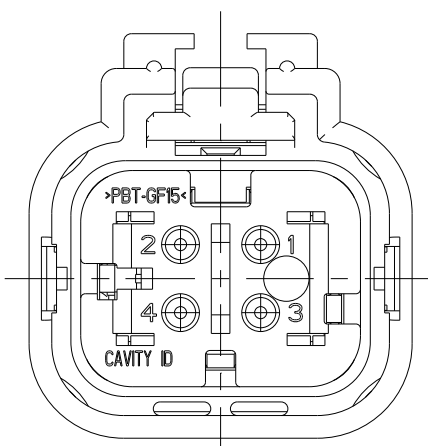
REVISIONS				
P	LTR	DESCRIPTION	DATE	APVD
A		NEW RELEASE	08APR2021	MK BC



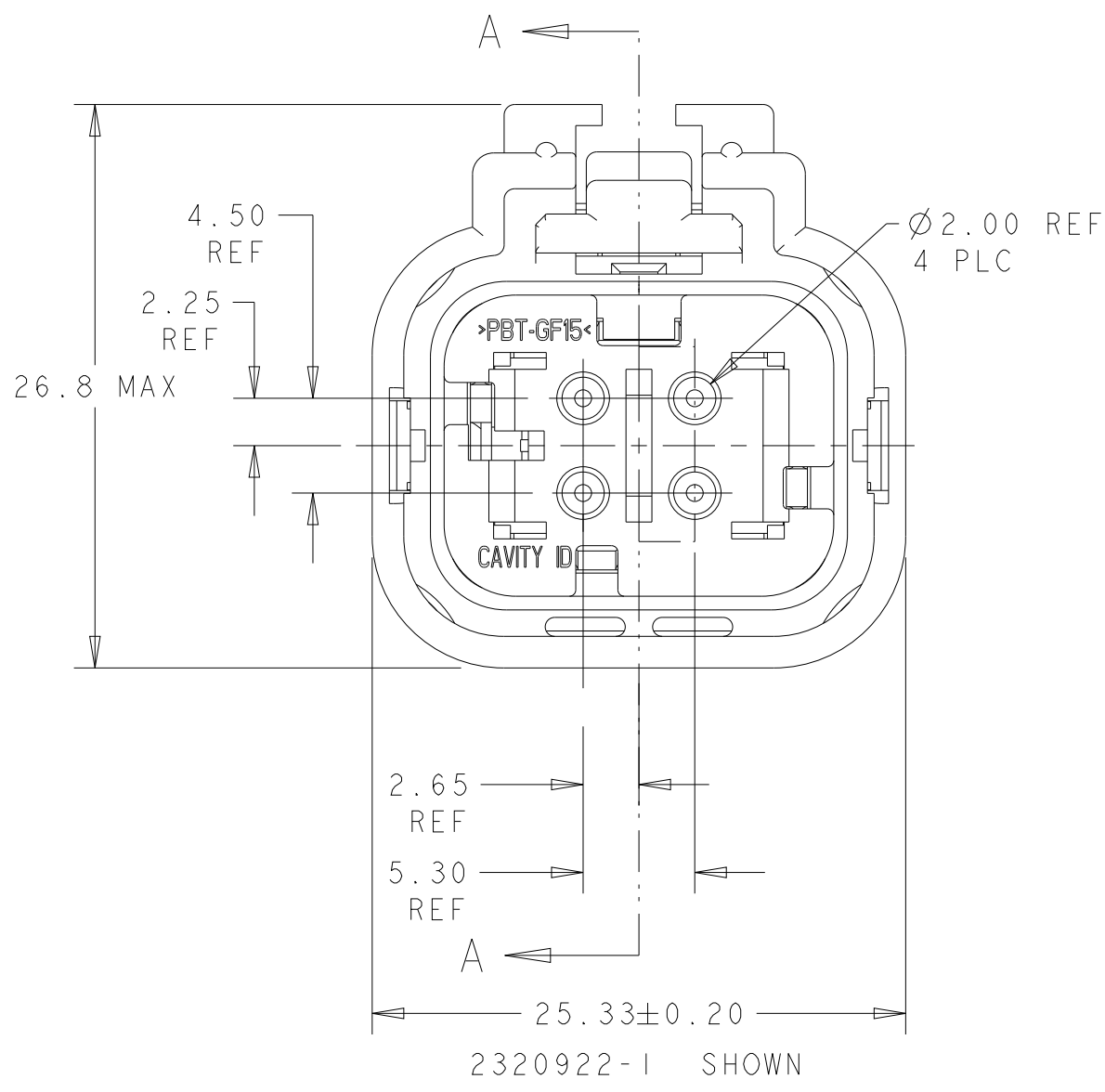
2320922-2
SCALE 2:1



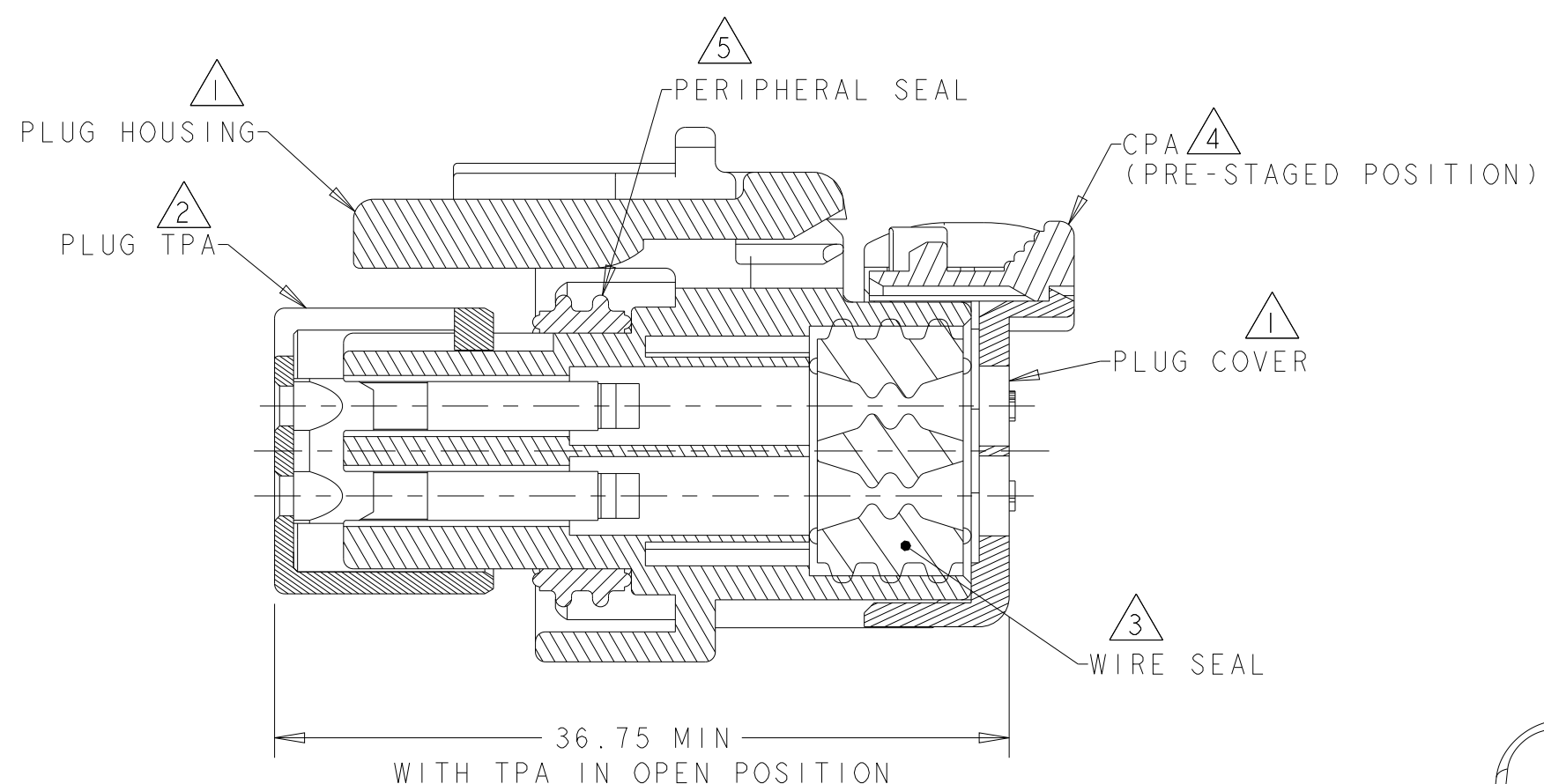
2320922-3
SCALE 2:1



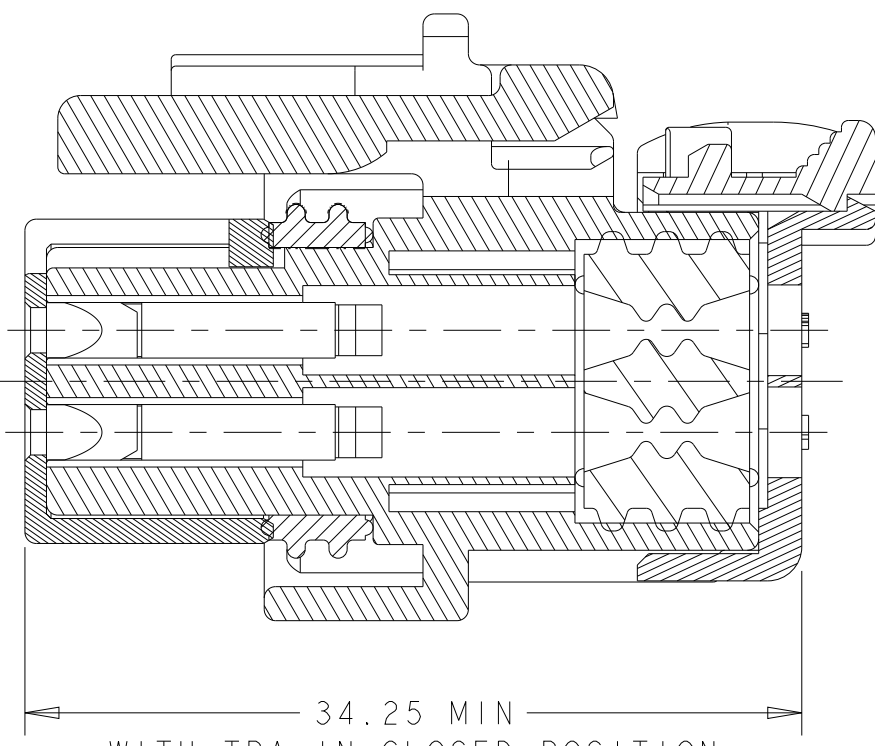
2320922-4
SCALE 2:1



2320922-1 SHOWN

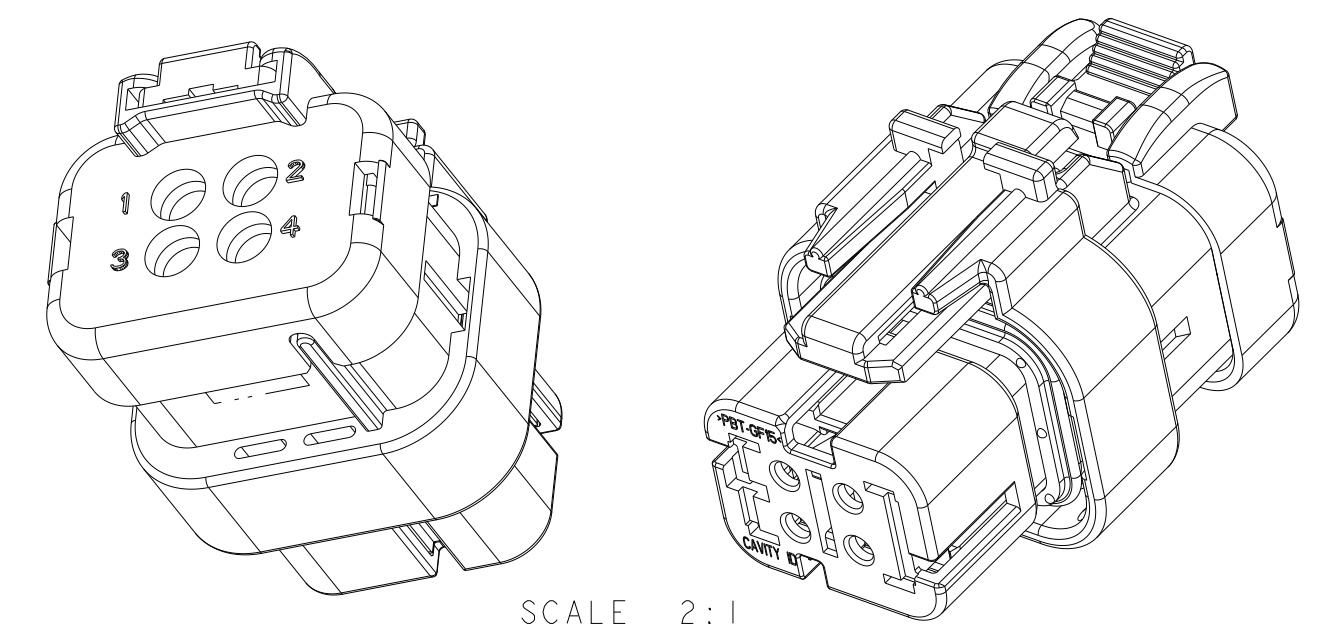


SECTION A-A



SECTION A-A

- 1 MATERIAL: 15% FIBERGLASS REINFORCED PBT
COLOR: GRAY
- 2 MATERIAL: 15% FIBERGLASS REINFORCED PBT
COLOR: (SEE TABLE)
- 3 MATERIAL: SILICONE
COLOR: RUST
- 4 MATERIAL: 15% FIBERGLASS REINFORCED PBT
COLOR: ORANGE
- 5 MATERIAL: SILICONE
COLOR: TAN
- 6. RECOMMENDED WIRE DIAMETER RANGE IS 1.30 TO 2.54mm.
- 7. RECOMMENDED BACKSHELLS:
STRAIGHT EXIT:
A. 2292799-1 SMOOTH WIRE EXIT
B. 2292799-2 NC16/NW13 CONDUIT WIRE EXIT
C. 2292799-3 NC12/NW10 CONDUIT WIRE EXIT
90° EXIT:
D. 2302492-1 SMOOTH WIRE EXIT
E. 2302492-2 NC16/NW13 CONDUIT WIRE EXIT
F. 2302492-3 NC12/NW10 CONDUIT WIRE EXIT
- 8. RECOMMENDED SEAL PLUG: 776363-1
- 9. MATING CONNECTOR: 2320928-X



D	ORANGE	2320934-4
C	PURPLE	2320934-3
B	BLUE	2320934-2
A	TAN	2320934-1
KEY	TPA COLOR	PART NUMBER

THIS DRAWING IS A CONTROLLED DOCUMENT.		DWN J MCNEAL 03APR2018	TE Connectivity	
DIMENSIONS: mm		CHK R BALTER 03APR2018		
TOLERANCES UNLESS OTHERWISE SPECIFIED:		APVD R BALTER 03APR2018	NAME	
0 PLC	±	PRODUCT SPEC	PLUG ASSEMBLY, 4 POSITION	
1 PLC	±	108-32602	REDUCED DIA SEAL, HIGH TEMP,	
2 PLC	±0.20	APPLICATION SPEC	AMPSEAL 16	
3 PLC	±	114-32362	SIZE	CAGE CODE
4 PLC	±	WEIGHT 12.5±1g	A2	-
ANGLES	±	CUSTOMER DRAWING	DRAWING NO	RESTRICTED TO
FINISH	-	SCALE 1:1	G-2320934	-
		SHEET OF	1	REV A