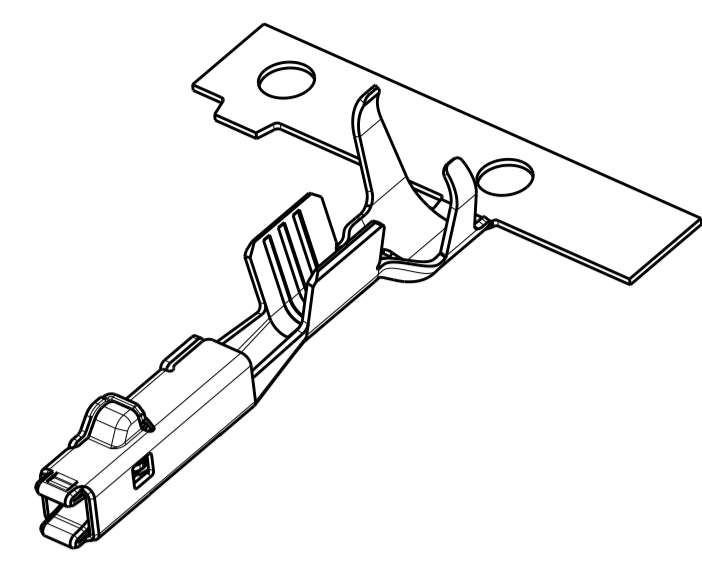
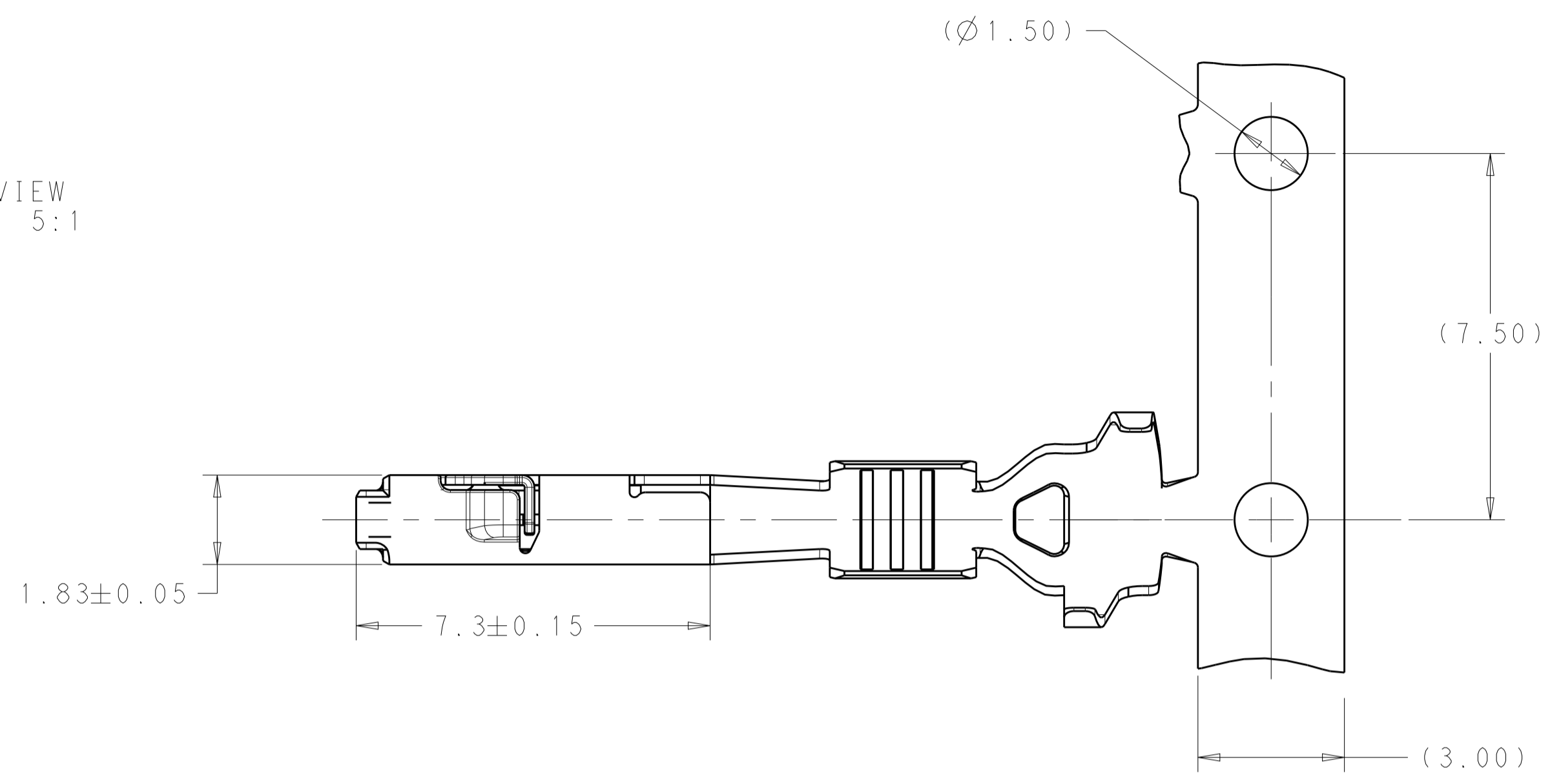


LOC	DIST	REV	LTN	DESCRIPTION	DATE	DWN	APVD
IN	00	A		REV PER ECO-17-009112	18JUL2017	HM	CR
		A1		REV PER ECO-18-004926	09APR2018	HM	FK
		A2		REV PER ECO-19-008549	08JUL2019	SY	CR



REF VIEW  
SCALE 5:1



- 1. COPPER ALLOY
- 2. PRE-PLATED WITH 1.0µm MIN TIN
- 3. TERMINAL DESIGNED TO BE USED WITH SINGLE WIRE SEAL. SEE APPLICATION SPEC 114-32121 FOR PART NUMBERS
- 4. SEE APPLICATION SPEC 114-32121 FOR ALLOWABLE INSULATION O.D.
- 5. MAX 9 TERMINALS MISSING PER REEL PERMITTED
- 6. 3 LOOSE SPLICES PER REEL ALLOWED
- 7. TERMINAL HAS LUBRICANT APPLIED. THIS IS A WHITISH COLORED LUBE. AMOUNT AND VISIBILITY MAY VARY
- 8. TERMINAL IS QUALIFIED TO GMW3191 T3(-40°C TO 125°C) AND V1(SEALED ON BODY SPRUNG MASS)

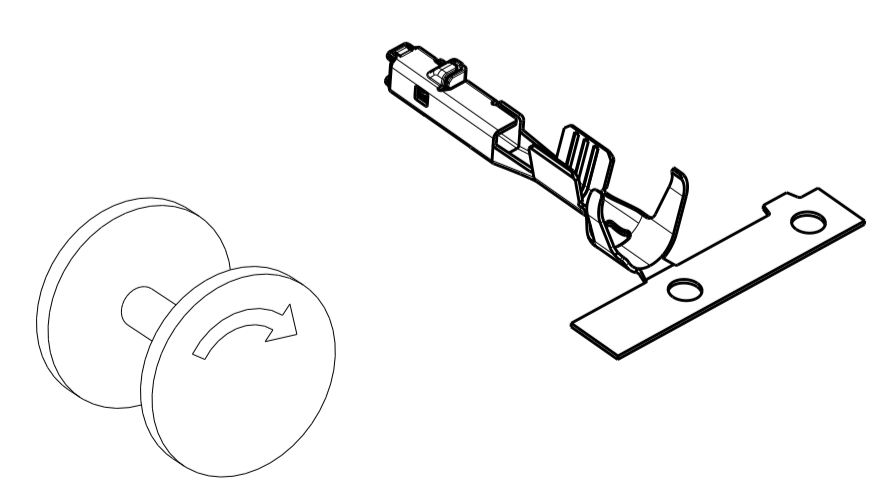
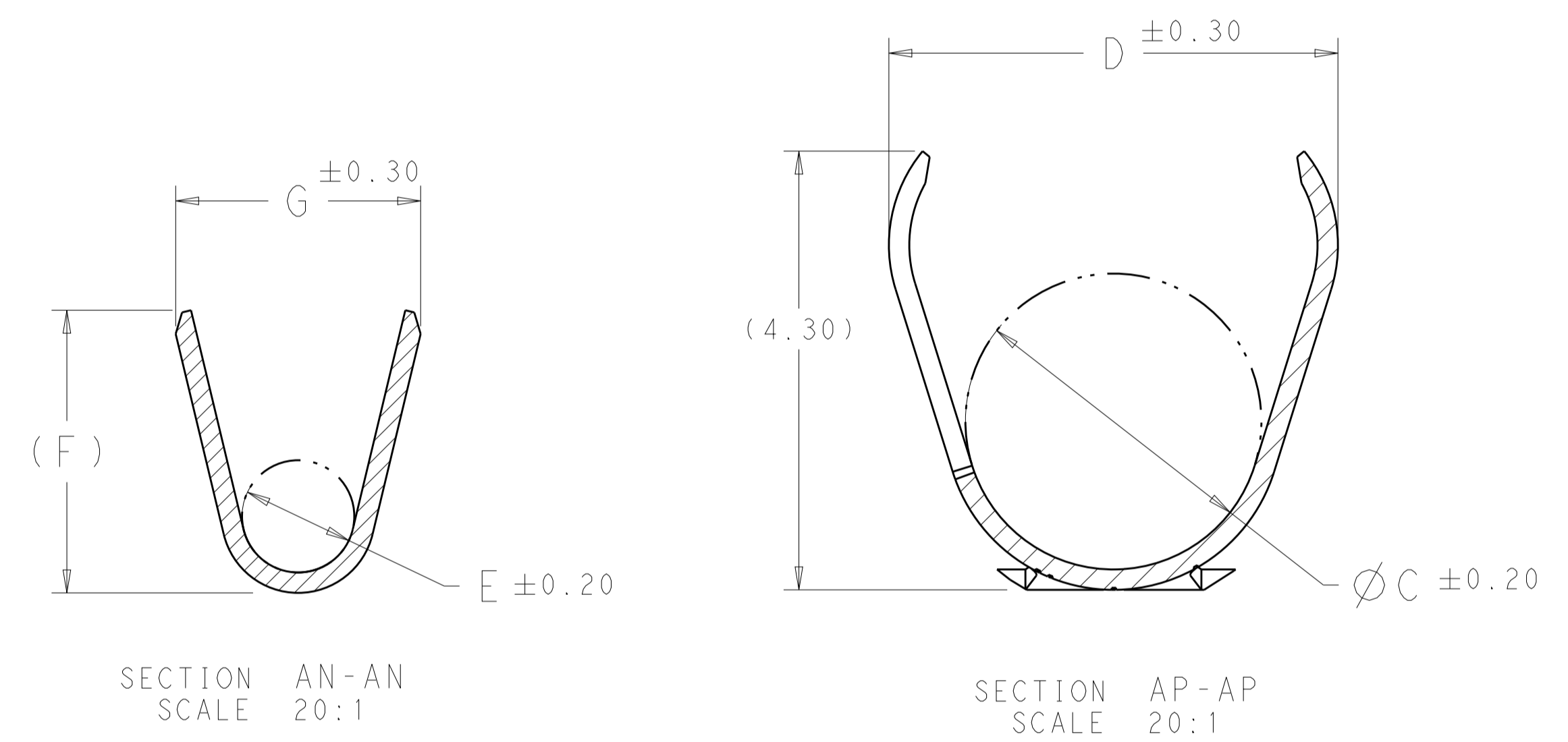
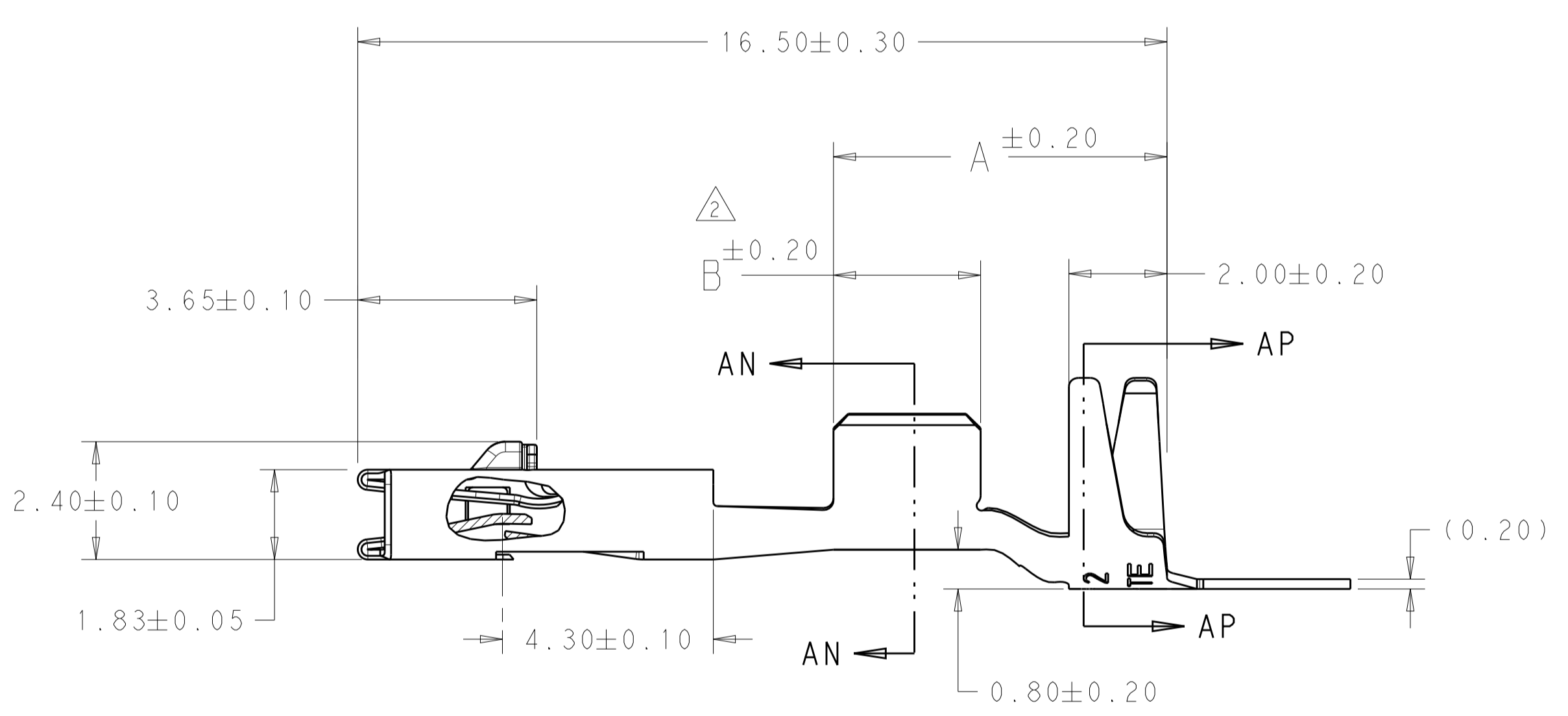


FIG 1  
REELING DIRECTION  
SCALE 3:1

0.185	FIG 1	1.80	1.80	0.80	4.20	2.60	2.60	6.40	0.35mm <sup>2</sup>	2321539-3
0.190	FIG 1	2.00	2.10	1.10	4.20	2.70	3.00	6.80	0.50mm <sup>2</sup>	2321539-2
0.200	FIG 1	2.40	2.77	1.10	4.40	2.90	3.00	6.80	0.75mm <sup>2</sup> TO 1.0mm <sup>2</sup>	2321539-1
WEIGHT (GRAMS)	REELING	G	F	E	D	C	B	A	WIRE SIZE	PART NO

THIS DRAWING IS A CONTROLLED DOCUMENT.

DIMENSIONS: mm

TOLERANCES UNLESS OTHERWISE SPECIFIED:

0 PLC	±
1 PLC	±
2 PLC	±
3 PLC	±
4 PLC	±
ANGLES	±

MATERIAL:  $\triangle$

FINISH:  $\triangle$

THIS DRAWING IS A CONTROLLED DOCUMENT.

DWN: H. MOLL 28JUL2017

CHK: C. RAYBOLD 28JUL2017

APVD: C. RAYBOLD 28JUL2017

PRODUCT SPEC: 108-32199  $\triangle$

APPLICATION SPEC: SEE NOTES

WEIGHT: SEE TABLE

CUSTOMER DRAWING

NAME: RECEPTACLE TERMINAL, TIN PLATE, SINGLE WIRE SEAL, MCON MONO 1.2

SIZE: A1

CAGE CODE: 00779

DRAWING NO: 2321539

RESTRICTED TO: -

SCALE: 10:1

SHEET: 1 OF 1

REV: A2