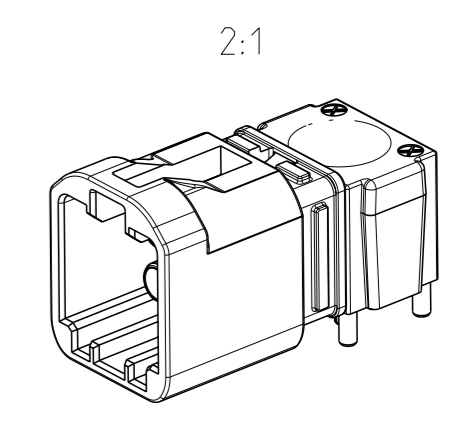
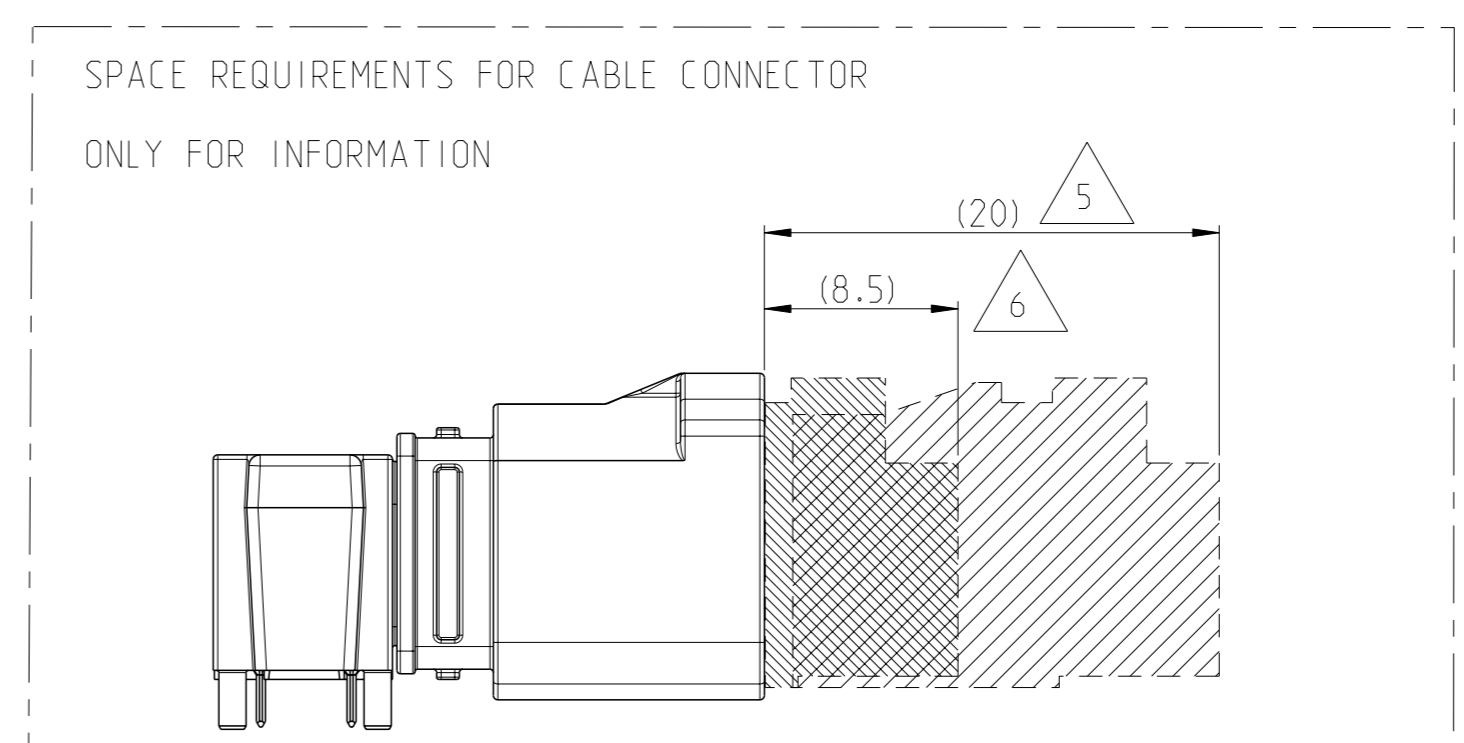
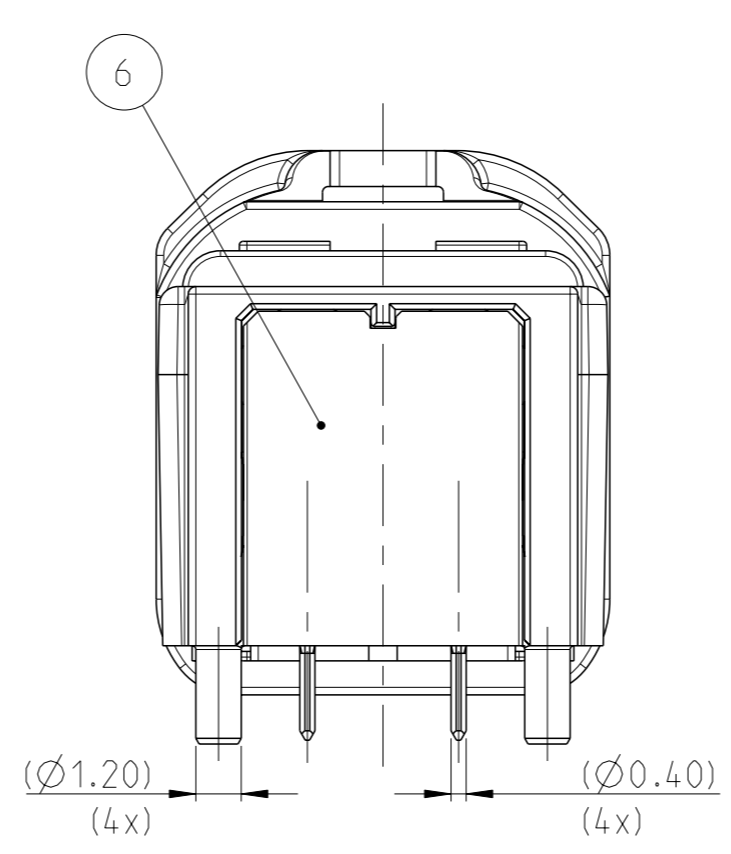
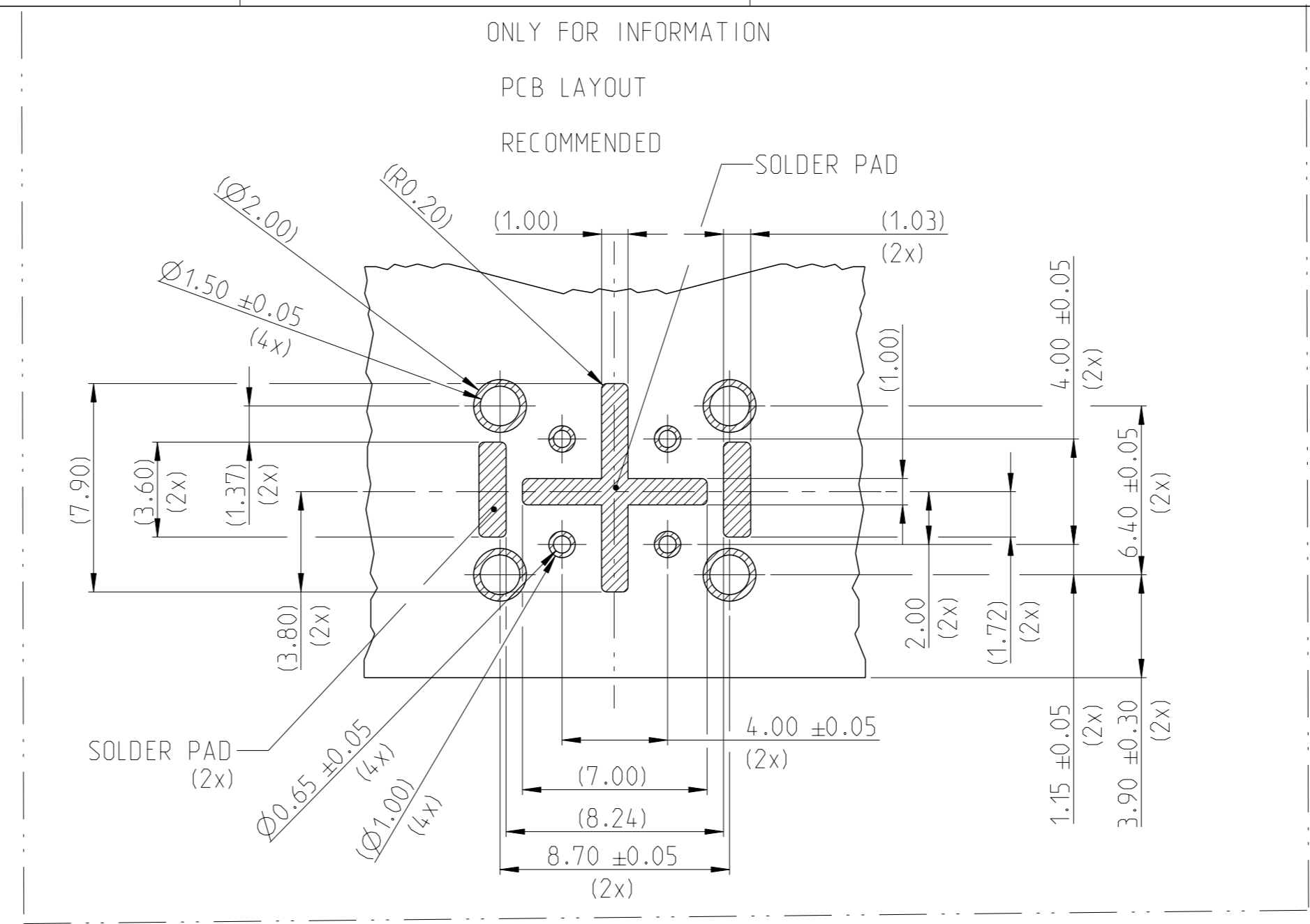


SECTION A-A



REVISIONS					
#	CLM	DESCRIPTION	DATE	OWN	APVD
A		INITIAL RELEASE	11JAN2018	D.Z	I.Y
A1		REV PER ECR-19-000028	11JAN2019	D.Z	I.Y

- 1 PACKAGING: TAPE AND REEL
- 2 MATE-AX MATING/UNMATING PLUG HOUSING ASSEMBLY ACC. TO PN:2298721-★ OR PLEASE CONTACT TE CONNECTIVITY.
- 3 ALL DIMENSIONS IN BRACKETS ( ) FOR INFORMATION ONLY
- △ 4 CENTER OF GRAVITY
- △ 5 REQUIRED SPACE FOR UNMATED CABLE CONNECTOR
- △ 6 REQUIRED SPACE FOR MATED CABLE CONNECTOR

CODINGS, STANDARD ORIENTATION							
CODING Z	CODING A	CODING B	CODING C	CODING D	CODING E	CODING F	2321775-X
CODINGS, REVERSED							
CODING Z	CODING A	CODING B	CODING C	CODING D	CODING E	CODING F	1-2321775-X

QTY	CODE	DESCRIPTION	MATERIAL	FINISH COLOUR	ITEM NO
4		SHIELDING TUBE	COPPER ALLOY	Sn: MIN. 2µm OVER Ni	8
1		SHIELDING HOUSING (OUTSIDE)	Zn ALLOY	Sn: MIN. 3µm OVER Ni	7
1		SHIELDING HOUSING (COVER)			6
2		CONTACT PIN (LONG)	COPPER ALLOY	SOLDER SIDE: MIN. 3µm Sn OVER Ni	5
2		CONTACT PIN (SHORT)		INTERFACE SIDE: MIN. 2µm Ag OVER Ni	4
2		CAVITY BLOCK (LONG)	LCP GF30	BLACK	3
2		CAVITY BLOCK (SHORT)			2
1	1	1	CODING HOUSING	POLYAMIDE	1
				WATERBLUE	
				NUT-BROWN	
				MAY GREEN	
				CLARET VIOLET	
				LIGHT BLUE	
				PURE WHITE	
				JET BLACK	

SERIE	QTY	CODE	DESCRIPTION	MATERIAL	FINISH COLOUR	ITEM NO
	-1 -2 -3 -4 -5 -6 -9		SERIE - STANDARD VERSION ASSY NO. 2321775-Y			
	1-1 1-2 1-3 1-4 1-5 1-6 1-9		SERIE - REVERSED VERSION ASSY NO. 1-2321775-Y			
	A B C D E F Z		ASSY CODE			
	A A A A A A A		REVISION			

THIS DRAWING IS A CONTROLLED DOCUMENT. OWN: D.ZHU, 20DEC2017. CHK: W.WJU, 09JAN2018. APVD: I.YIN, 11JAN2018.

DIMENSIONS: mm. TOLERANCES UNLESS OTHERWISE SPECIFIED: 0 PLC ±0.5, 1 PLC ±0.3, 2 PLC ±, 3 PLC ±, 4 PLC ±, ANGLES FINISH.

MATERIAL: -. FINISH: -. WEIGHT: -. CUSTOMER DRAWING.

PRODUCT SPEC: 108-101983. APPLICATION SPEC: 114-101091. SIZE: A1. CAGE CODE: 00779. DRAWING NO: 2321775. RESTRICTED TO: -. SCALE: 5:1. SHEET: 1 OF 1. REV: A1.

**STE** TE Connectivity  
 MATE-AX HEADER ASSY  
 4 POS 90 DEGREE  
 UNSEALED