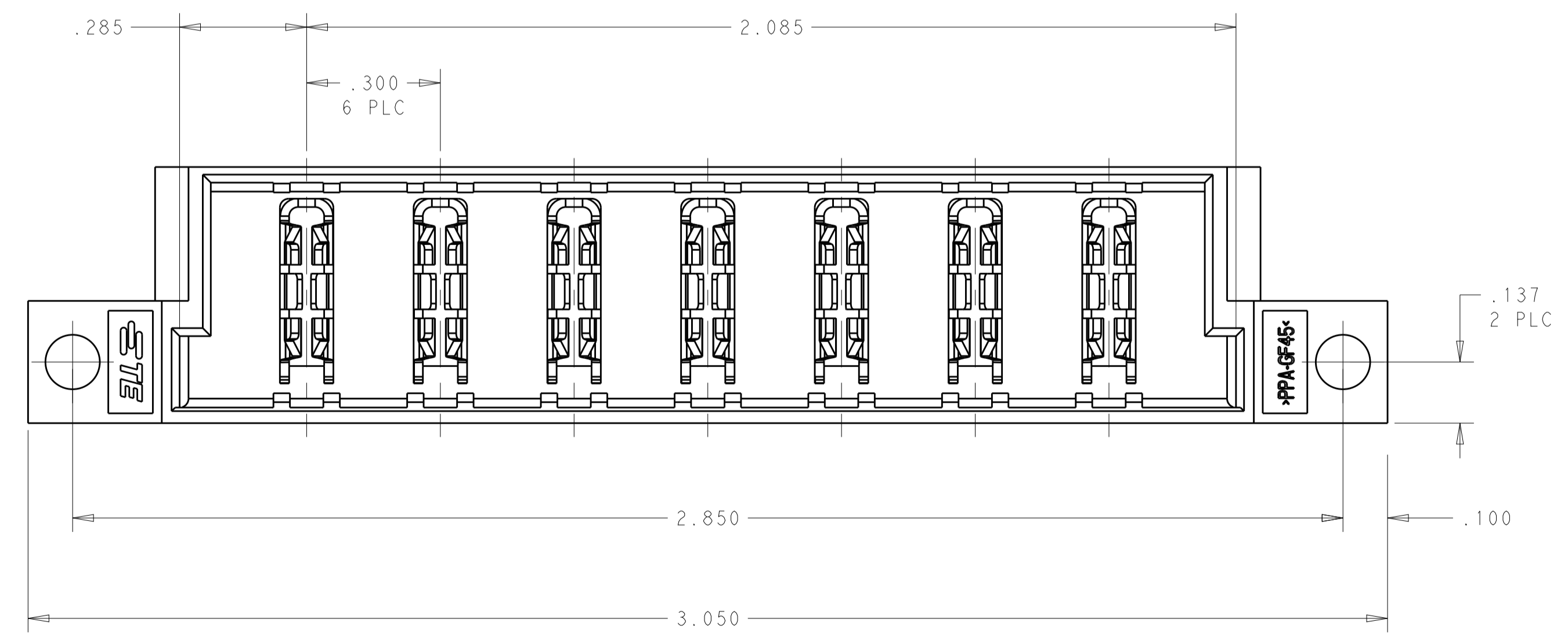
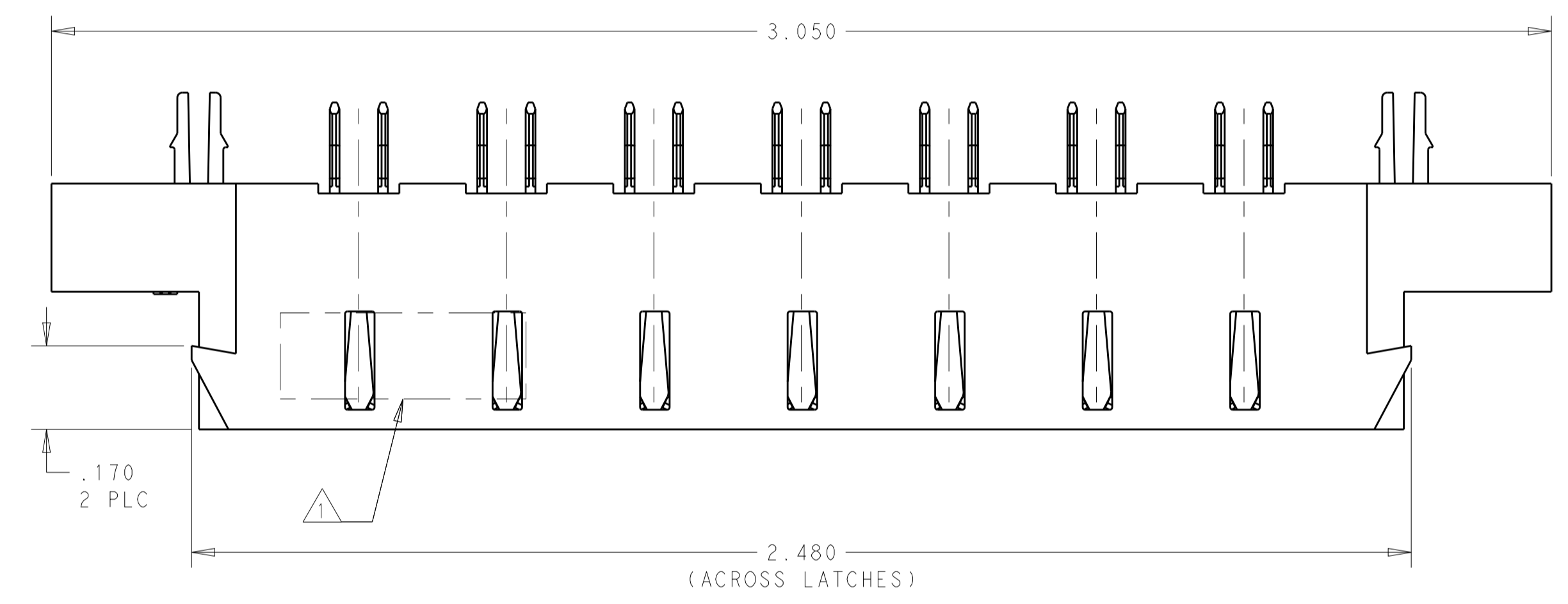
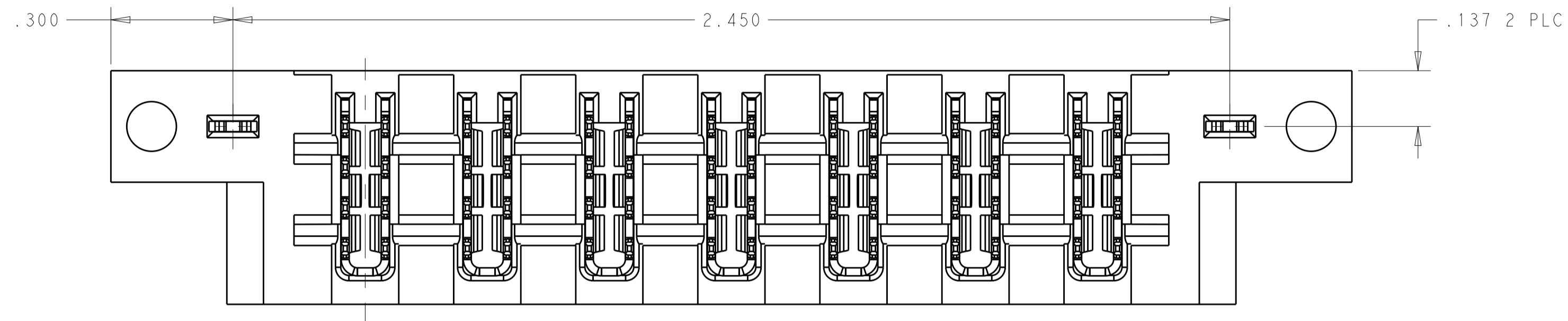
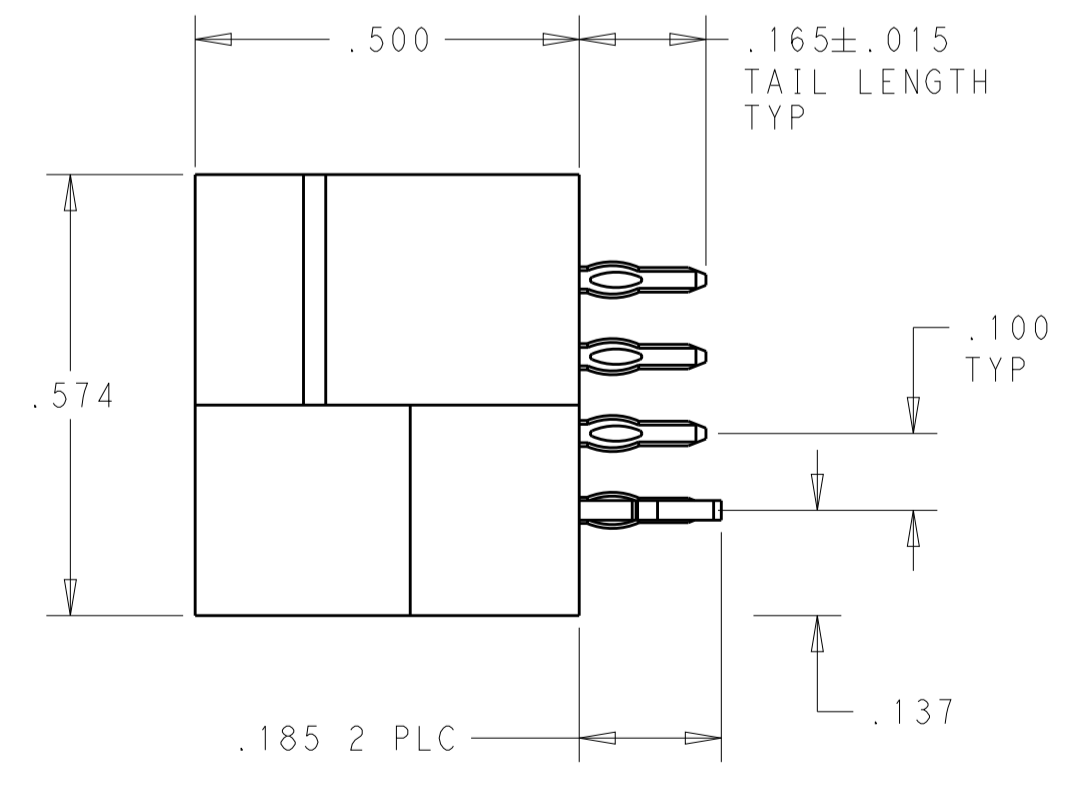


REVISIONS				
P.	LTN	DESCRIPTION	DATE	DWN APVD
1		PROPOSAL DESIGN	26 JUN 2017	WY SZ



- 1 "TE", PART NUMBER, AND DATECODE TO BE MARKED IN AREA SHOWN. PARTS UNDER 2.00 LONG MAY BE MARKED ON BOTH SIDES.
- 2 MATERIAL:
 HOUSING - GLASS FILLED HIGH TEMP THERMO PLASTIC, BLACK, UL94 V-0
 SIGNAL CONTACT - COPPER ALLOY
 POWER CONTACT - HIGH CONDUCTIVITY COPPER ALLOY
- 3 CONTACT PLATING: NOBLE METAL PLATING ON CONTACT FUNCTIONAL AREA OF POWER AND SIGNAL CONTACTS.
- 4 MECHANICAL CONNECTOR KEEP OUT ZONE.
- 5 DATUM AND BASIC DIMENSIONS ESTABLISHED BY CUSTOMER.
- 6 PCB - HOLE DIAMETERS ARE FINISHED HOLE SIZE.
- 7 PCB - .0453±.0010 DRILLED HOLES PLATED WITH .0003 MIN Sn OVER .001 TO .003 Cu PLATING TO ACHIEVE A .040 ±.003 HOLE.



7ACP	2322124-9
DESCRIPTION	PART NUMBER

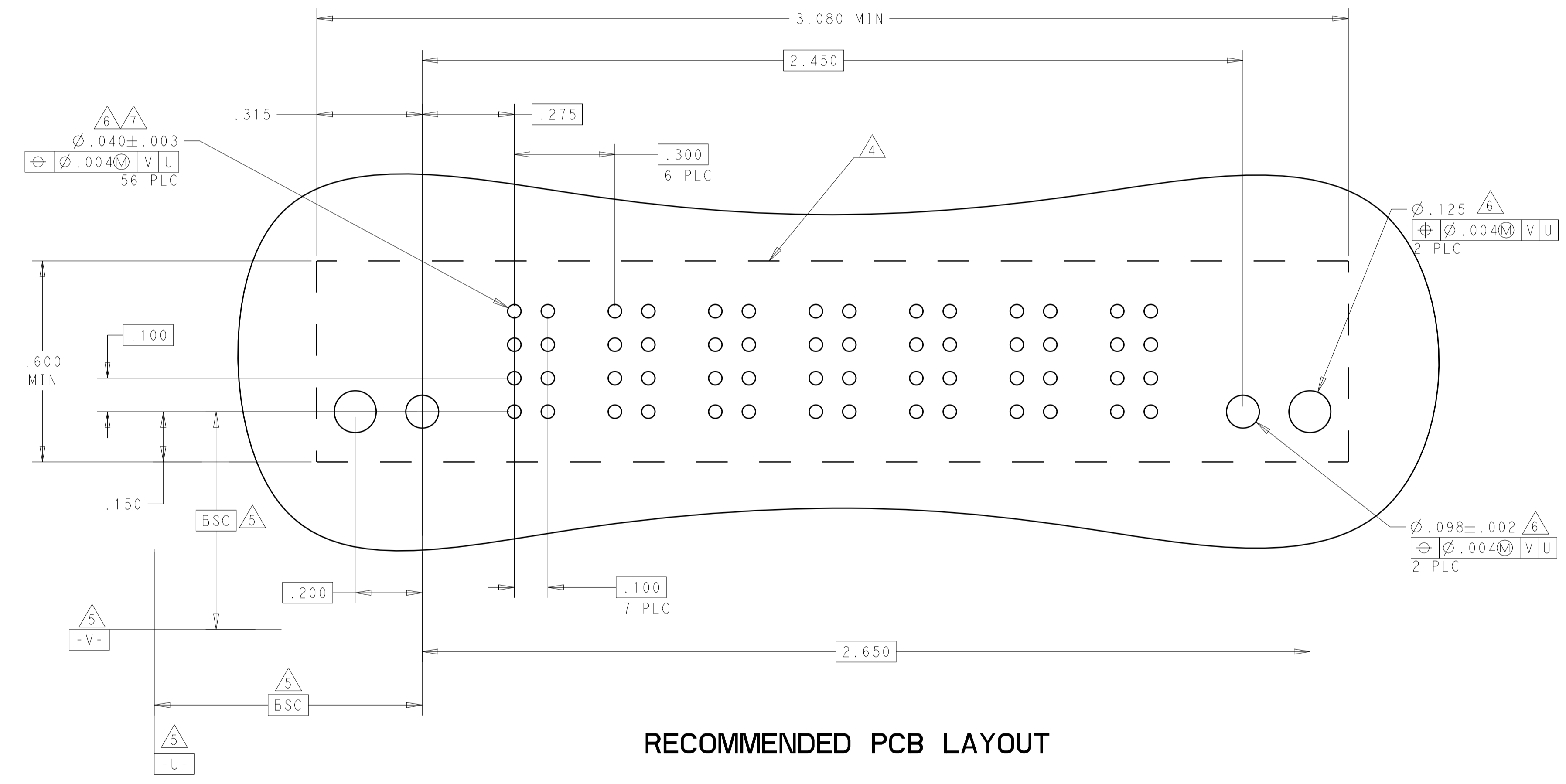
THIS DRAWING IS A CONTROLLED DOCUMENT.		DWN: 26 JUN 2017	TE Connectivity NAME: VERTICAL HEADER, PRESS FIT MULTI-BEAM XLE PRODUCT SPEC: 108-2292 APPLICATION SPEC: 114-13251 SIZE: A1 CAGE CODE: 2322124-9 DRAWING NO: 2322124-9 RESTRICTED TO: - WEIGHT: - CUSTOMER DRAWING: - SCALE: 4:1 SHEET: 1 of 2 REV: 1
DIMENSIONS: INCHES	TOLERANCES UNLESS OTHERWISE SPECIFIED:	CHK: 26 JUN 2017	
0 PLC ±. 1 PLC ±. 2 PLC ±. 3 PLC ±.005 4 PLC ±.0020 ANGLES ±.0°	FINISH: 3	APVD: 26 JUN 2017	
		APVD: 26 JUN 2017	

PROPOSAL ONLY

REVISIONS				
P.	LTN	DESCRIPTION	DATE	APVD
-	-	SEE SHEET 1	-	-

PART NUMBER	ROWS	POWER						
		P1	P2	P3	P4	P5	P6	P7
2322124-9	D							
	C	VM	VM	VM	VM	VM	VM	
	B							
	A	HD						HD

TACP



RECOMMENDED PCB LAYOUT

STD PRESS FIT POWER CONTACT, .165 TAIL LENGTH		VM
HOLD DOWN, MULTI-BEAM		HD
DESCRIPTION		IDENTIFIER
STE TE Connectivity		
THIS DRAWING IS A CONTROLLED DOCUMENT.		DWN: 26JUN2017 CHK: 26JUN2017 WY: 26JUN2017 APVD: 26JUN2017
DIMENSIONS:	TOLERANCES UNLESS OTHERWISE SPECIFIED:	NAME: VERTICAL HEADER, PRESS FIT MULTI-BEAM XLE
INCHES	0 PLC ± 1 PLC ± 2 PLC ± 3 PLC ±.005 4 PLC ±.0020 ANGLES ±.2°	PRODUCT SPEC: 108-2292 APPLICATION SPEC: 114-13251 WEIGHT: -
MATERIAL: 2	FINISH: 3	SIZE: A1 CAGE CODE: 00779 DRAWING NO: 2322124-9 RESTRICTED TO: -
CUSTOMER DRAWING		SCALE: 4:1 SHEET 2 OF 2 REV 1