

THIS DRAWING IS UNPUBLISHED.

RELEASED FOR PUBLICATION

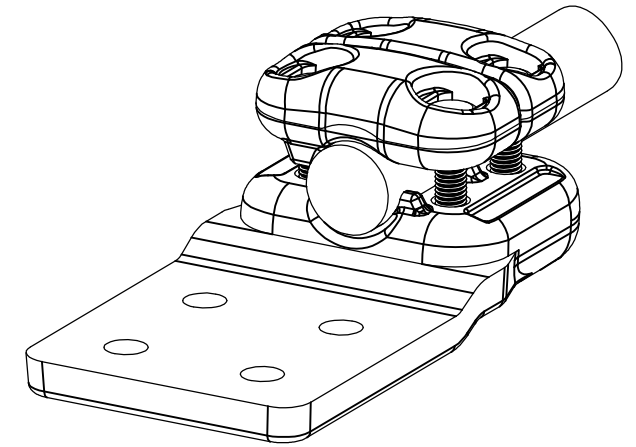
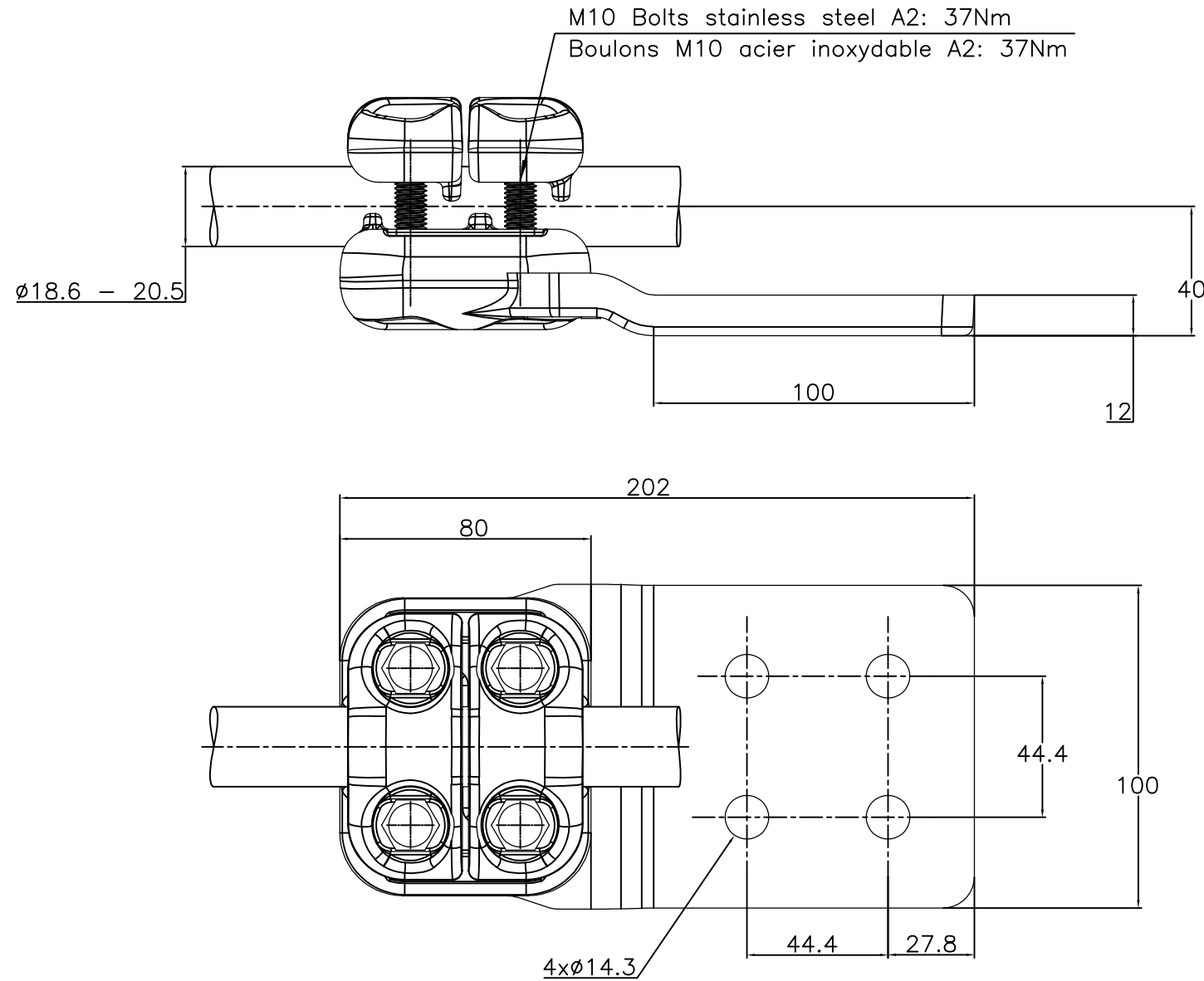
-. - .

© COPYRIGHT - By -


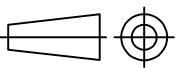
ALL RIGHTS RESERVED.

REVISIONS

P	LTR	DESCRIPTION	DATE	DWN	APVD
	A	CREATION	27-JUN-17	GL	-



ITEM:.....

THIS DRAWING IS A CONTROLLED DOCUMENT.		DWN	29-JUN-17		 TE Connectivity
		CHK	-		
		APVD	-		
		PRODUCT SPEC	108-69096-001		
DIMENSIONS: mm 		TOLERANCES UNLESS OTHERWISE SPECIFIED: 0 PLC ± - 1 PLC ± - 2 PLC ± - 3 PLC ± - 4 PLC ± - ANGLES ± -		NAME	CONNECTOR FOR CABLE TO PAD RACCORD A PLAGE POUR CABLE 5 PD 82 S205 100 C290
MATERIAL		APPROX.WEIGHT	1.1 kg	SIZE	A3
		FINISH	-	CAGE CODE	00779
		CUSTOMER DRAWING		DRAWING NO	C=2322196
				RESTRICTED TO	-
				SCALE	1:2
				SHEET	1 OF 1
				REV	A