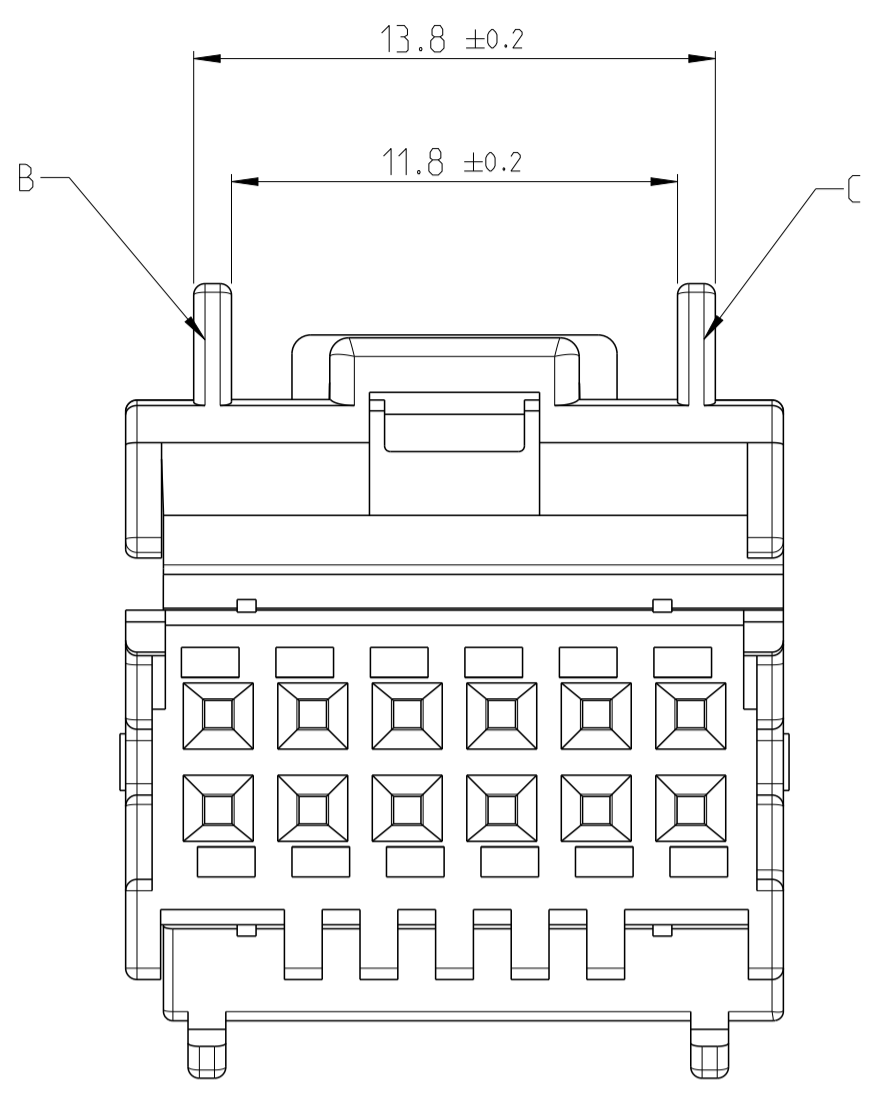
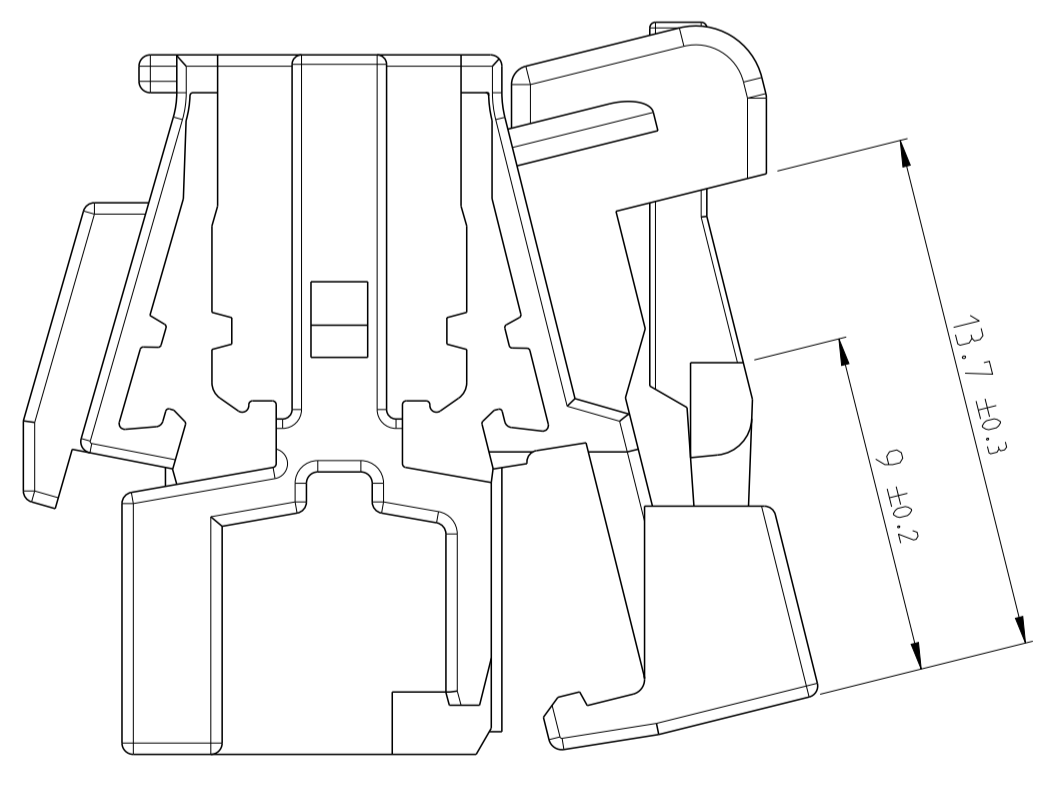
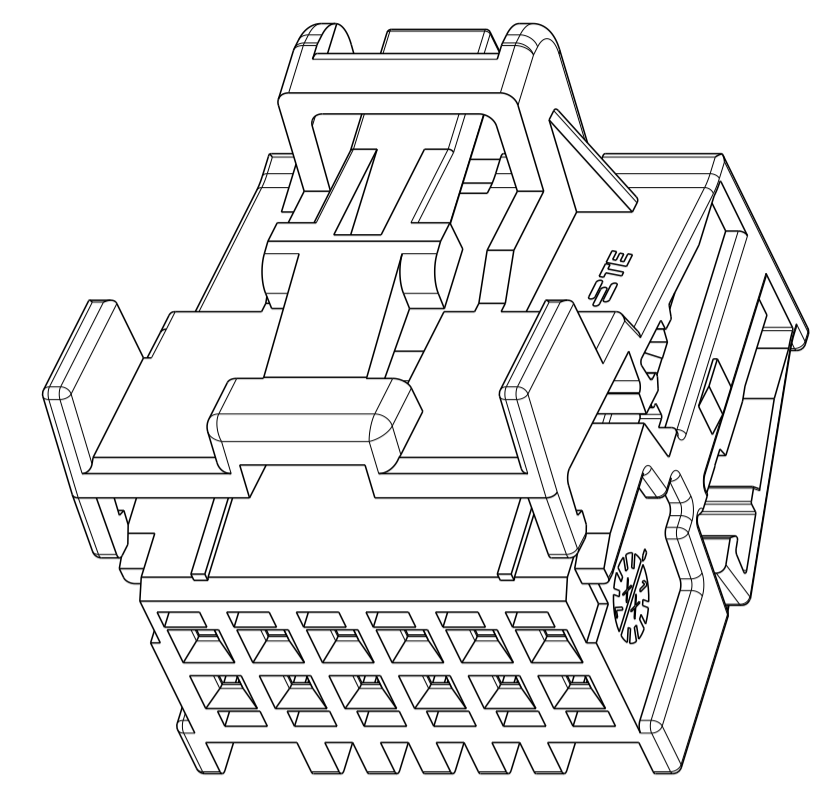
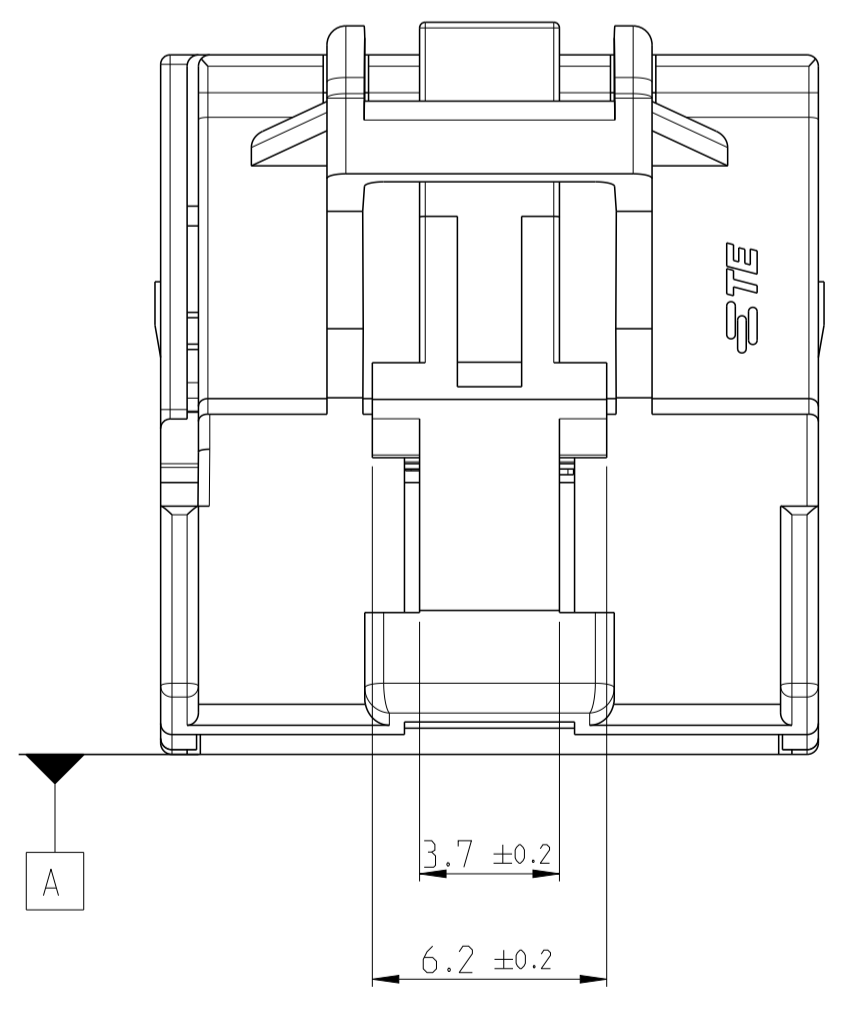
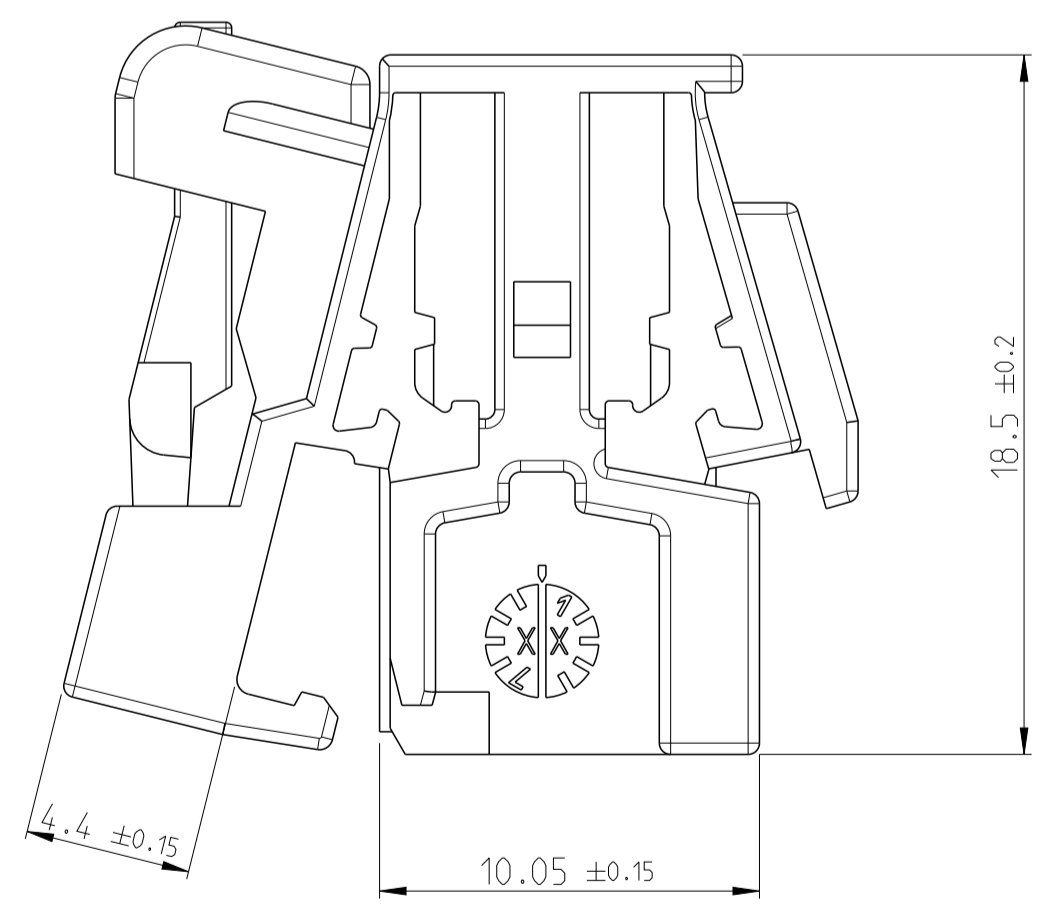
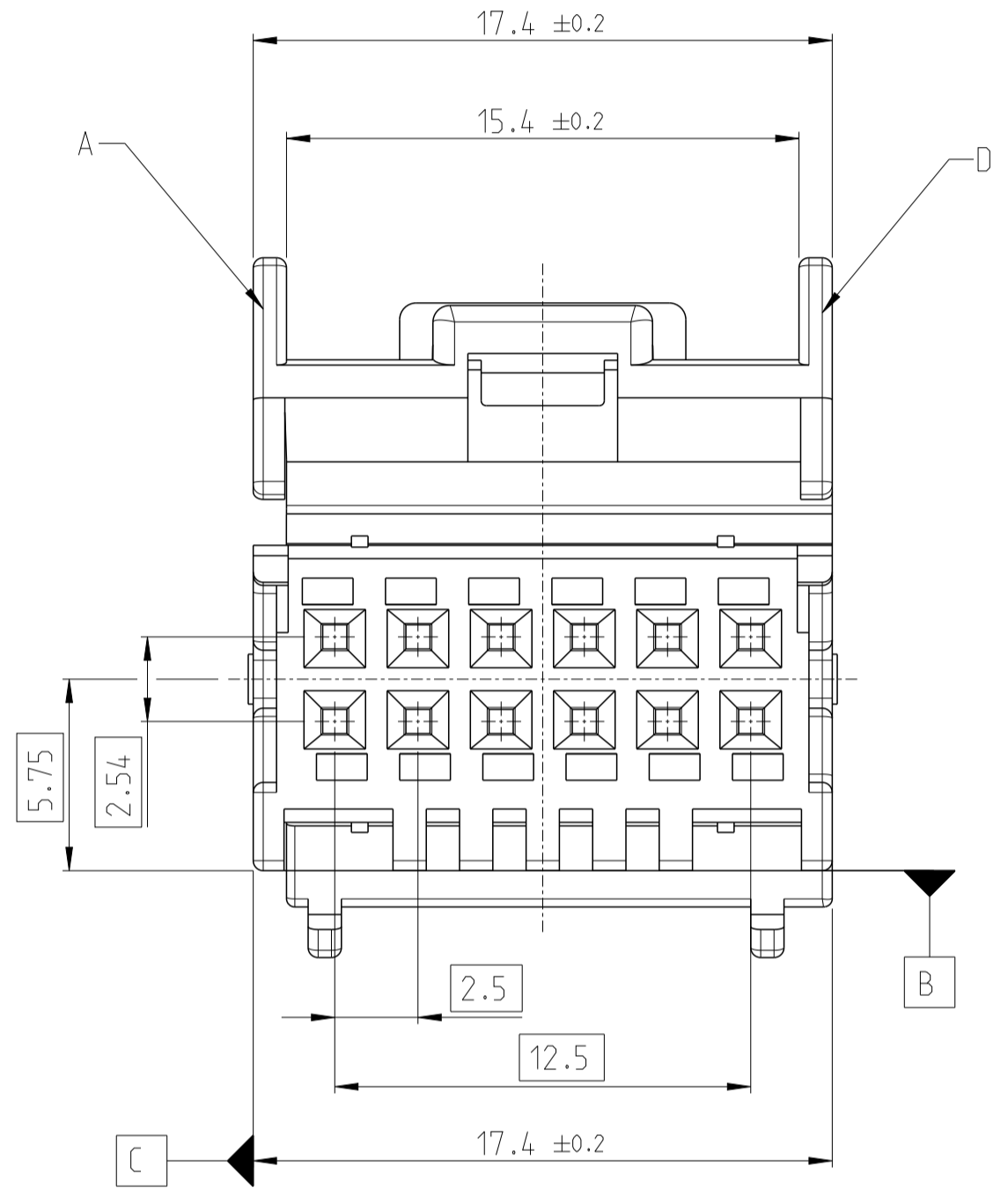


2 CODING B.C
2322637-2 AS SHOWN

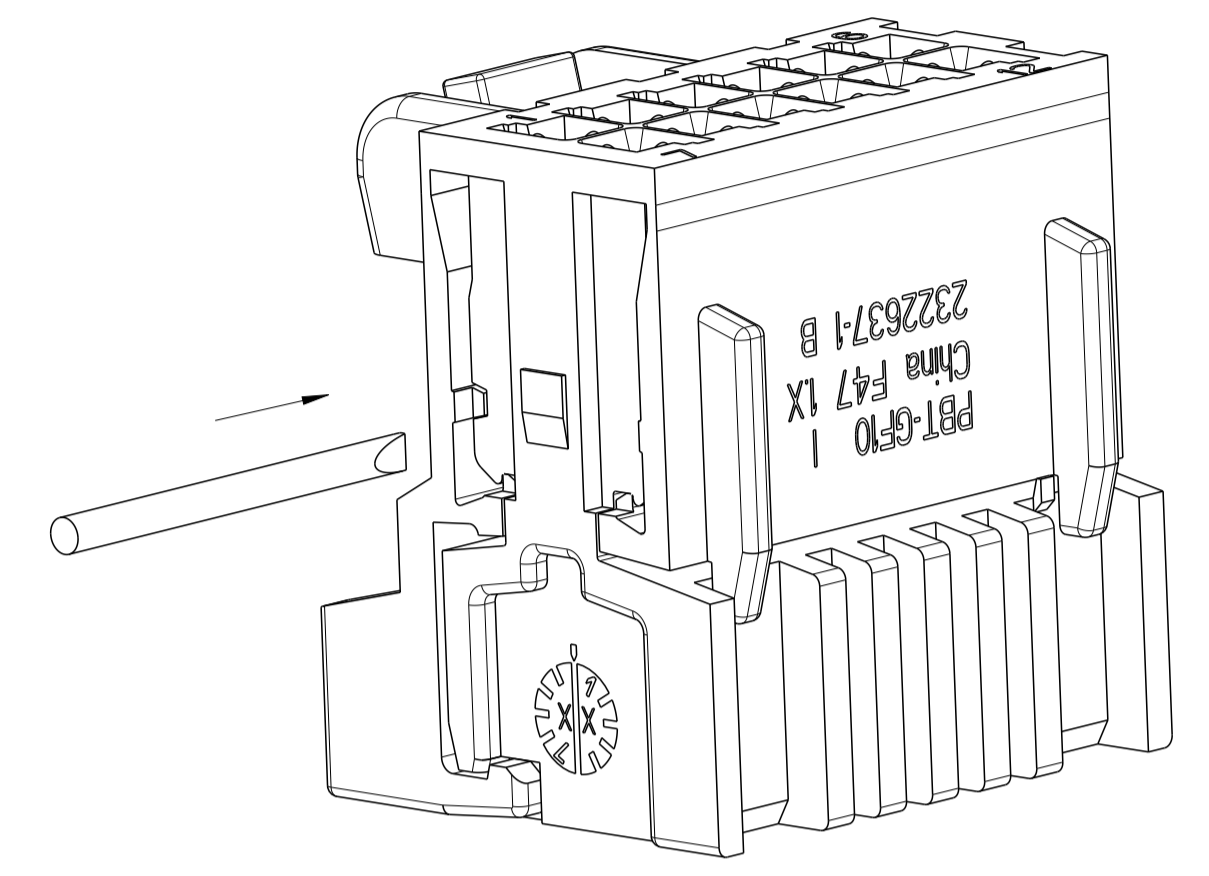


1 CODING A.D
2322637-1 AS SHOWN



REVISIONS				
REV	LTN	DESCRIPTION	DATE	APVD
A		NEW PRODUCT RELEASED	10AUG2017	T.D
B1		ADD NOTE 7	9JAN2023	R.L
B2		REMOVED NOTE 7	20JUN2024	SDT

RETAINER CLOSED SITUATION



△ OPEN GUIDE:
TO OPEN THE LOCKED RETAINER, USE A Ø1X0.18MM SCREWERIVER AND PUSH IT IN THE SHOW OPENING

NOTES B2

- MATING PART EXECUTION ACCORDING TO TE INTERFACE 114-101074
 - SUITABLE CONTACT 1355717, 928999, 963715
 - SUITABLE MATING HOUSING 2322610/2322613
 - MATERIAL REMOVAL OPTIONAL IN EXECUTION AND POSITION ACCORDING TO MANUFACTURE POSSIBLE
 - PACKAGE: LOOSE PIECE IN CARTON BOX
- △ CONDITION ON DELIVERY:
SECONDARY LOCK DEVICE SHOULD BE IN PRELOCK POSITION -- IF IN ENDOCK POSITION AFTER TRANSPORTATION, PLEASE REOPEN IT IN ACCORDANCE THE OPENING GUIDE

TE-PART NO	REV.	COD.	MATERIAL	COLOUR	RAL	VOLUME [cm ³]	WEIGHT [g]	POS.
2322637-4	B	B.D	PBT-GF10	BLUE	5012	1.976	2.71	4
2322637-3	B	A.C	PBT-GF10	GREEN	6018	1.976	2.71	3
2322637-2	B	B.C	PBT-GF10	BROWN	1011	1.976	2.71	2
2322637-1	B	A.D	PBT-GF10	BLACK	9011	1.976	2.71	1

THIS DRAWING IS A CONTROLLED DOCUMENT.		OWN: T.DDNG 10AUG2017																																																																																																																																																								
DIMENSIONS: mm		CHK: S.WANG 10AUG2017																																																																																																																																																								
TOLERANCES UNLESS OTHERWISE SPECIFIED		APVD: L.YIN 10AUG2017																																																																																																																																																								
<table border="1"> <tr><td>0</td><td>PLC</td><td>#</td></tr> <tr><td>1</td><td>PLC</td><td>#</td></tr> <tr><td>2</td><td>PLC</td><td>#</td></tr> <tr><td>3</td><td>PLC</td><td>#</td></tr> <tr><td>4</td><td>PLC</td><td>#</td></tr> <tr><td>5</td><td>PLC</td><td>#</td></tr> <tr><td>6</td><td>PLC</td><td>#</td></tr> <tr><td>7</td><td>PLC</td><td>#</td></tr> <tr><td>8</td><td>PLC</td><td>#</td></tr> <tr><td>9</td><td>PLC</td><td>#</td></tr> <tr><td>10</td><td>PLC</td><td>#</td></tr> <tr><td>11</td><td>PLC</td><td>#</td></tr> <tr><td>12</td><td>PLC</td><td>#</td></tr> <tr><td>13</td><td>PLC</td><td>#</td></tr> <tr><td>14</td><td>PLC</td><td>#</td></tr> <tr><td>15</td><td>PLC</td><td>#</td></tr> <tr><td>16</td><td>PLC</td><td>#</td></tr> <tr><td>17</td><td>PLC</td><td>#</td></tr> <tr><td>18</td><td>PLC</td><td>#</td></tr> <tr><td>19</td><td>PLC</td><td>#</td></tr> <tr><td>20</td><td>PLC</td><td>#</td></tr> <tr><td>21</td><td>PLC</td><td>#</td></tr> <tr><td>22</td><td>PLC</td><td>#</td></tr> <tr><td>23</td><td>PLC</td><td>#</td></tr> <tr><td>24</td><td>PLC</td><td>#</td></tr> <tr><td>25</td><td>PLC</td><td>#</td></tr> <tr><td>26</td><td>PLC</td><td>#</td></tr> <tr><td>27</td><td>PLC</td><td>#</td></tr> <tr><td>28</td><td>PLC</td><td>#</td></tr> <tr><td>29</td><td>PLC</td><td>#</td></tr> <tr><td>30</td><td>PLC</td><td>#</td></tr> <tr><td>31</td><td>PLC</td><td>#</td></tr> <tr><td>32</td><td>PLC</td><td>#</td></tr> <tr><td>33</td><td>PLC</td><td>#</td></tr> <tr><td>34</td><td>PLC</td><td>#</td></tr> <tr><td>35</td><td>PLC</td><td>#</td></tr> <tr><td>36</td><td>PLC</td><td>#</td></tr> <tr><td>37</td><td>PLC</td><td>#</td></tr> <tr><td>38</td><td>PLC</td><td>#</td></tr> <tr><td>39</td><td>PLC</td><td>#</td></tr> <tr><td>40</td><td>PLC</td><td>#</td></tr> <tr><td>41</td><td>PLC</td><td>#</td></tr> <tr><td>42</td><td>PLC</td><td>#</td></tr> <tr><td>43</td><td>PLC</td><td>#</td></tr> <tr><td>44</td><td>PLC</td><td>#</td></tr> <tr><td>45</td><td>PLC</td><td>#</td></tr> <tr><td>46</td><td>PLC</td><td>#</td></tr> <tr><td>47</td><td>PLC</td><td>#</td></tr> <tr><td>48</td><td>PLC</td><td>#</td></tr> <tr><td>49</td><td>PLC</td><td>#</td></tr> <tr><td>50</td><td>PLC</td><td>#</td></tr> </table>		0		PLC	#	1	PLC	#	2	PLC	#	3	PLC	#	4	PLC	#	5	PLC	#	6	PLC	#	7	PLC	#	8	PLC	#	9	PLC	#	10	PLC	#	11	PLC	#	12	PLC	#	13	PLC	#	14	PLC	#	15	PLC	#	16	PLC	#	17	PLC	#	18	PLC	#	19	PLC	#	20	PLC	#	21	PLC	#	22	PLC	#	23	PLC	#	24	PLC	#	25	PLC	#	26	PLC	#	27	PLC	#	28	PLC	#	29	PLC	#	30	PLC	#	31	PLC	#	32	PLC	#	33	PLC	#	34	PLC	#	35	PLC	#	36	PLC	#	37	PLC	#	38	PLC	#	39	PLC	#	40	PLC	#	41	PLC	#	42	PLC	#	43	PLC	#	44	PLC	#	45	PLC	#	46	PLC	#	47	PLC	#	48	PLC	#	49	PLC	#	50	PLC
0	PLC	#																																																																																																																																																								
1	PLC	#																																																																																																																																																								
2	PLC	#																																																																																																																																																								
3	PLC	#																																																																																																																																																								
4	PLC	#																																																																																																																																																								
5	PLC	#																																																																																																																																																								
6	PLC	#																																																																																																																																																								
7	PLC	#																																																																																																																																																								
8	PLC	#																																																																																																																																																								
9	PLC	#																																																																																																																																																								
10	PLC	#																																																																																																																																																								
11	PLC	#																																																																																																																																																								
12	PLC	#																																																																																																																																																								
13	PLC	#																																																																																																																																																								
14	PLC	#																																																																																																																																																								
15	PLC	#																																																																																																																																																								
16	PLC	#																																																																																																																																																								
17	PLC	#																																																																																																																																																								
18	PLC	#																																																																																																																																																								
19	PLC	#																																																																																																																																																								
20	PLC	#																																																																																																																																																								
21	PLC	#																																																																																																																																																								
22	PLC	#																																																																																																																																																								
23	PLC	#																																																																																																																																																								
24	PLC	#																																																																																																																																																								
25	PLC	#																																																																																																																																																								
26	PLC	#																																																																																																																																																								
27	PLC	#																																																																																																																																																								
28	PLC	#																																																																																																																																																								
29	PLC	#																																																																																																																																																								
30	PLC	#																																																																																																																																																								
31	PLC	#																																																																																																																																																								
32	PLC	#																																																																																																																																																								
33	PLC	#																																																																																																																																																								
34	PLC	#																																																																																																																																																								
35	PLC	#																																																																																																																																																								
36	PLC	#																																																																																																																																																								
37	PLC	#																																																																																																																																																								
38	PLC	#																																																																																																																																																								
39	PLC	#																																																																																																																																																								
40	PLC	#																																																																																																																																																								
41	PLC	#																																																																																																																																																								
42	PLC	#																																																																																																																																																								
43	PLC	#																																																																																																																																																								
44	PLC	#																																																																																																																																																								
45	PLC	#																																																																																																																																																								
46	PLC	#																																																																																																																																																								
47	PLC	#																																																																																																																																																								
48	PLC	#																																																																																																																																																								
49	PLC	#																																																																																																																																																								
50	PLC	#																																																																																																																																																								
MATERIAL: SEE TABLE		PRODUCT SPEC: 108-101528																																																																																																																																																								
FINISH: SEE TABLE		APPLICATION SPEC:																																																																																																																																																								
WEIGHT: -		SIZE: A																																																																																																																																																								
CUSTOMER DRAWING		SCALE: 4:1 SHEET 1 OF 1 REV B2																																																																																																																																																								