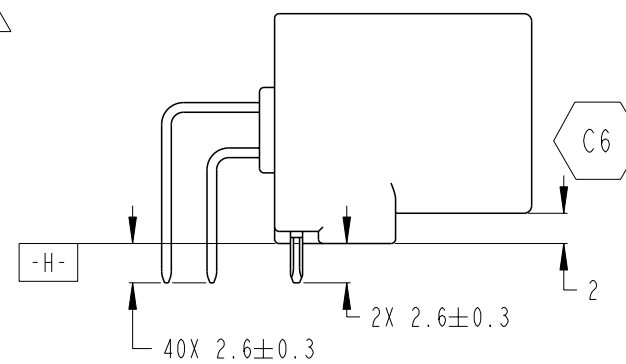
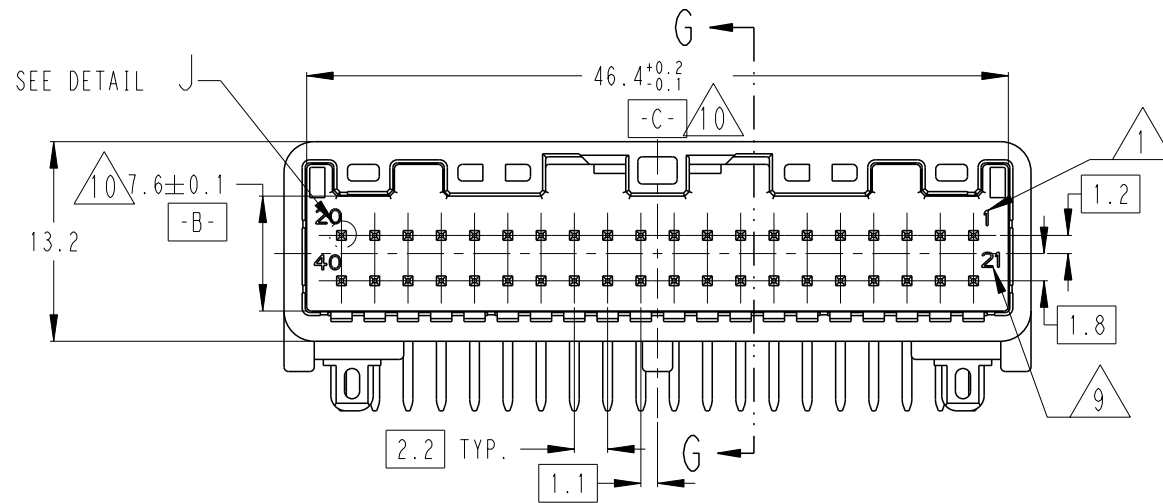
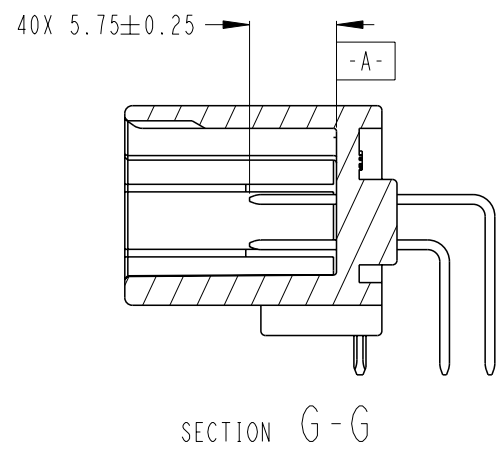
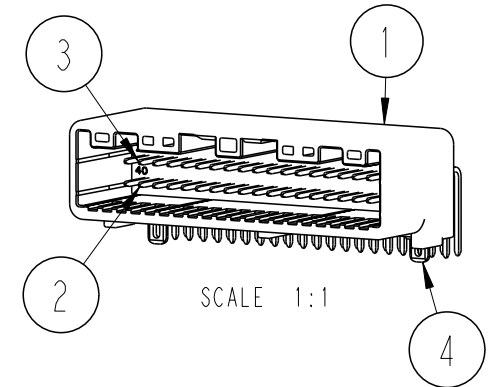
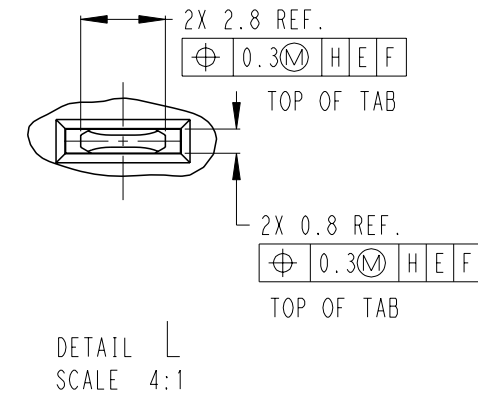
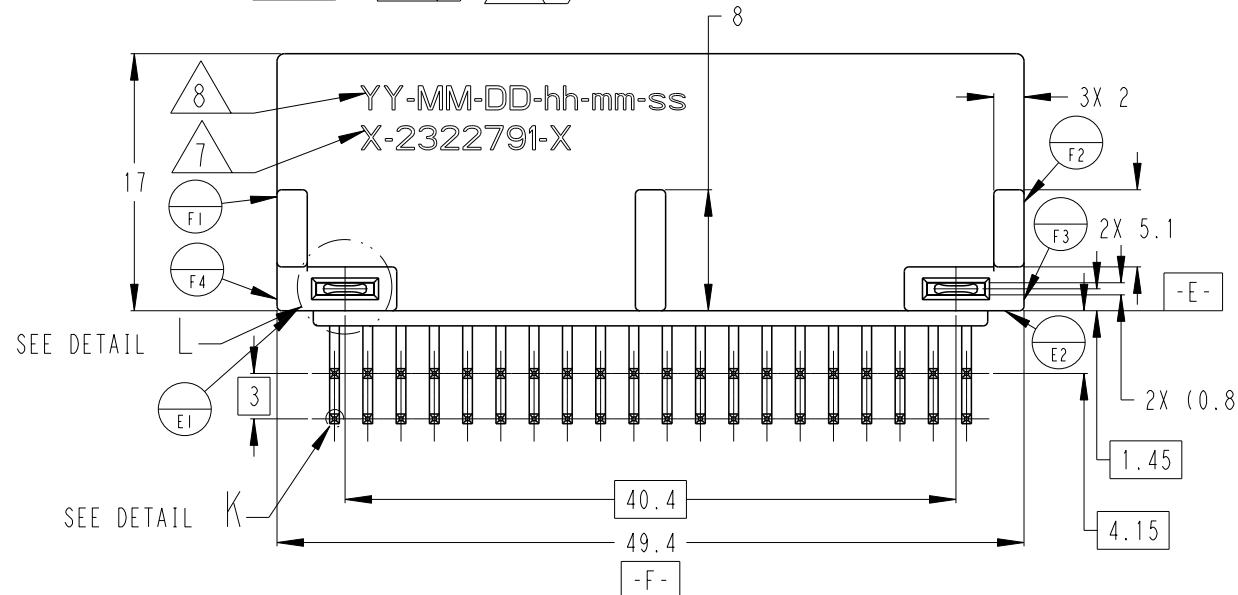
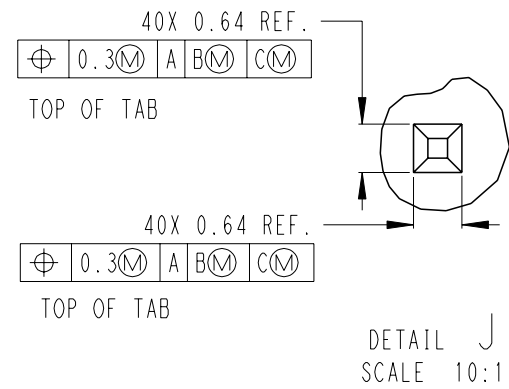
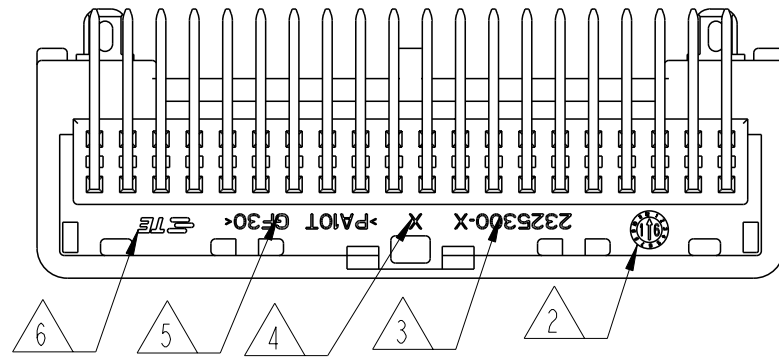
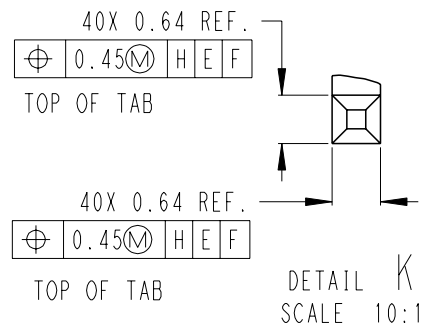


THIS DRAWING IS UNPUBLISHED. RELEASED FOR PUBLICATION 20  
 © COPYRIGHT 20 BY - ALL RIGHTS RESERVED.

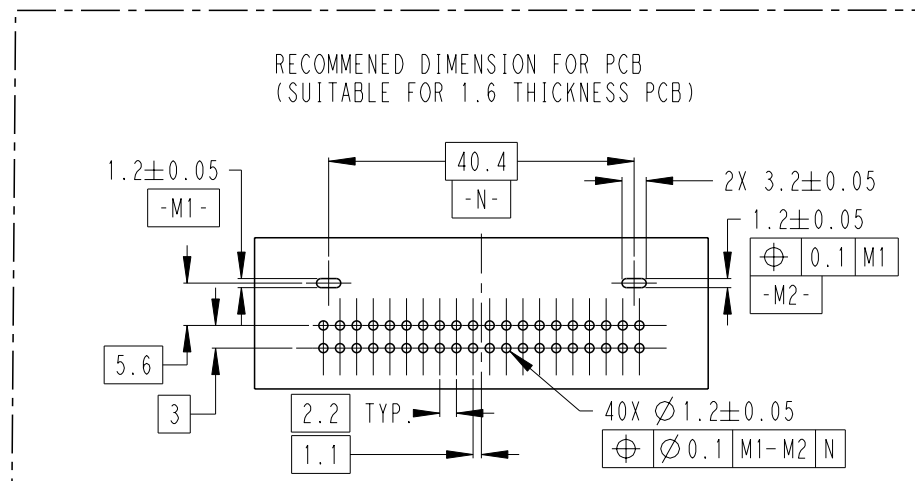
REVISIONS

P	LTR	DESCRIPTION	DATE	DWN	APVD
C3		REVISED (ECN-21-125704)	02NOV21	T.T	J.Z
C4		ECN-23-208481	17APR23	C.J	J.Z
C5		ECN-23-217819	15JUN23	C.J	J.Z
C6		ECN-23-245057	22DEC23	C.J	J.Z



- 1. MATERIAL: SEE TABLE
- 2 MOLD DATE CODE
- 3 HOUSING PART NO.
- 4 MOLD CAVITY NO.
- 5 PLASTIC MATERIAL
- 6 TE LOGO
- 7 ASS'Y PART NO.
- 8 ASS'Y MANUFACTURE DATE
- 9 PIN NO.
- 10 MEASURED ON SUPPORT AREA ABOVE BOTTOM 2.0mm

11. FEMALE CONNECTOR PART NO.: 1318389-  
 2325415-  
 FEMALE TERMINAL PART NO.: 1123343-1



THIS DRAWING IS A CONTROLLED DOCUMENT.

DIMENSIONS: mm	TOLERANCES UNLESS OTHERWISE SPECIFIED: ±0.3
	0 PLC ± 1 PLC ± 2 PLC ± 3 PLC ± 4 PLC ± ANGLES ±
MATERIAL SEE TABLE	FINISH -

DWN	J. YIN	19SEP2017
CHK	W. WU	30OCT2017
APVD	I. YIN	31OCT2017
PRODUCT SPEC	-	
APPLICATION SPEC	-	
WEIGHT	-	
CUSTOMER DRAWING		

TE Connectivity		NAME	
		025 SERIES 40 POS 90 DEG PIP HEADER CONNECTOR	
SIZE	CAGE CODE	DRAWING NO	RESTRICTED TO
A3	00779	C-2322791	
SCALE		SHEET	REV
2:1		1 OF 2	C6

Printed on 22 Dec 2023 13:58 (China Standard Time) from TE510287

THIS DRAWING IS UNPUBLISHED.

RELEASED FOR PUBLICATION

20

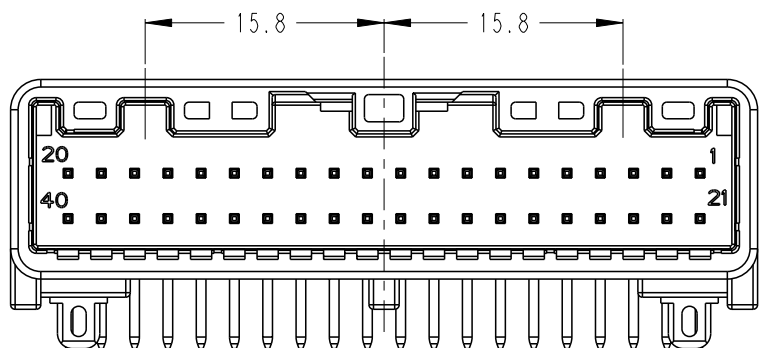
© COPYRIGHT 20 BY -

ALL RIGHTS RESERVED.

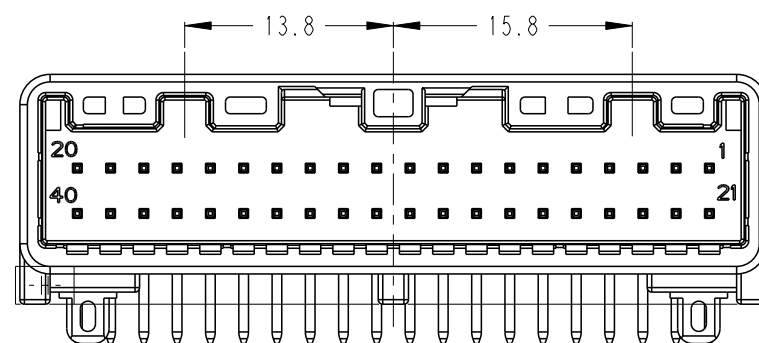
REVISIONS

P	LTR	DESCRIPTION	DATE	DWN	APVD
		SEE SHEET 1			

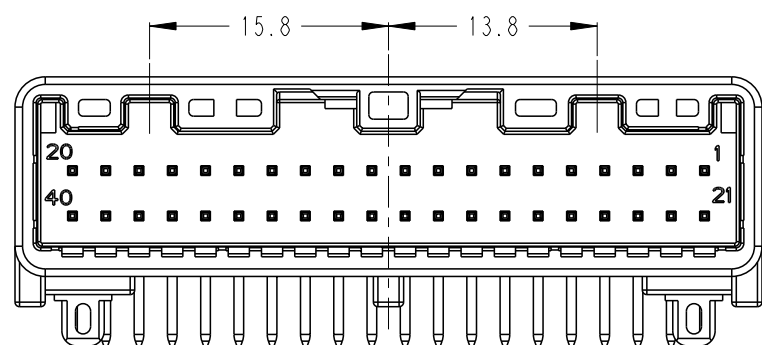
CODING A  
TOLERANCE ±0.05



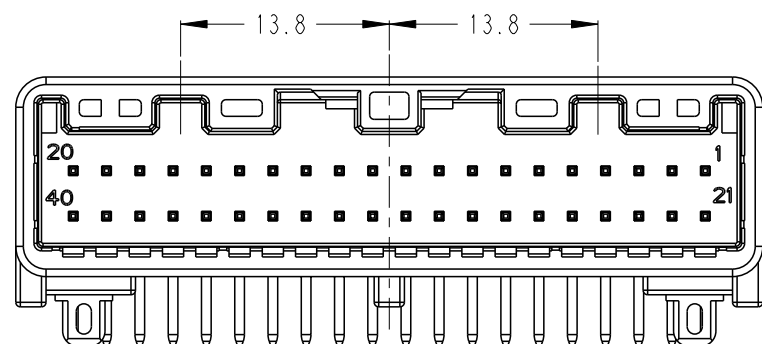
CODING B  
TOLERANCE ±0.05



CODING C  
TOLERANCE ±0.05



CODING D  
TOLERANCE ±0.05



DIM	DIM									
380x280x185mm	375x275x31mm	-	4-2322791-1	D	2.8 SOLDER PIN	2	TIN	BRASS	4	
					0.64 SIGNAL PIN	20	TIN	BRASS	3	
					0.64 SIGNAL PIN	20	TIN	BRASS	2	
					40P HOUSING	1	BROWN	PA10T GF30,V0	1	
380x280x185mm	375x275x31mm	-	3-2322791-1	C	2.8 SOLDER PIN	2	TIN	BRASS	4	
					0.64 SIGNAL PIN	20	TIN	BRASS	3	
					0.64 SIGNAL PIN	20	TIN	BRASS	2	
					40P HOUSING	1	GREEN	PA10T GF30,V0	1	
380*380*265mm	-	DIM 380*380*72mm	2-2322791-3	B	2.8 SOLDER PIN	2	TIN	BRASS	4	
					0.64 SIGNAL PIN	20	TIN	BRASS	3	
					0.64 SIGNAL PIN	20	TIN	BRASS	2	
					40P HOUSING	1	YELLOW	PA10T GF30,V0	1	
417x346x220mm	340x210x29mm	-	2-2322791-2	B	2.8 SOLDER PIN	2	TIN	BRASS	4	
					0.64 SIGNAL PIN	20	TIN	BRASS	3	
					0.64 SIGNAL PIN	20	TIN	BRASS	2	
					40P HOUSING	1	YELLOW	PA10T GF30,V0	1	
380x280x185mm	375x275x31mm	-	2-2322791-1	B	2.8 SOLDER PIN	2	TIN	BRASS	4	
					0.64 SIGNAL PIN	20	TIN	BRASS	3	
					0.64 SIGNAL PIN	20	TIN	BRASS	2	
					40P HOUSING	1	NATURAL	PA10T GF30	1	
380*380*265mm	-	DIM 380*380*72mm	2322791-3	A	2.8 SOLDER PIN	2	TIN	BRASS	4	
					0.64 SIGNAL PIN	20	TIN	BRASS	3	
					0.64 SIGNAL PIN	20	TIN	BRASS	2	
					40P HOUSING	1	NATURAL	PA10T GF30	1	
417x346x220mm	340x210x29mm	-	2322791-2	A	2.8 SOLDER PIN	2	TIN	BRASS	4	
					0.64 SIGNAL PIN	20	TIN	BRASS	3	
					0.64 SIGNAL PIN	20	TIN	BRASS	2	
					40P HOUSING	1	NATURAL	PA10T GF30	1	
380x280x185mm	375x275x31mm	-	2322791-1	A	2.8 SOLDER PIN	2	TIN	BRASS	4	
					0.64 SIGNAL PIN	20	TIN	BRASS	3	
					0.64 SIGNAL PIN	20	TIN	BRASS	2	
					40P HOUSING	1	NATURAL	PA10T GF30	1	
CARTON	TRAY	REEL	ASSY PART NO.	CODING	DESCRIPTION	QTY	FINISH/COLOR	MATERIAL	ITEM	

THIS DRAWING IS A CONTROLLED DOCUMENT.

DWN J. YIN 19SEP2017  
 CHK W. WU 30OCT2017  
 APVD I. YIN 31OCT2017

NAME  
 025 SERIES 40 POS 90 DEG  
 PIP HEADER CONNECTOR



DIMENSIONS: mm	TOLERANCES UNLESS OTHERWISE SPECIFIED: ±0.3
0 PLC ±-	1 PLC ±-
2 PLC ±-	3 PLC ±-
4 PLC ±-	ANGLES ±-
MATERIAL SEE TABLE	FINISH -

PRODUCT SPEC	-
APPLICATION SPEC	-
WEIGHT	-
CUSTOMER DRAWING	-

SIZE A3	CAGE CODE 00779	DRAWING NO C-2322791	RESTRICTED TO
SCALE 2:1	SHEET 2 OF 2	REV C6	

Printed on 22 Dec 2023 13:58 (China Standard Time) from TE510287