

THIS DRAWING IS UNPUBLISHED.

RELEASED FOR PUBLICATION

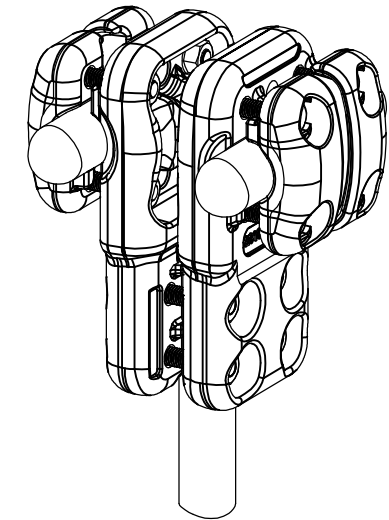
- . - .

REVISIONS

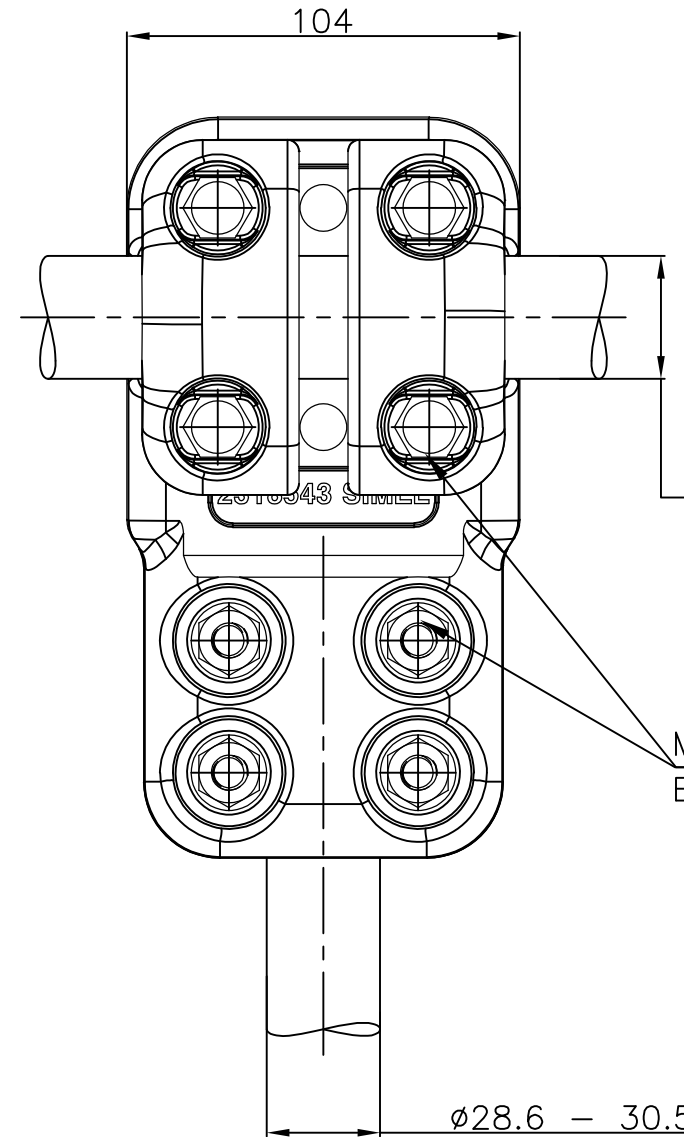
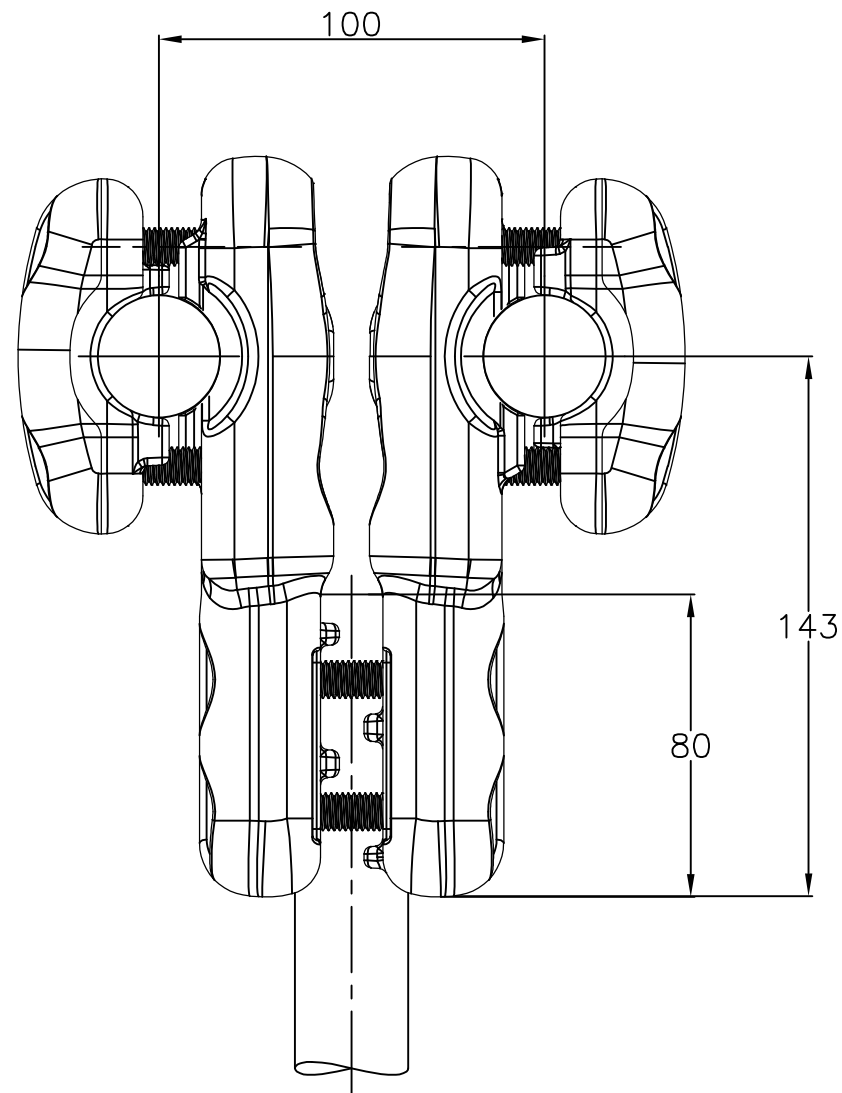
© COPYRIGHT - By -

ALL RIGHTS RESERVED.

P	LTR	DESCRIPTION	DATE	DWN	APVD
	A	CREATION	07-SEP-17	GL	-



No scale  
Sans échelle



M10 Bolts stainless steel A2: 37Nm  
 Boulons M10 acier inoxydable A2: 37Nm

ITEM:.....

THIS DRAWING IS A CONTROLLED DOCUMENT.		DWN	07-SEP-17		<b>STE</b> TE Connectivity
		CHK	LAFORGE		
DIMENSIONS: mm		TOLERANCES UNLESS OTHERWISE SPECIFIED:		APVD	NAME
		0 PLC ± -		-	
		1 PLC ± -		-	
MATERIAL		2 PLC ± -		PRODUCT SPEC	
		3 PLC ± -		108-69096-001	
FINISH		4 PLC ± -		APPLICATION SPEC	
		ANGLES ± -		-	
-		-		APPROX.WEIGHT	3.37 kg
		CUSTOMER DRAWING		SIZE	A3
				CAGE CODE	00779
				DRAWING NO	C=2323355
				RESTRICTED TO	-
				SCALE	1:2
				SHEET	1 OF 1
				REV	A