

THIS DRAWING IS UNPUBLISHED.

RELEASED FOR PUBLICATION

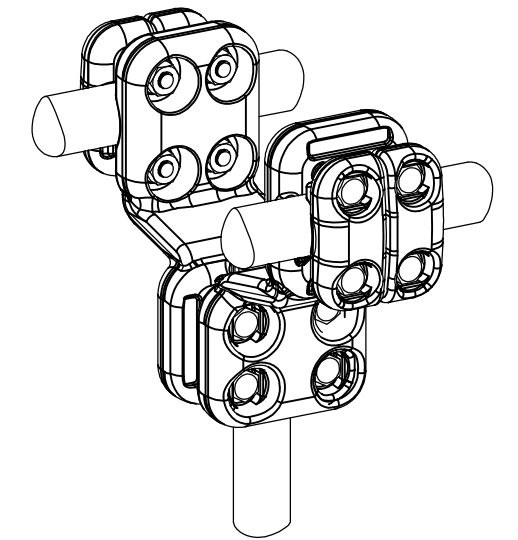
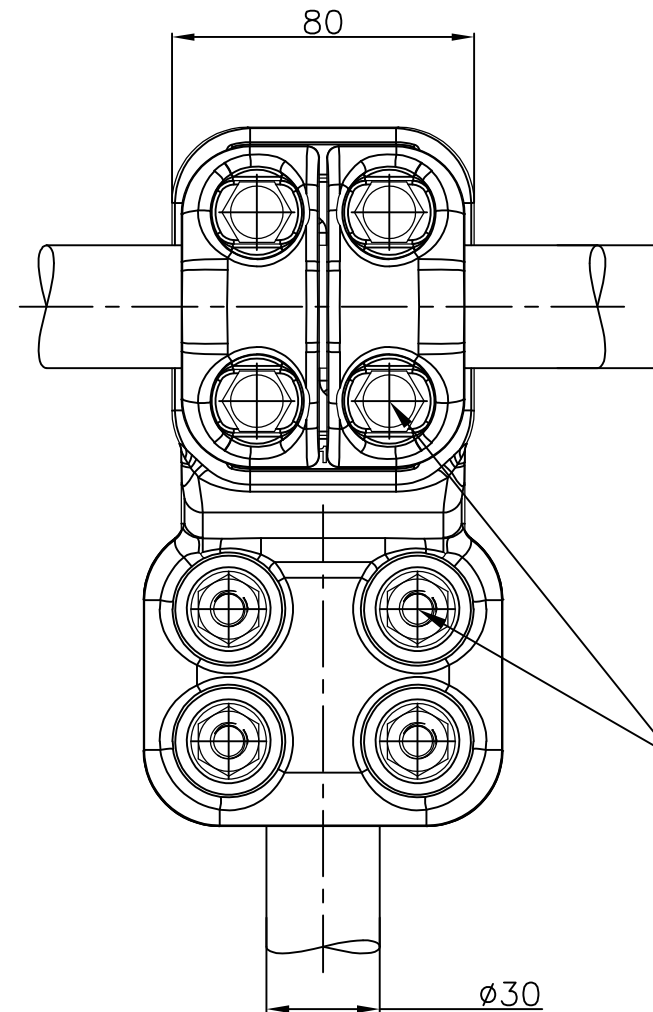
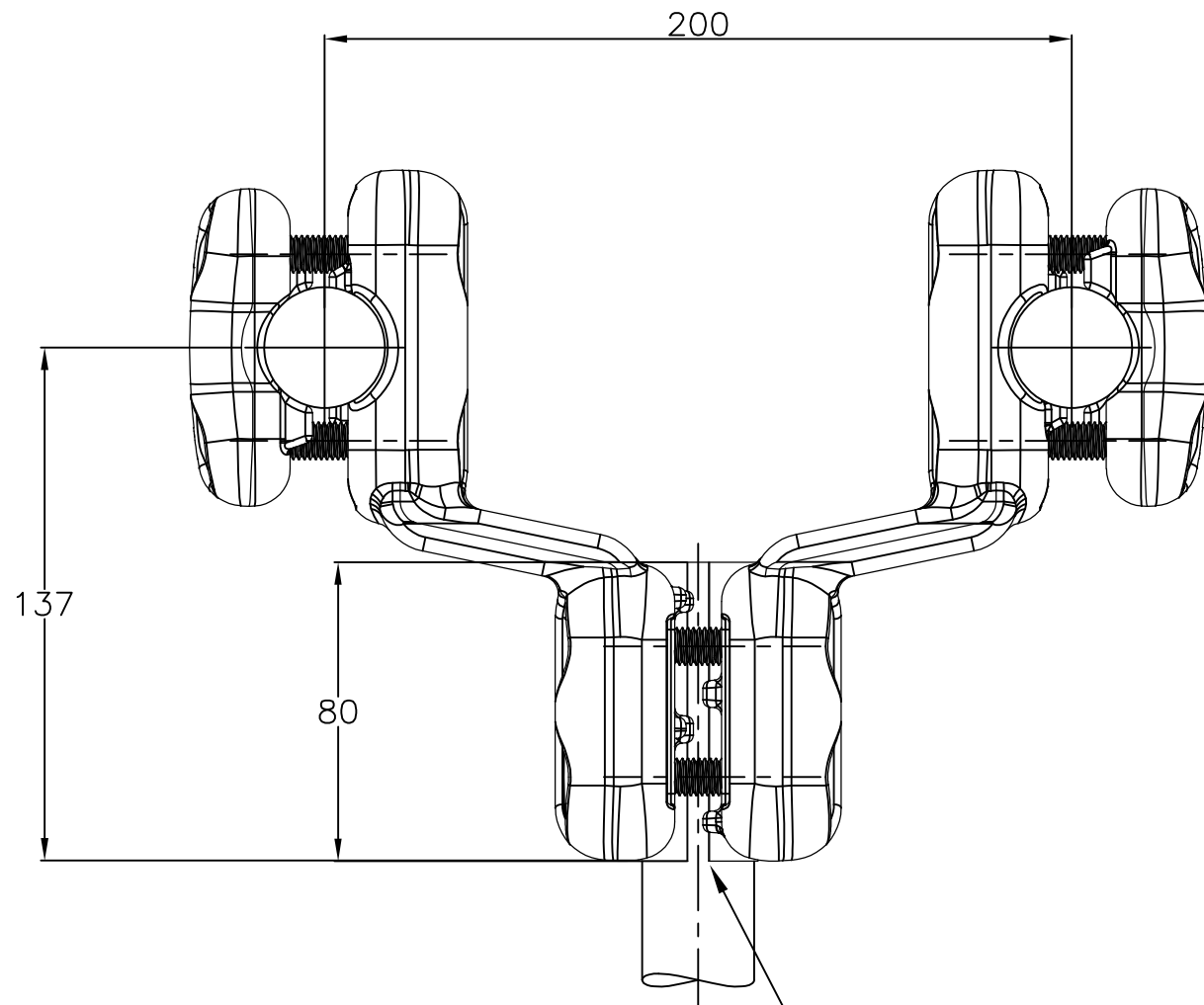
-. - .

© COPYRIGHT - By -

ALL RIGHTS RESERVED.

REVISIONS

P	LTR	DESCRIPTION	DATE	DWN	APVD
	A	CREATION	07-SEP-17	GL	-



No scale
Sans échelle

M10 Bolts stainless steel A2: 37Nm
Boulons M10 acier inoxydable A2: 37Nm

Bimetallic sleeve alu/Copper 32x30
Fourrure bi-métallique alu/cuivre Ø32x30

ITEM:.....

THIS DRAWING IS A CONTROLLED DOCUMENT.		DWN LAFORGE	07-SEP-17	STE TE Connectivity	
DIMENSIONS: mm		CHK	-		
TOLERANCES UNLESS OTHERWISE SPECIFIED:		APVD	-	NAME TEE CONNECTOR TWIN TO STUD CONNECTEUR EN TE FAISCEAU DOUBLE SUR BORNE	
0 PLC ± -		PRODUCT SPEC	-	5 CT 82 F S325 E200 SK305	
1 PLC ± -		APPLICATION SPEC	108-69096-001	SIZE	A3
2 PLC ± -				CAGE CODE	00779
3 PLC ± -				DRAWING NO	C=2323356
4 PLC ± -				RESTRICTED TO	-
ANGLES ± -				APPROX.WEIGHT	2.82 kg
FINISH				CUSTOMER DRAWING	SCALE 1:2
MATERIAL				SHEET	1 OF 1
				REV	A