

THIS DRAWING IS UNPUBLISHED.

RELEASED FOR PUBLICATION

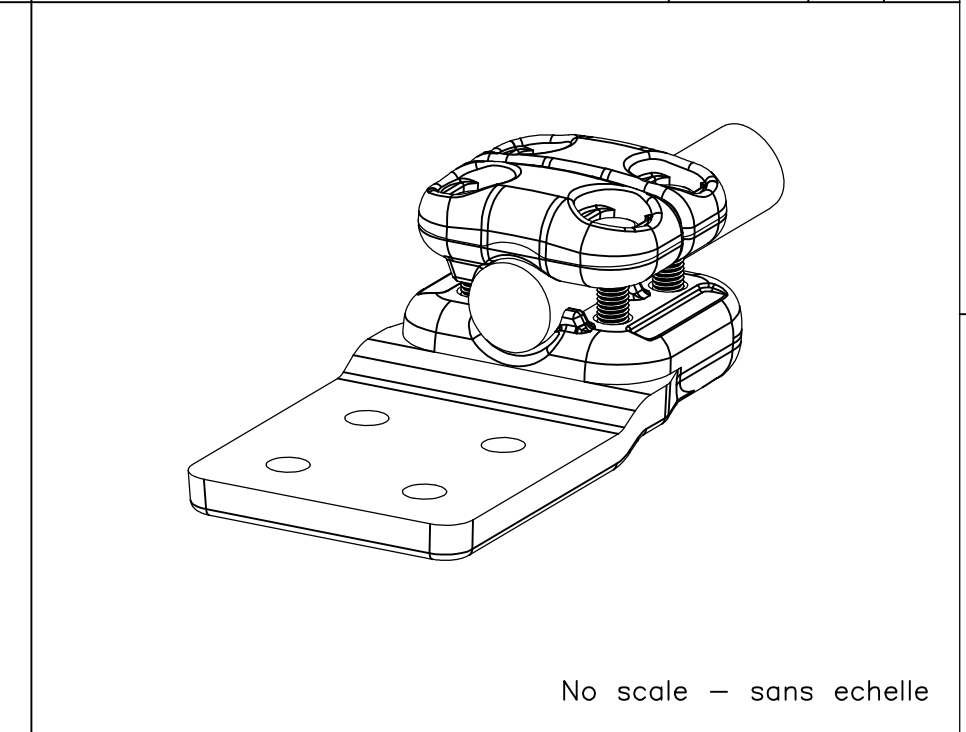
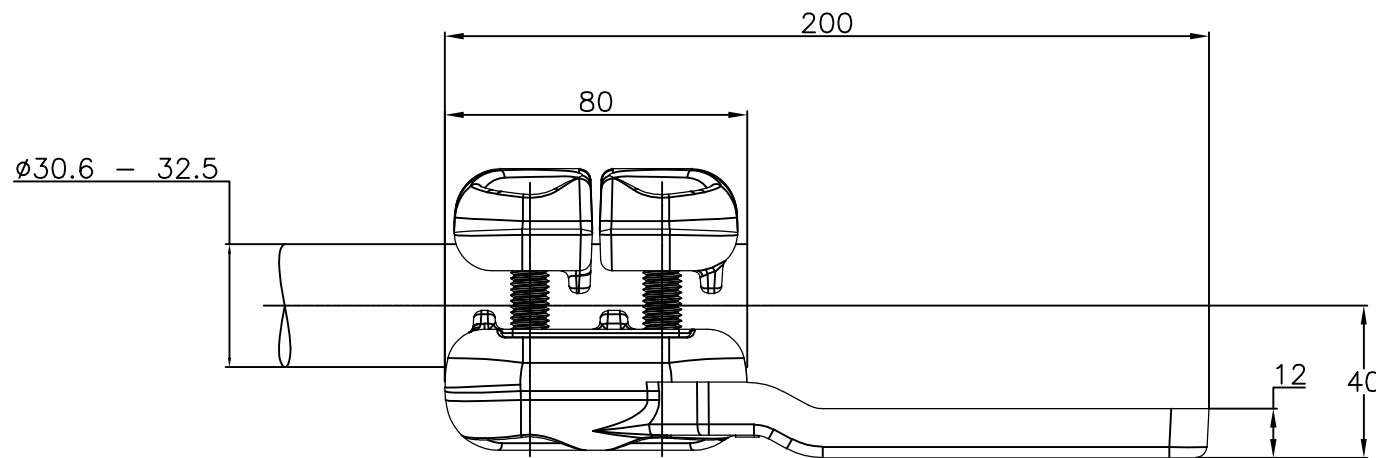
-. - .

© COPYRIGHT - By -

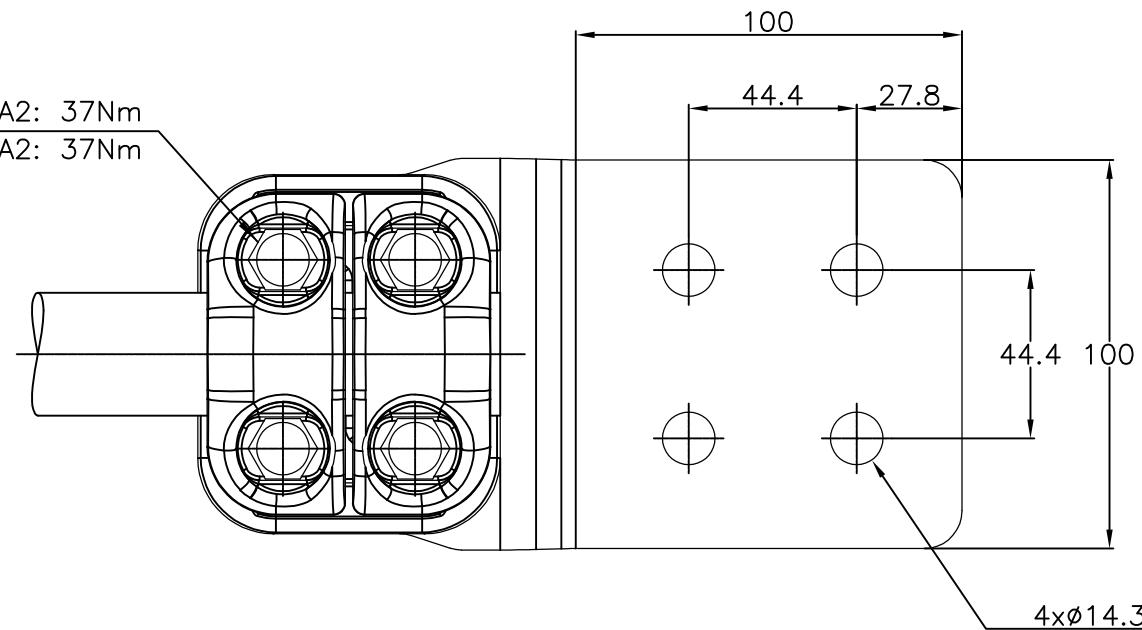
ALL RIGHTS RESERVED.

REVISIONS

P	LTR	DESCRIPTION	DATE	DWN	APVD
	A	CREATION	06-SEP-17	GL	-



M10 Bolts stainless steel A2: 37Nm
 Boulons M10 acier inoxydable A2: 37Nm



ITEM:.....

THIS DRAWING IS A CONTROLLED DOCUMENT.

DWN LAFORGE 06-SEP-17

CHK -

APVD -

PRODUCT SPEC

108-69096-001

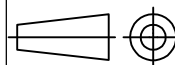
APPLICATION SPEC

-

APPROX.WEIGHT 1.5 kg

CUSTOMER DRAWING

DIMENSIONS:
mm



TOLERANCES UNLESS OTHERWISE SPECIFIED:	
0 PLC	± -
1 PLC	± -
2 PLC	± -
3 PLC	± -
4 PLC	± -
ANGLES	± -
FINISH	-

MATERIAL -



NAME STRAIGHT CONNECTOR TO FLAT PALM
 RACCORD DROIT SUR PLAGE
 5 PD 82 S325 100 C290

SIZE	CAGE CODE	DRAWING NO	RESTRICTED TO
A3	-	©=2323464	-

SCALE	SHEET	REV
1/2	1 OF 1	A