

4

3

2

1

THIS DRAWING IS UNPUBLISHED.

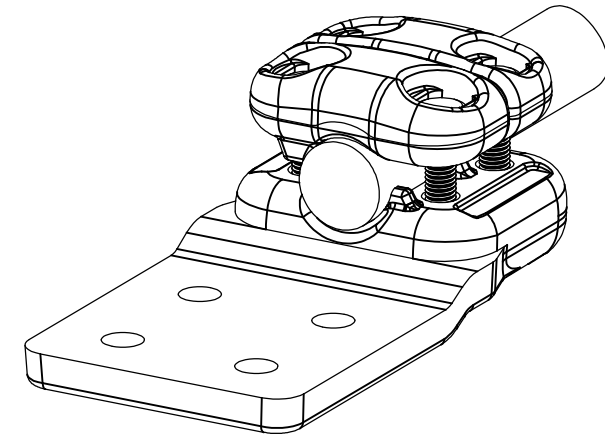
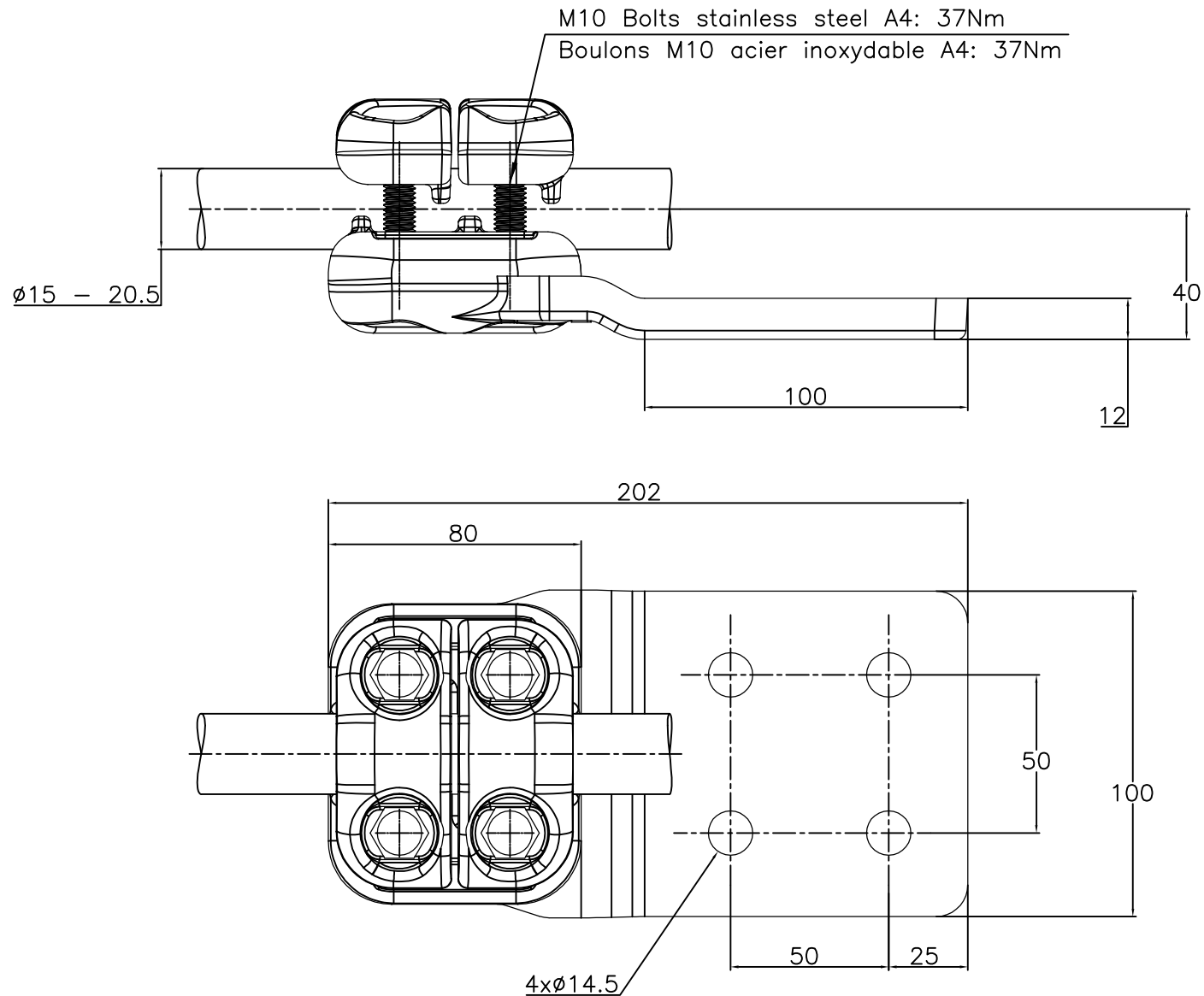
RELEASED FOR PUBLICATION

© COPYRIGHT - By -

ALL RIGHTS RESERVED.

REVISIONS

P	LTR	DESCRIPTION	DATE	DWN	APVD
	A	CREATION	11-SEP-17	GL	-



THIS DRAWING IS A CONTROLLED DOCUMENT.		DWN	LAFORGE	11-Sep-17	STE TE Connectivity	
		CHK	-	-		
DIMENSIONS: mm		TOLERANCES UNLESS OTHERWISE SPECIFIED:		NAME		
		0 PLC ± -		CONNECTOR FOR CABLE TO PAD		
		1 PLC ± -		RACCORD A PLAGE POUR CABLE		
MATERIAL		FINISH		5 PD 84 S205 100 C257		
-		-		PRODUCT SPEC	SIZE	CAGE CODE
				108-69096-001	A3	00779
				APPLICATION SPEC	DRAWING NO	
				-	C=2323811	
				APPROX.WEIGHT	RESTRICTED TO	
				1.1 kg	-	
				CUSTOMER DRAWING		
				SCALE	SHEET	REV
				1:2	1 OF 1	A

ITEM:.....