

THIS DRAWING IS UNPUBLISHED.

RELEASED FOR PUBLICATION

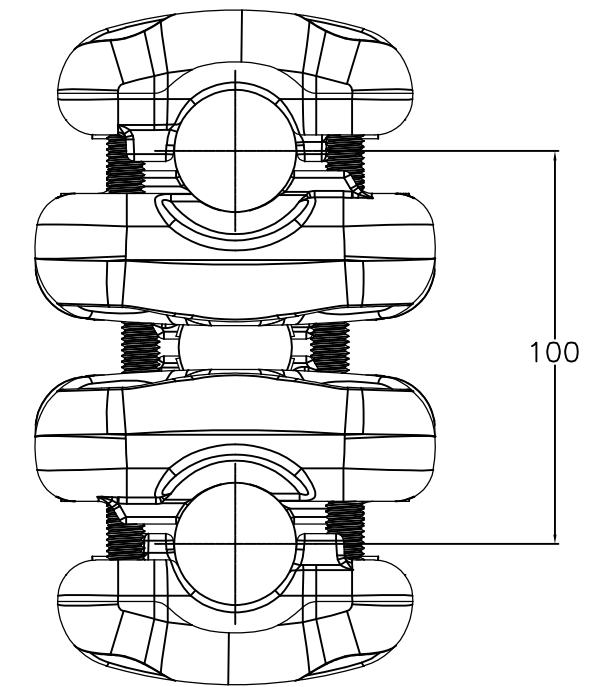
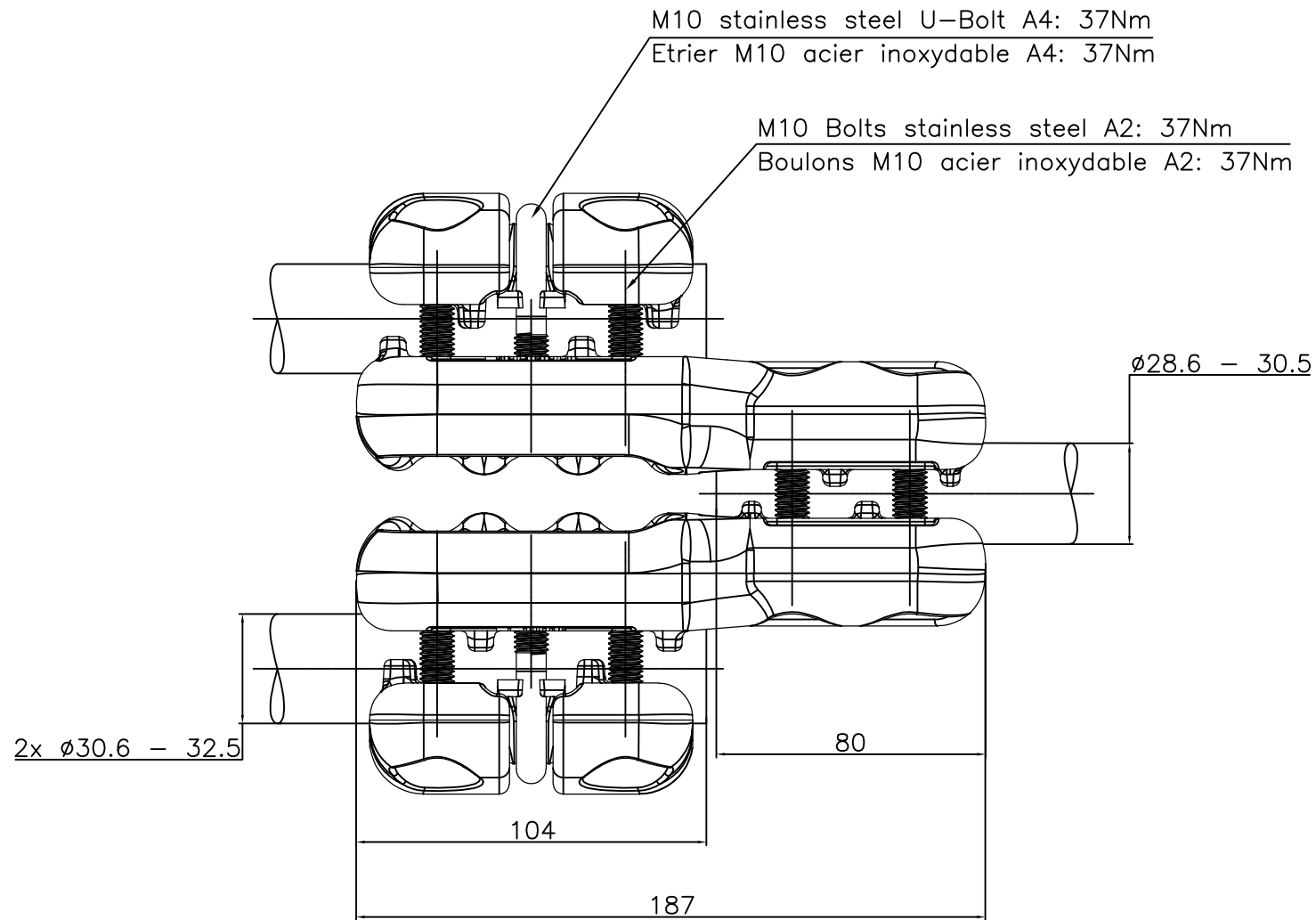
-. - .

© COPYRIGHT - By -

ALL RIGHTS RESERVED.

REVISIONS

P	LTR	DESCRIPTION	DATE	DWN	APVD
	A	CREATION	04-SEP-17	GL	-



ITEM:.....

THIS DRAWING IS A CONTROLLED DOCUMENT.		DWN LAFORGE	09-SEP-17	<b>STE</b> TE Connectivity	
DIMENSIONS: mm		CHK	-		
TOLERANCES UNLESS OTHERWISE SPECIFIED:		APVD	-	NAME STRAIGHT CONNECTOR RACCORD DROIT	
0 PLC ± -		PRODUCT SPEC	-	5 CJ 82 F MR325 E100 S305	
1 PLC ± -		APPLICATION SPEC	108-69096-001	SIZE	A3
2 PLC ± -				CAGE CODE	00779
3 PLC ± -				DRAWING NO	C=2324647
4 PLC ± -				RESTRICTED TO	-
ANGLES ± -				APPROX.WEIGHT	2.9 kg
FINISH				CUSTOMER DRAWING	SCALE 1:2
MATERIAL				SHEET	1 OF 1
				REV	A