

THIS DRAWING IS UNPUBLISHED.

RELEASED FOR PUBLICATION

REVISIONS

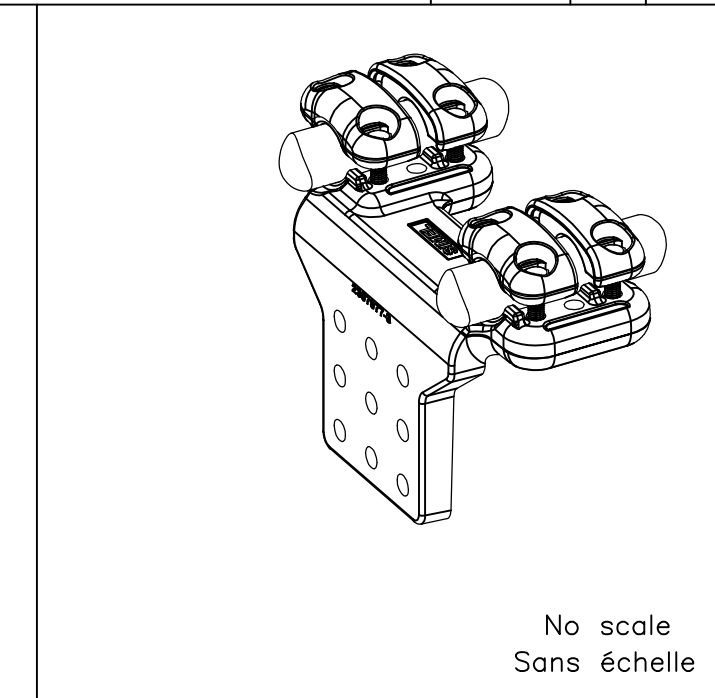
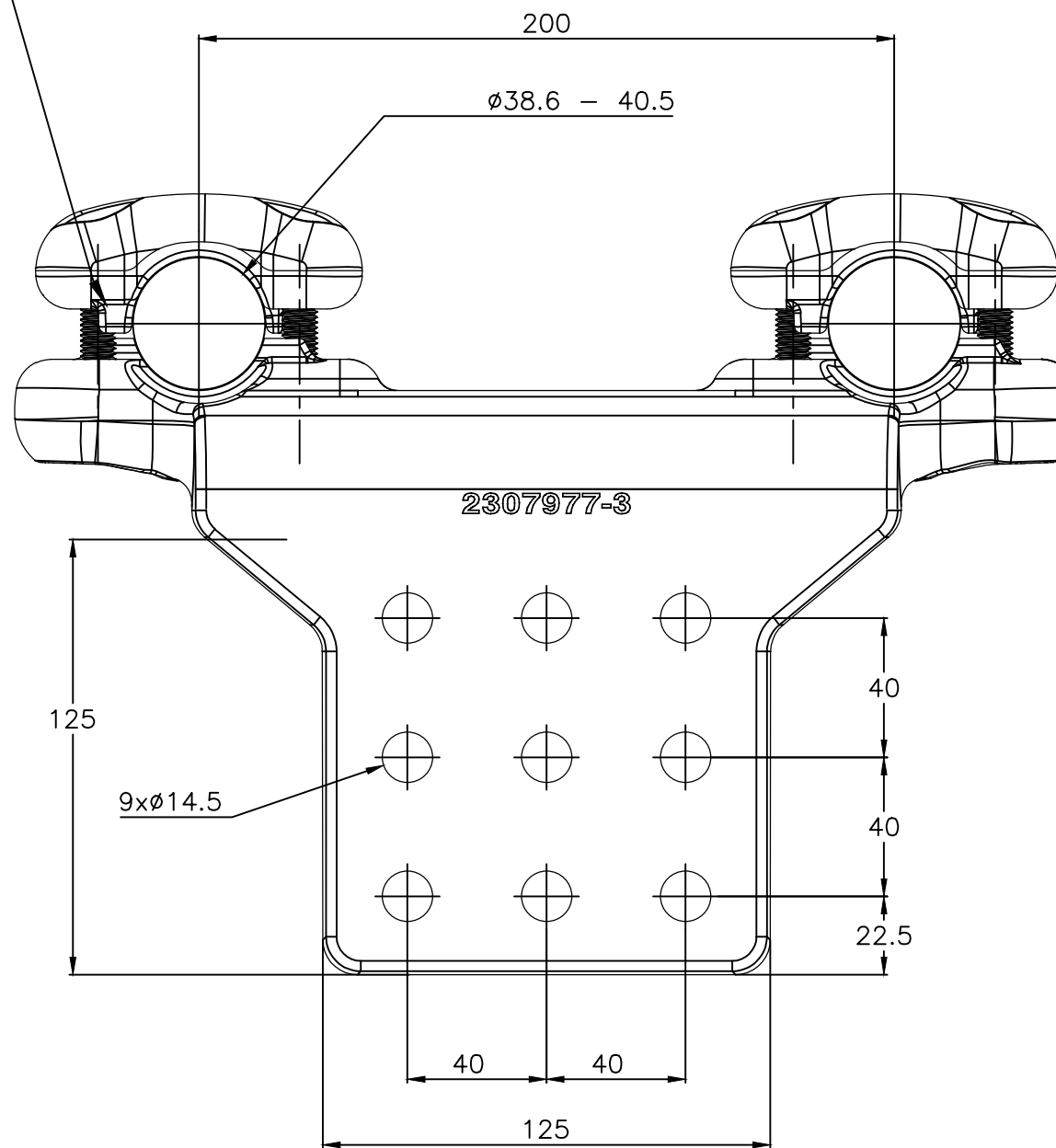
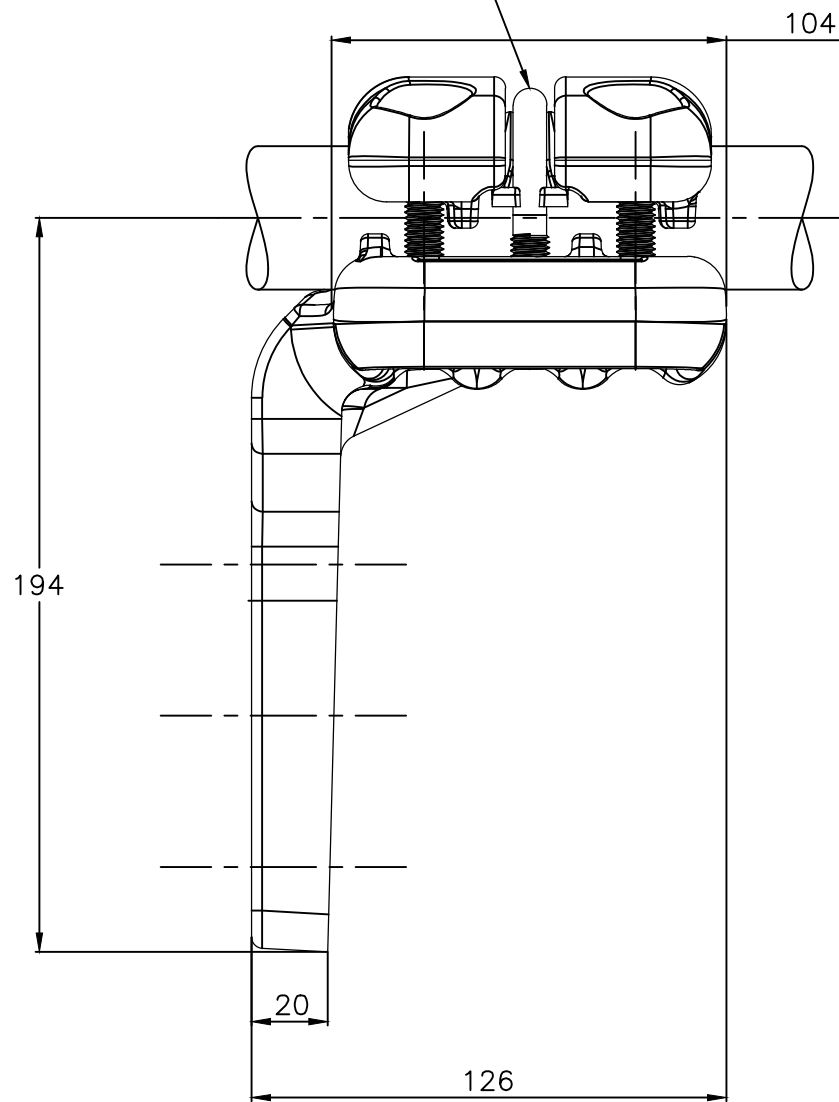
© COPYRIGHT - By -

ALL RIGHTS RESERVED.


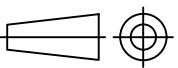
P	LTR	DESCRIPTION	DATE	DWN	APVD
	A	CREATION	19-OCT-17	GL	-

M10 Bolts stainless steel A4: 37Nm
 Boulons M10 acier inoxydable A4: 37Nm

M10 stainless steel U-Bolt A4: 37Nm
 Etrier M10 acier inoxydable A4: 37Nm



ITEM:.....

THIS DRAWING IS A CONTROLLED DOCUMENT.		DWN	19-OCT-17		 TE Connectivity	
		CHK	-			
		APVD	-			
		PRODUCT SPEC	-			
DIMENSIONS: mm		TOLERANCES UNLESS OTHERWISE SPECIFIED:		NAME		
		0 PLC ± -		108-69096-001		
		1 PLC ± -		5 PE 84 F MR405 E200 125 C258		
		2 PLC ± -		APPLICATION SPEC		SIZE
		3 PLC ± -		-		CAGE CODE
		4 PLC ± -		-		DRAWING NO
ANGLES ± -		FINISH		RESTRICTED TO		
MATERIAL		-		APPROX.WEIGHT		
		-		3.9 kg		
		CUSTOMER DRAWING		A3 00779 ©=2326934		
		SCALE		1:2		
		SHEET		1 OF 1		
		REV		A		