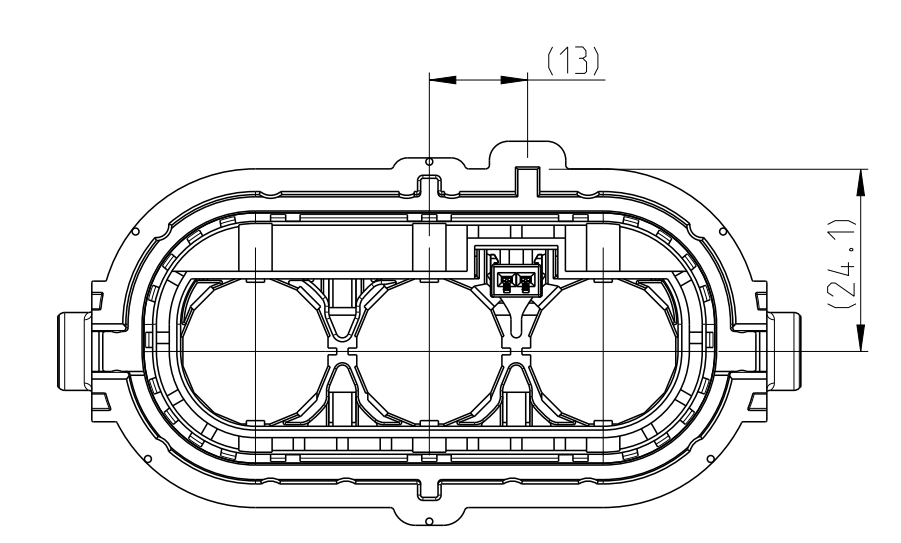
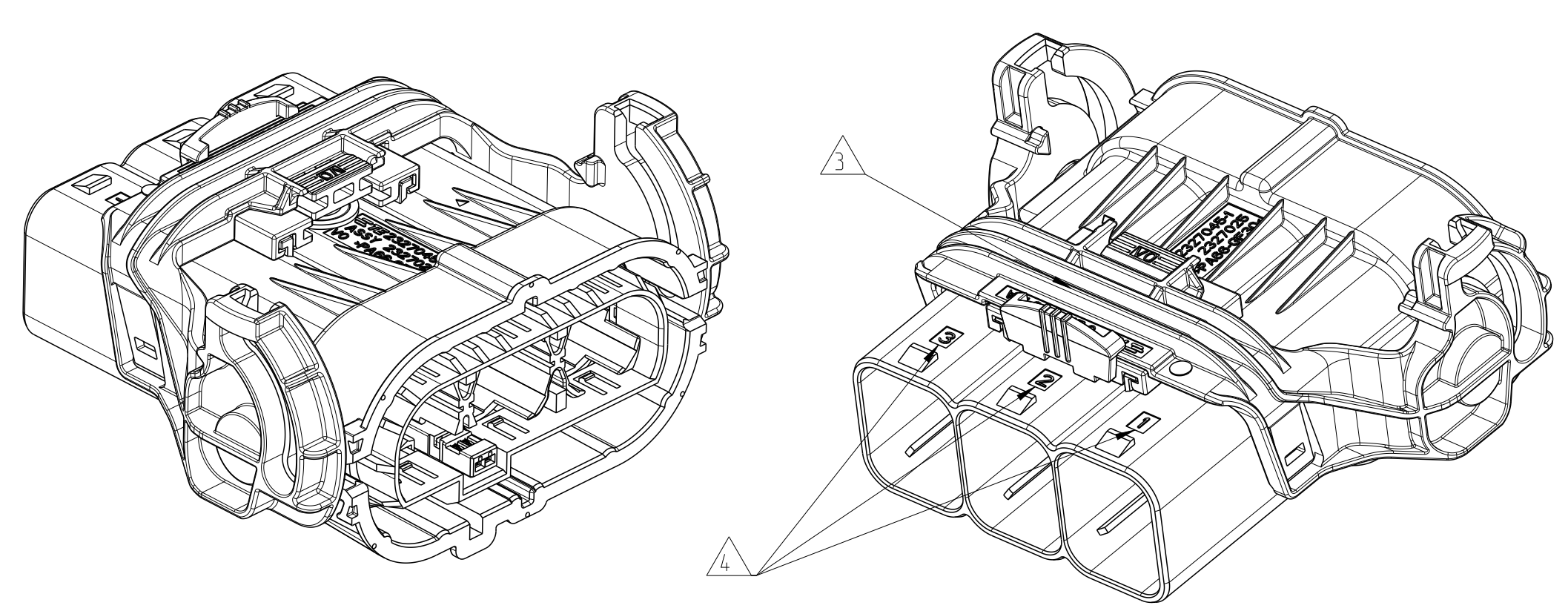
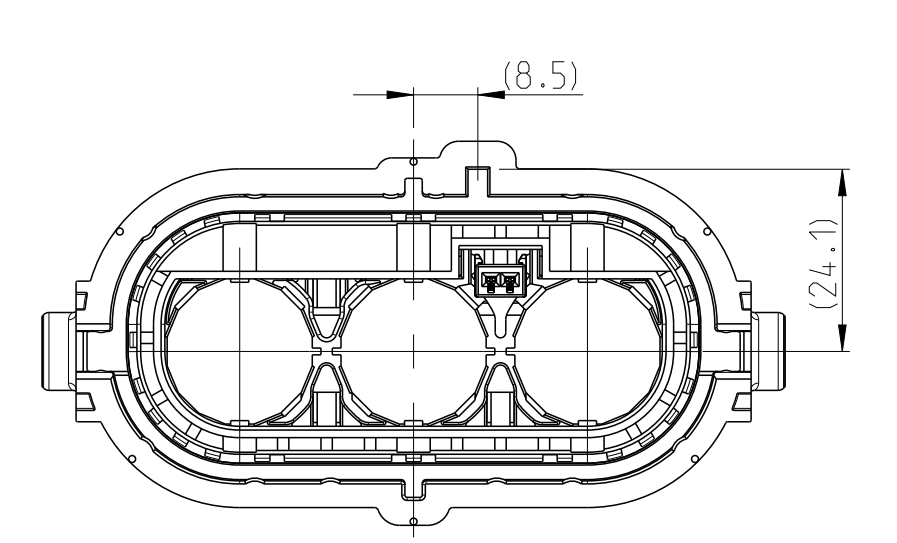


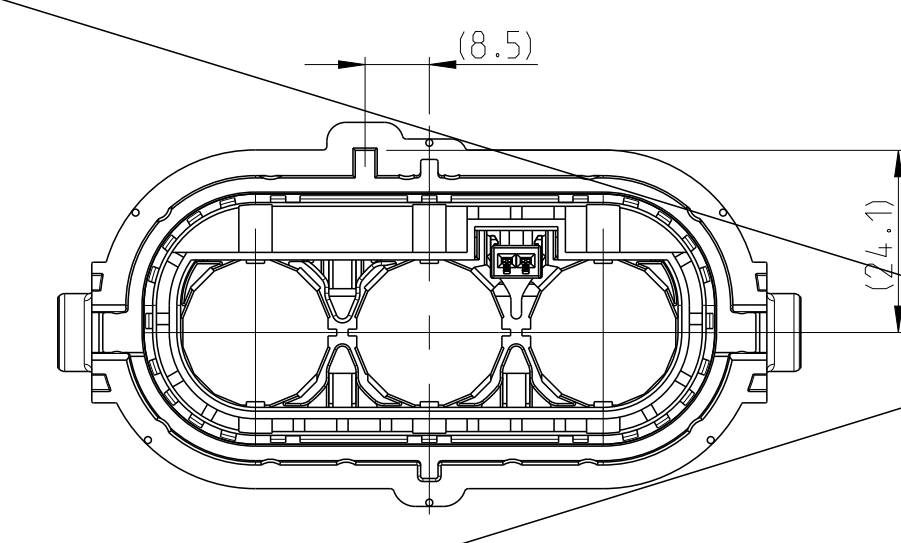
1-2327025-1/3 AS SHOWN



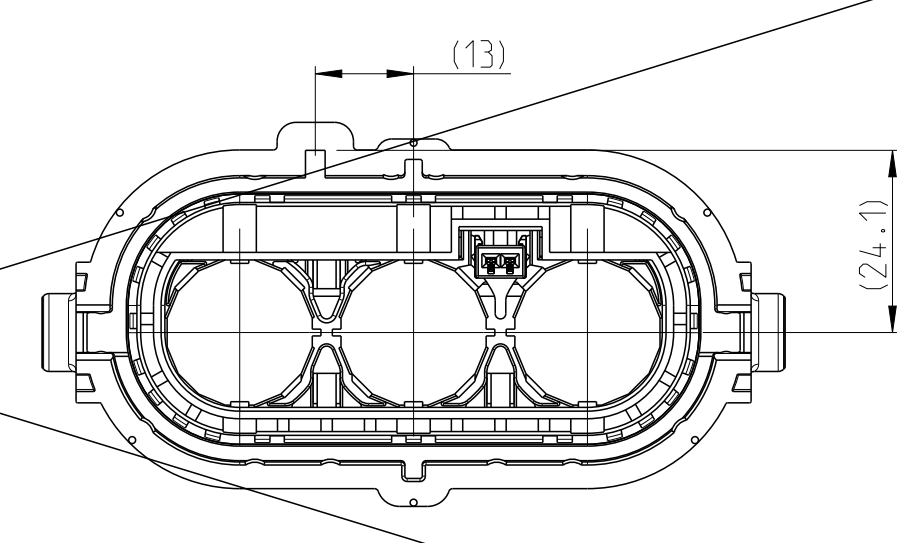
Code - A



Code - B



Code - C



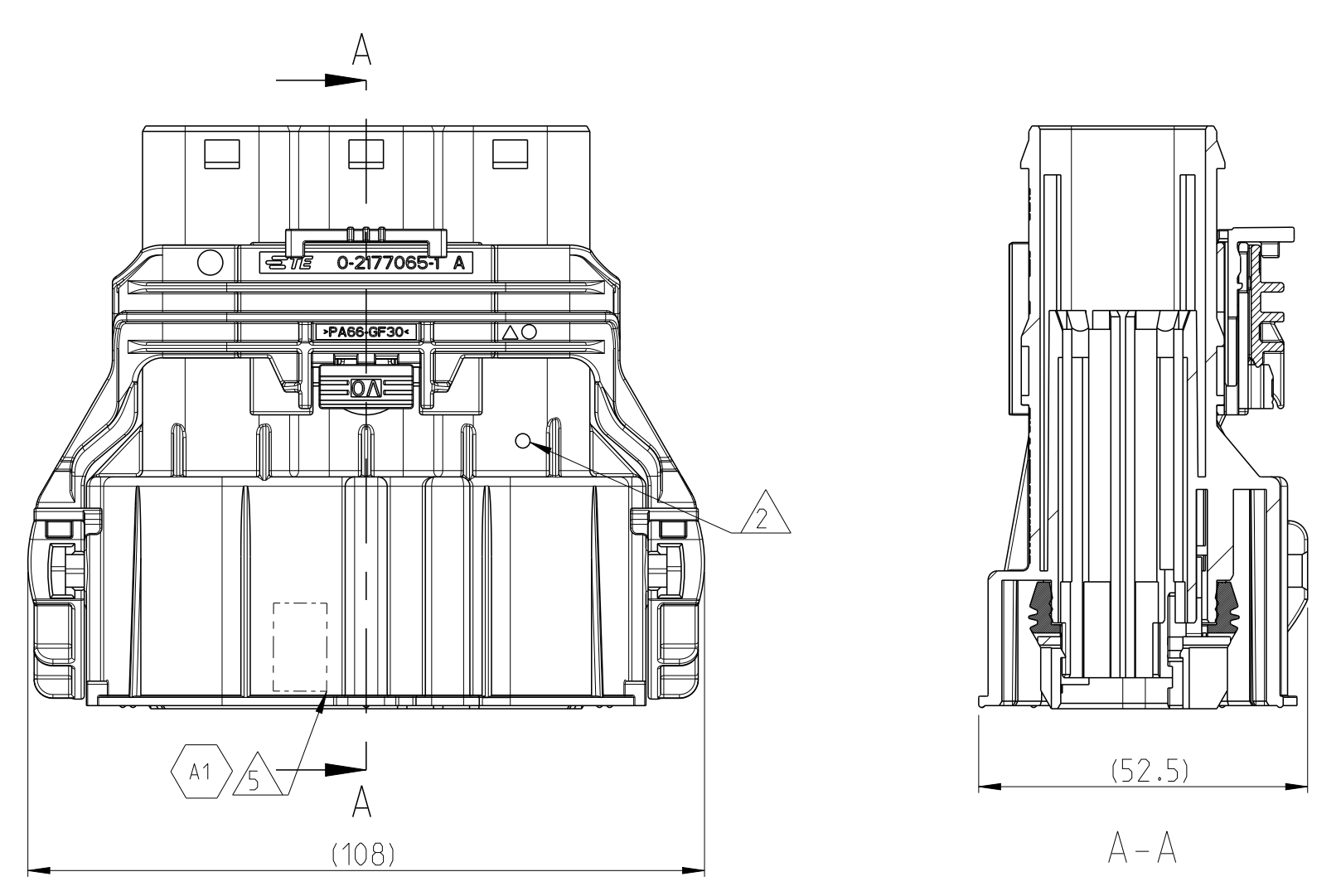
Code - D

VIEWS WITHOUT LEVER CODINGS  
 1:1

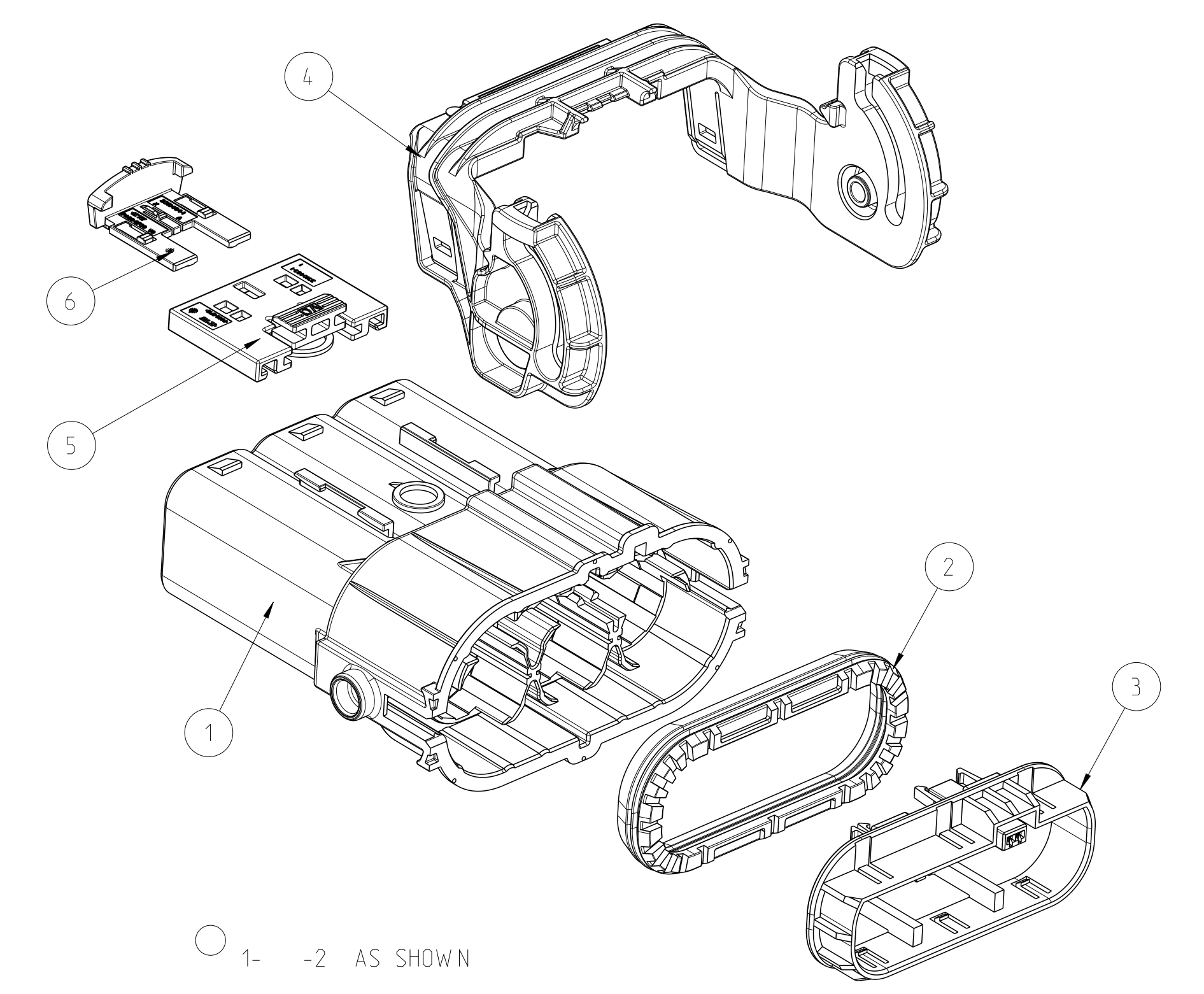
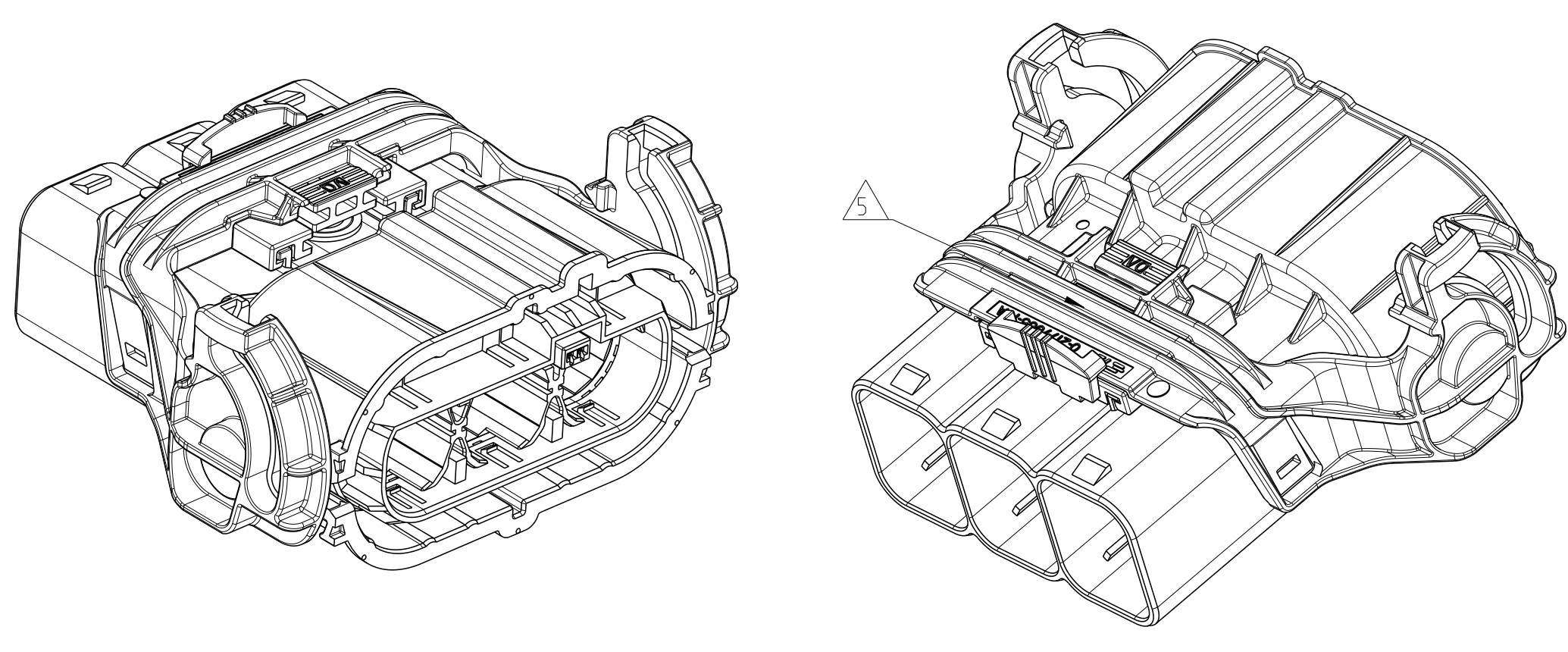
REVISIONS			
REV	DATE	DESCRIPTION	BY
A	30NOV2017	RELEASE	D.J. I.Y.
A1	09DEC2018	REVISED ECO-18-015921	D.J. E.J.

NOTES

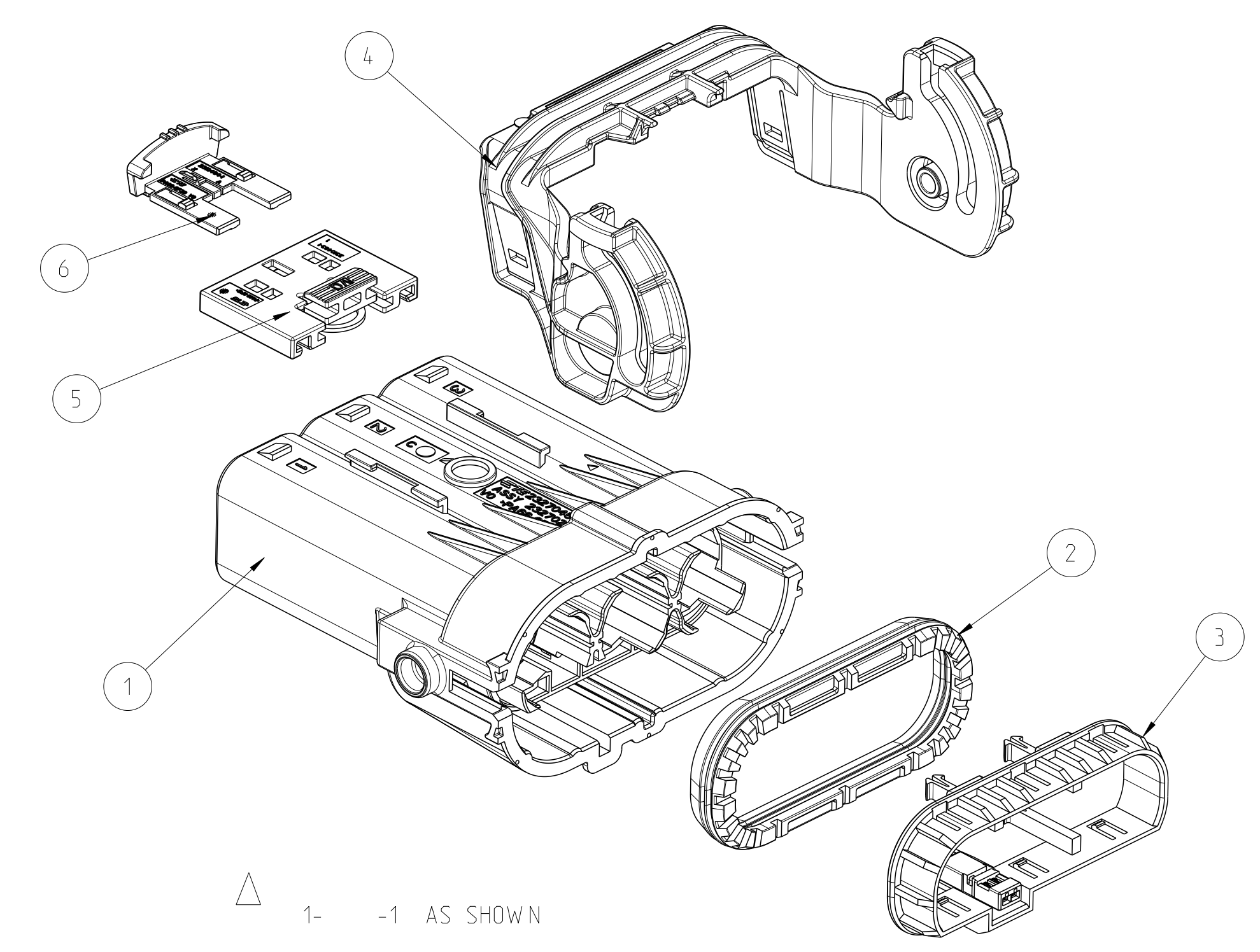
- SPECIFIED WIRE RANGE: SEE
- VISUAL CONTROL OF VARIANT. SEE TABLE
- SUPPLY CONDITION: LEVER IN ENDOCKING POSITION
- CAVITY IDENTIFICATION
- PRODUCTION DATE: HH:MM D/W/Y,
- ASSEMBLY PN MARKING
- PRODUCT-SPEC. REFER TO 108-94297  
OPERATION TEMPERATURE: -40-125 °C
- APPLICATION-SPEC. REFER TO 114-94130
- MATING CONNECTOR 3POS.PIN DIA 8.0.PIN HSG.ASSY  
TE-PN:2325013



1-2327025-4 AS SHOWN



1- -2 AS SHOWN



1- -1 AS SHOWN

TE ASSY-NO.	CODE	QTY	DESCRIPTION	MATERIAL	SURFACE COLOUR	ITEM	SYMBOL
1-2327025-4	B	1	CPA, HVP800	PA66-GF30 V0	RED SIM, RAL 3000	6	
		1	CPA-ADAPTER	PA66-GF15 V0	DUSTY-GREY SIM, RAL 7037	5	
		1	LEVER, 3POS, 180 DEG	PA66-GF30 V0	WHITE SIM, RAL 9010 (9001)	4	
		1	3POS, MCON-1.2, REC HSG, 180 DEG, Assy	-	-	3	
		1	RADIAL SEAL 23.9x65.3	SILICON RUBBER	WHITE SIM, RAL 9010	2	
		1	3POS, 8MM HV, REC HSG, 180 DEG, SEALED	PA66-GF30 V0	ORANGE SIM, RAL 2003	1	
1-2327025-3	B	1	CPA, HVP800	PA66-GF30 V0	RED SIM, RAL 3000	6	
		1	CPA-ADAPTER	PA66-GF15 V0	DUSTY-GREY SIM, RAL 7037	5	
		1	LEVER, 3POS, 180 DEG	PA66-GF30 V0	WHITE SIM, RAL 9010 (9001)	4	
		1	3POS, MCON-1.2, REC HSG, 180 DEG, Assy	-	-	3	
		1	RADIAL SEAL 23.9x65.3	SILICON RUBBER	WHITE SIM, RAL 9010	2	
		1	3POS, 8MM HV, REC HSG, 180 DEG, SEALED	PA66-GF30 V0	ORANGE SIM, RAL 2003	1	
1-2327025-2	A	1	CPA, HVP800	PA66-GF30 V0	RED SIM, RAL 3000	6	
		1	CPA-ADAPTER	PA66-GF15 V0	DUSTY-GREY SIM, RAL 7037	5	
		1	LEVER, 3POS, 180 DEG	PA66-GF30 V0	BLACK SIM, RAL 9005 (9011)	4	
		1	3POS, MCON-1.2, REC HSG, 180 DEG, Assy	-	-	3	
		1	RADIAL SEAL 23.9x65.3	SILICON RUBBER	WHITE SIM, RAL 9010	2	
		1	3POS, 8MM HV, REC HSG, 180 DEG, SEALED	PA66-GF30 V0	ORANGE SIM, RAL 2003	1	
1-2327025-1	A	1	CPA, HVP800	PA66-GF30 V0	RED SIM, RAL 3000	6	
		1	CPA-ADAPTER	PA66-GF15 V0	DUSTY-GREY SIM, RAL 7037	5	
		1	LEVER, 3POS, 180 DEG	PA66-GF30 V0	BLACK SIM, RAL 9005 (9011)	4	
		1	3POS, MCON-1.2, REC HSG, 180 DEG, Assy	-	-	3	
		1	RADIAL SEAL 23.9x65.3	SILICON RUBBER	WHITE SIM, RAL 9010	2	
		1	3POS, 8MM HV, REC HSG, 180 DEG, SEALED	PA66-GF30 V0	ORANGE SIM, RAL 2003	1	

THIS DRAWING IS A CONTROLLED DOCUMENT.

DATE: 30NOV2017  
 DRAWN BY: D.J. I.Y.  
 CHECKED BY: E. JIANG  
 APPROVED BY: T. LYIN

STE TE Connectivity

3POS, 8mm HV, REC HSG, 180DEG, ASSY, SEALED

SCALE: 1:1 SHEET 1 OF 1 REV A1