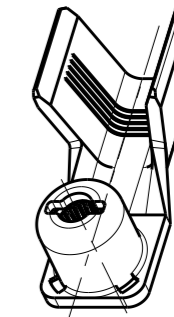
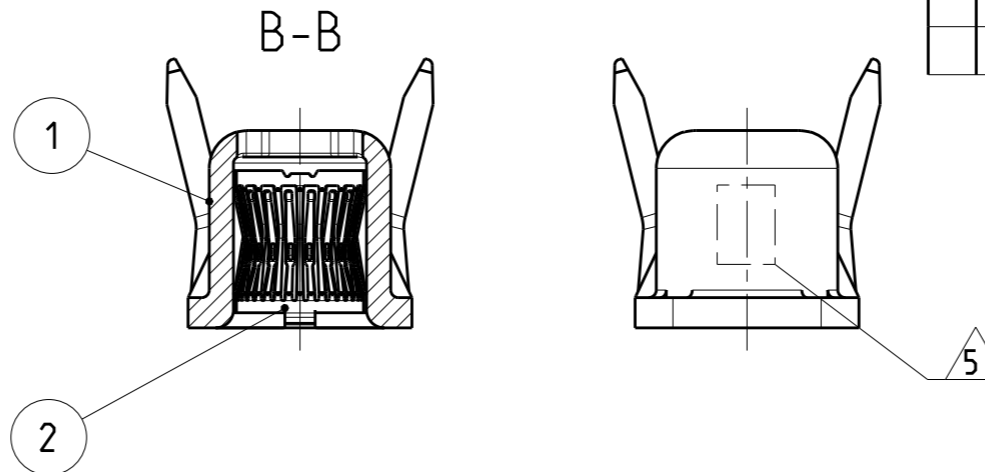
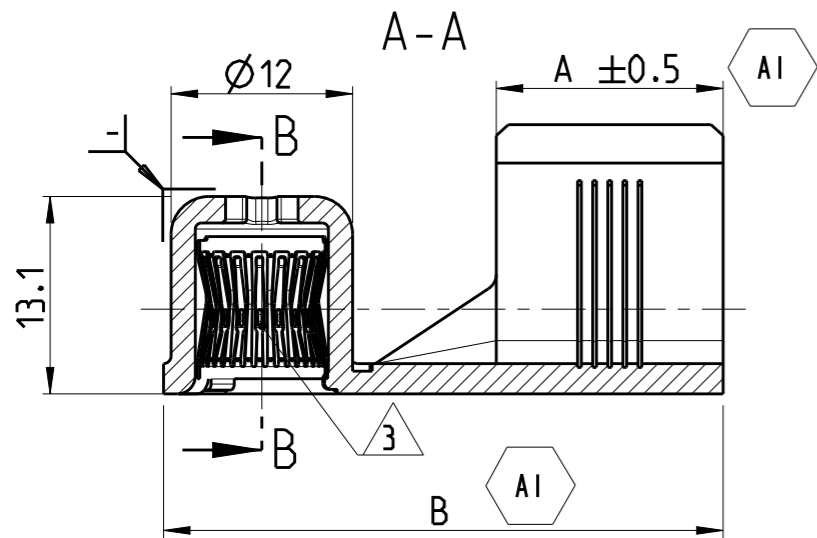


THIS DRAWING IS UNPUBLISHED. RELEASED FOR PUBLICATION 2010

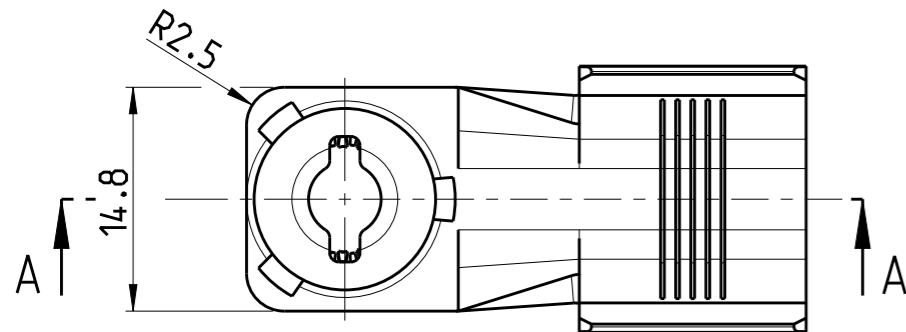
© COPYRIGHT 2010 Tyco Electronics AMP GmbH ALL RIGHTS RESERVED.

REVISIONS

P	LTR	DESCRIPTION	DATE	DWN	APVD
A		RELEASED	25NOV2017	JL	IY
A1		ECR-2008102	03AUG2020	ST	EJ



1:1



WIRE RANGE	LIMIT TEMPERATURE	MARKING	DIMENSIONS	UPPER PLATING	MATERIAL	QTY	ITEM	DESCRIPTION	REV	ASSY NO.
25/35/50MM2	180°C	850V APPLICATION:ENGRAVING OF LETTER“X1”	34 12	Ag	CuNiSi	1	2	HV 8mm SPRING	A	1-2328073-2
25/35/50MM2	180 °C	650V APPLICATIONS:“PUNCH”	37 15	Ag	Cu	1	1	DEEP DRAWN SOCKET 90 DEGREES	A	2328073-2
			B A±0.5							

NOTES

- 1 PACKAGING: LOOSE PIECE
- 2 DETAILS OF THE DESIGN REMAIN THE MANUFACTURER RESERVED
- 3 SPRING IS LUBRICATED
- 4 APPLICABLE PRODUCT SPECIFICATION AND APPLICATION SPECIFICATION REFER TO 108-94256 AND 114-94083
- 5 MARKING

TOLERANCING ISO 8015

THIS DRAWING IS A CONTROLLED DOCUMENT.	
DIMENSIONS: mm	TOLERANCES UNLESS OTHERWISE SPECIFIED:
	0 PLC ±0.4
	1 PLC ±0.1
	2 PLC ±
	3 PLC ±
	4 PLC ±
	ANGLES ±1°
MATERIAL	FINISH

DWN	J.LI	24NOV2017
CHK	E. JIANG	24NOV2017
APVD	L.YIN	24NOV2017
PRODUCT SPEC		4
APPLICATION SPEC		4
WEIGHT	(20 g)	

**TE** TE Connectivity

NAME HV 8mm, DEEP DRAWN SOCKET 90 DEG. ASSEMBLY

SIZE	CAGE CODE	DRAWING NO	RESTRICTED TO
A3	00779	C-2328073	

CUSTOMER DRAWING SCALE 2:1 SHEET 1 OF 1 REV A1