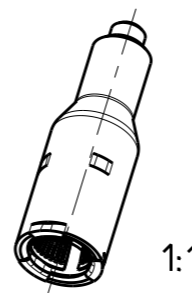
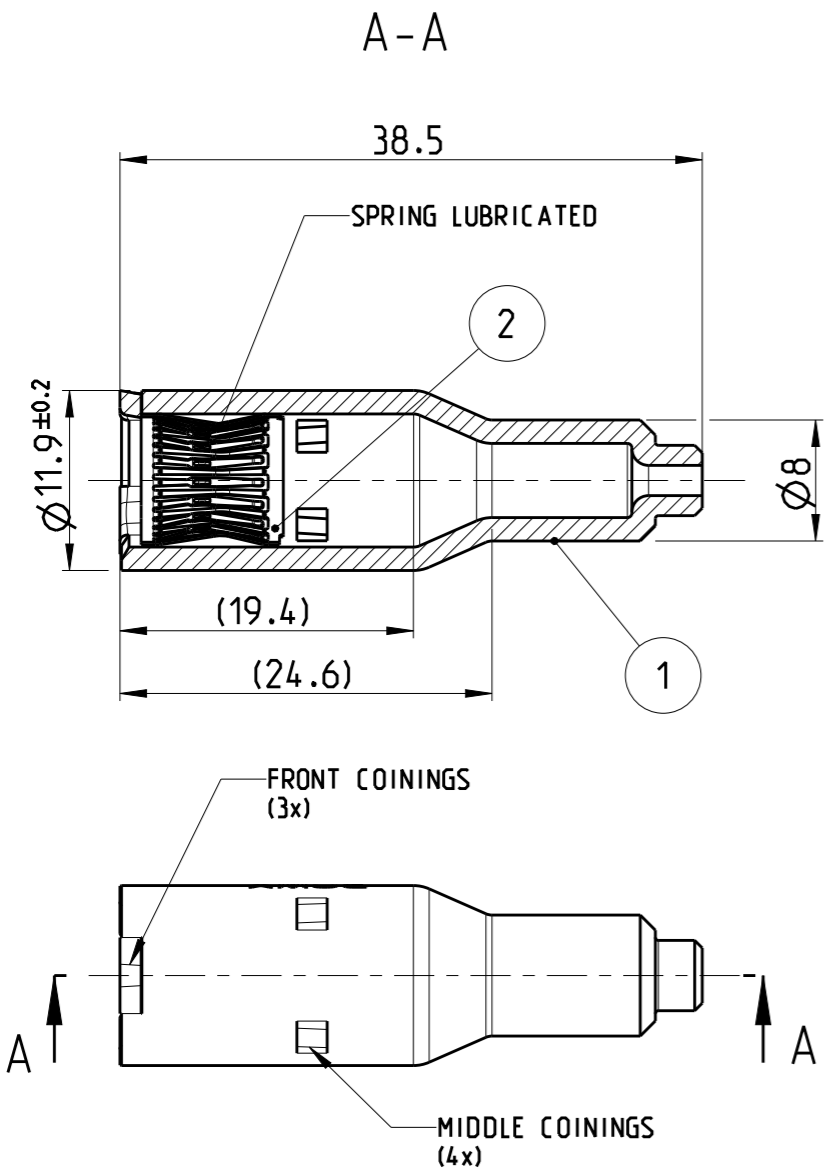


THIS DRAWING IS UNPUBLISHED. RELEASED FOR PUBLICATION 2010
 © COPYRIGHT 2010 Tyco Electronics AMP GmbH ALL RIGHTS RESERVED.

REVISIONS					
P	LTR	DESCRIPTION	DATE	DWN	APVD
	A	RELEASED	24NOV2017	JL	IY
	A1	ECR-2008102	03AUG2020	ST	EJ



- PACKAGING: LOOSE PIECE/ TRAY
- DETAILS OF THE DESIGN REMAIN THE MANUFACTURER RESERVED
- APPLICABLE PRODUCT SPECIFICATION AND APPLICATION SPECIFICATION REFER TO 108-94256 AND 114-94083

180°C	Ag	CuNiSi	1	2	HV 8mm SPRING	A	2328074-1
	Ag	Cu	1	1	HV 8mm; DEEP DRAWN SOCKET PIN 90 DEG.		
LIMIT TEMPERATURE	UPPER PLATING	MATERIAL	QTY	ITEM	DESCRIPTION	REV	ASSY NO.

THIS DRAWING IS A CONTROLLED DOCUMENT.		TOLERANCING ISO 8015		TE Connectivity			
DIMENSIONS: mm 		TOLERANCES UNLESS OTHERWISE SPECIFIED: 0 PLC ±0.2 1 PLC ±0.1 2 PLC ± 3 PLC ± 4 PLC ± ANGLES ±1°				DWN J.LI 24NOV2017 CHK E. JIANG 24NOV2017 APVD I.YIN 24NOV2017 NAME HV 8mm, DEEP DRAWN SOCKET PIN 90 DEG. ASSY	
MATERIAL SEE LIST		FINISH		PRODUCT SPEC - 3 APPLICATION SPEC - 3 WEIGHT (15 g) CUSTOMER DRAWING			
				SIZE A3	CAGE CODE 00779	DRAWING NO C-2328074	RESTRICTED TO
				SCALE 2:1	SHEET 1 OF 1	REV A1	