

THIS DRAWING IS UNPUBLISHED.

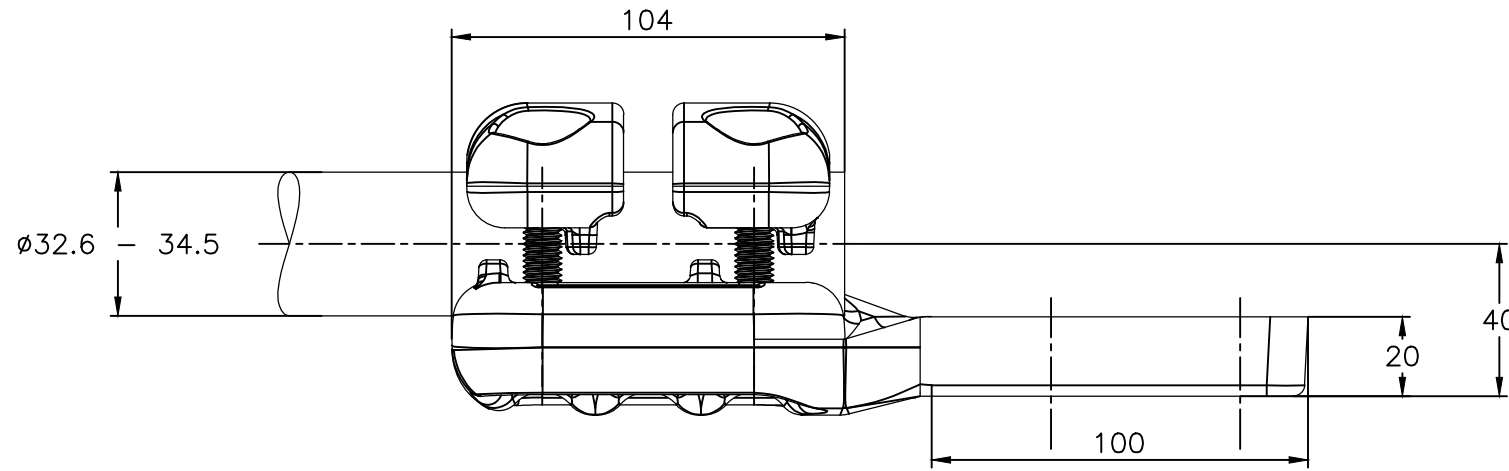
RELEASED FOR PUBLICATION

ALL RIGHTS RESERVED.

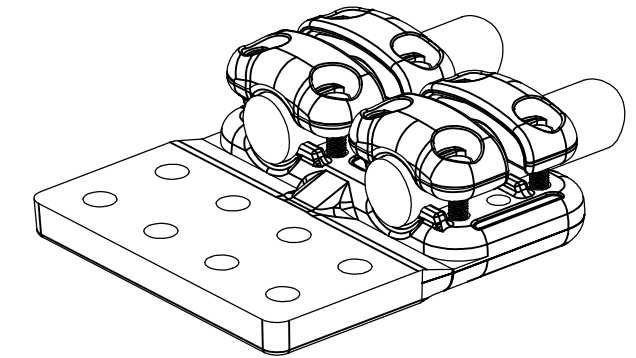
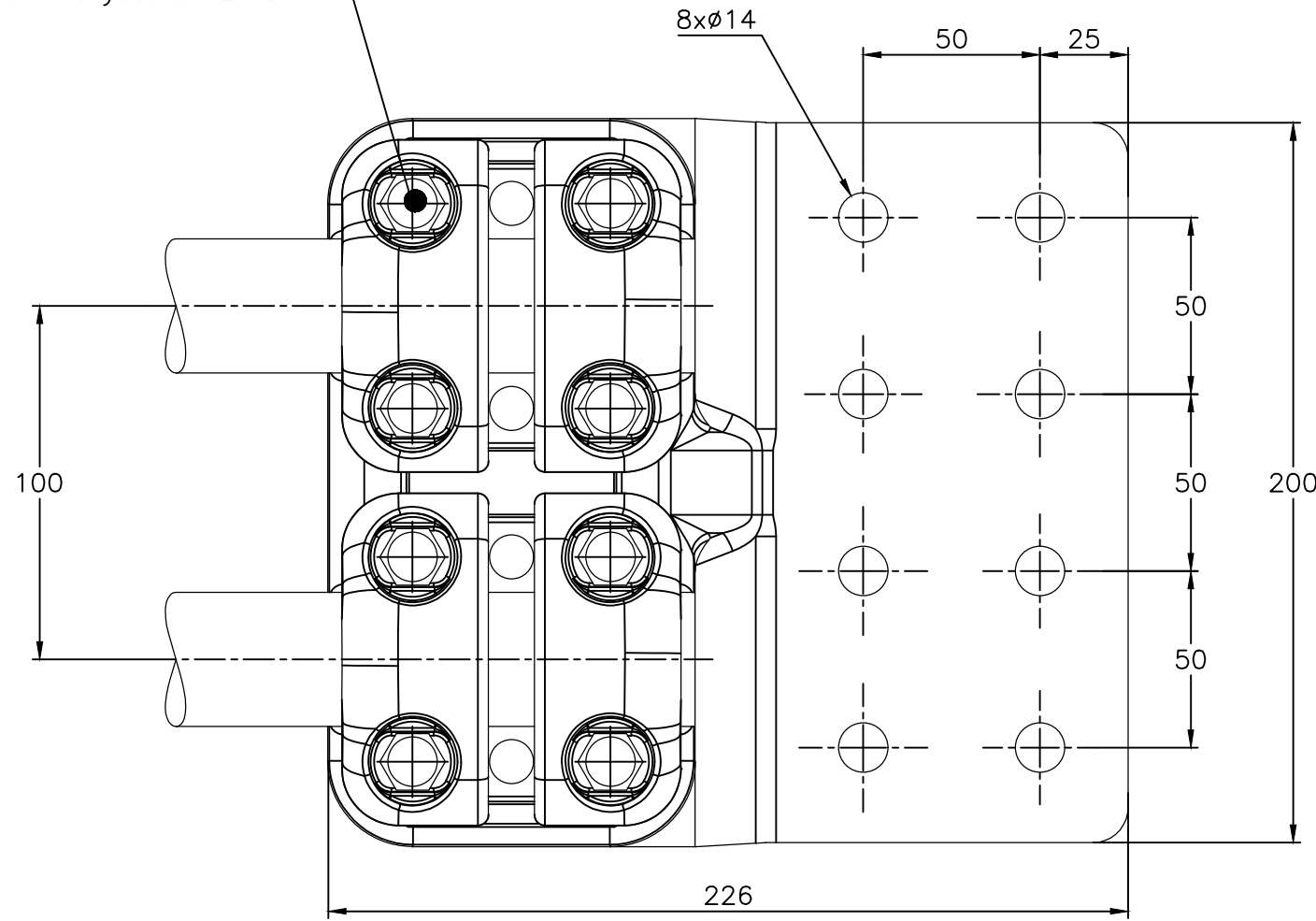
© COPYRIGHT - By -

REVISIONS

P	LTR	DESCRIPTION	DATE	DWN	APVD
	A	CREATION	23-NOV-17	GL	-



M10 Bolts stainless steel A2: 37Nm
 Boulons M10 acier inoxydable A2: 37Nm



No scale
 Sans échelle

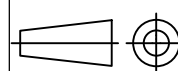
ITEM:.....

THIS DRAWING IS A CONTROLLED DOCUMENT.

DWN LAFORGE 23-NOV-17

DIMENSIONS:
mm

TOLERANCES UNLESS OTHERWISE SPECIFIED:



- 0 PLC ± -
- 1 PLC ± -
- 2 PLC ± -
- 3 PLC ± -
- 4 PLC ± -
- ANGLES ± -

MATERIAL

FINISH

CHK -

APVD -

PRODUCT SPEC

108-69096-001

APPLICATION SPEC

-

APPROX.WEIGHT 3.4 kg

CUSTOMER DRAWING



NAME FLAT PALM CONNECTOR FOR TWIN CONDUCTORS
 RACCORD A PLAGE POUR FAISCEAU DOUBLE

5 PD 82 F M345 E100 100X200 R90

SIZE A3 CAGE CODE 00779 DRAWING NO. C=2328300 RESTRICTED TO -

SCALE 1:2 SHEET 1 OF 1 REV A