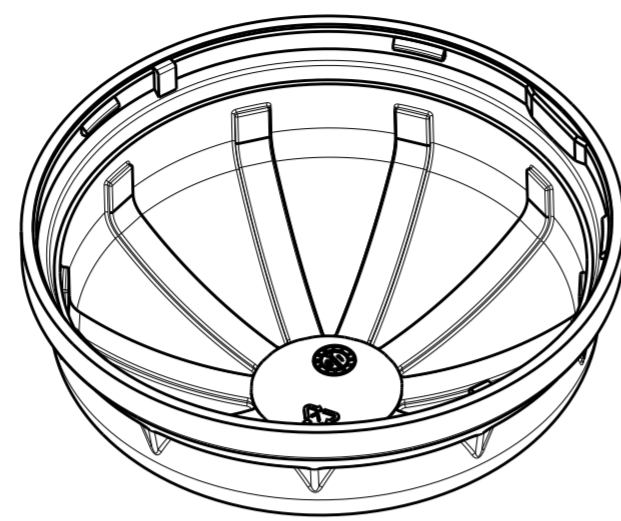
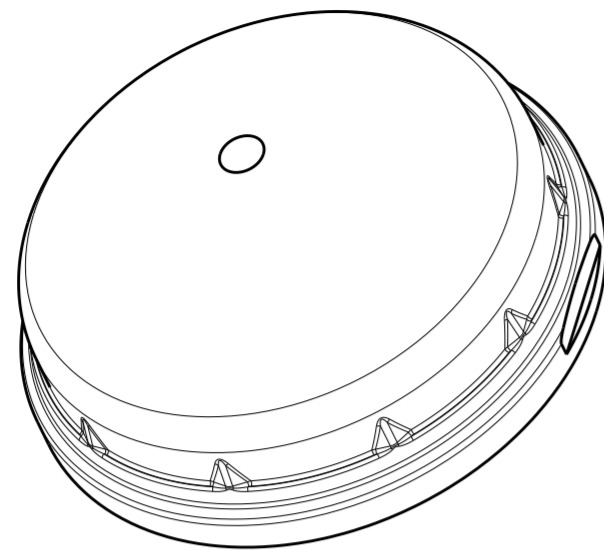
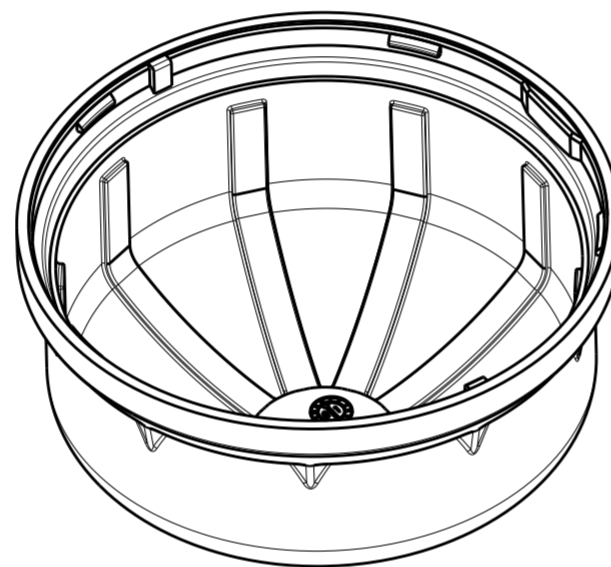
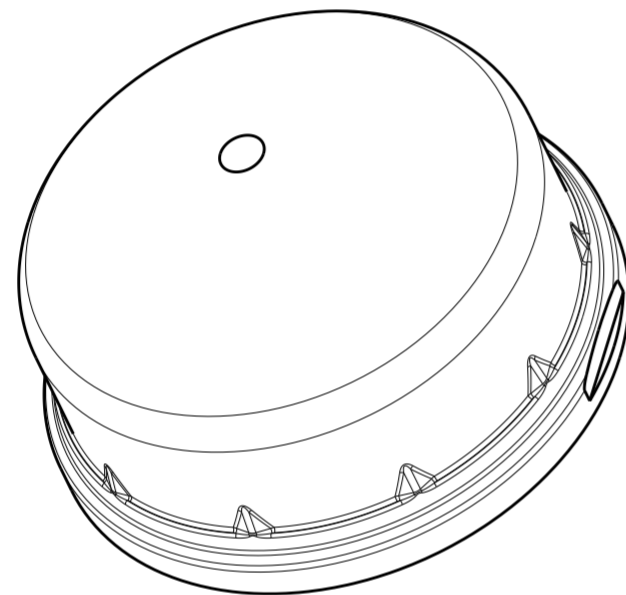


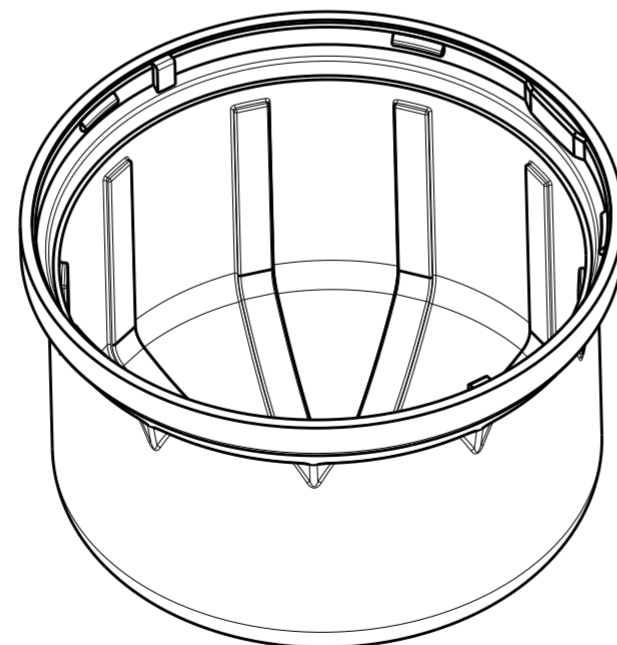
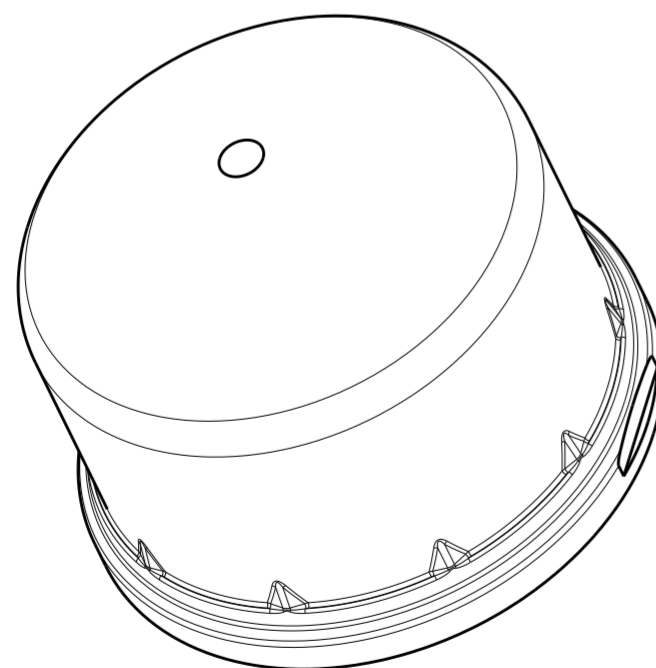
P	LTR	DESCRIPTION	DATE	DWN	APVD
A		REVISED PER ECR-18-017862	22NOV2018	SR	DD
B		REVISED PER ECR-19-008311	06JUN2019	SR	DD
B1		REVISED PER ECR-19-015297	01OCT2019	SB	DD
B2		REVISED PER ECR-20-007067	24JUN2020	SB	DD



2328823-1 AND 1-2328823-1
SHOWN



2328823-2 AND 1-2328823-2
SHOWN



2328823-3 AND 1-2328823-3
SHOWN

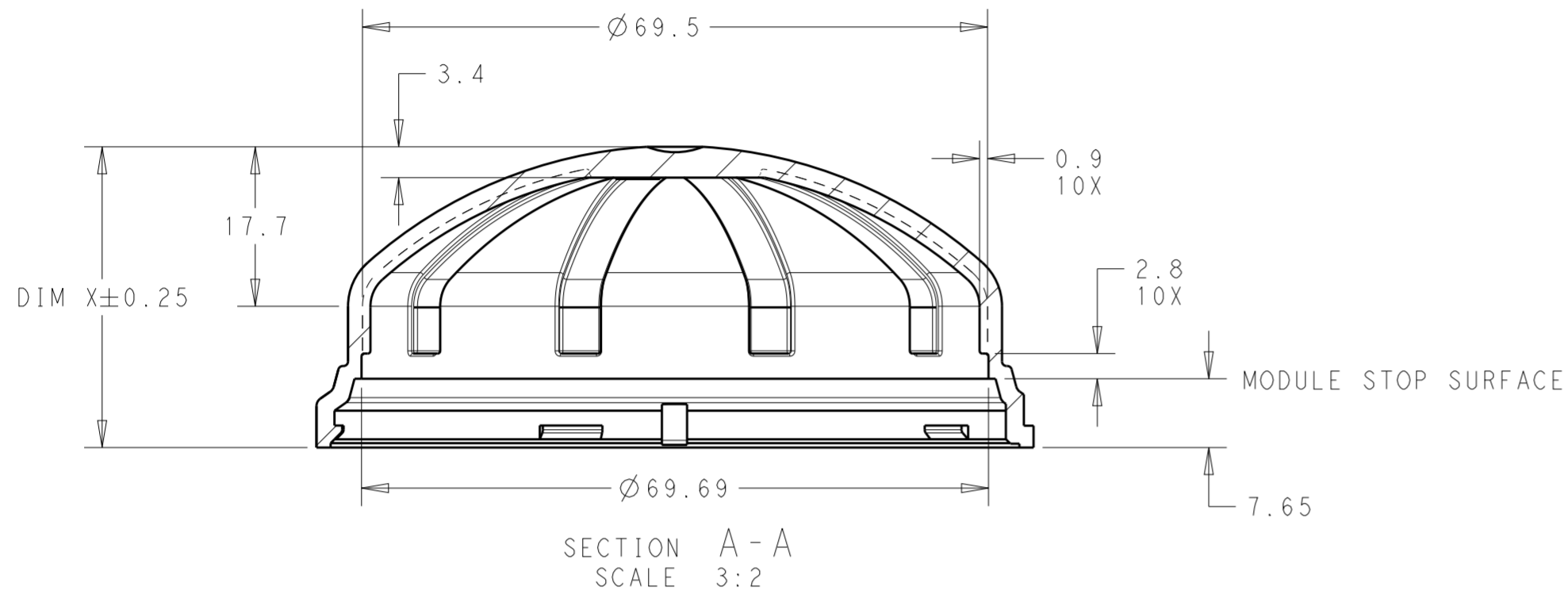
NOTES:

- 1. MATERIAL:
- POLYCARBONATE COLOR: SEE TABLE
- 2. MUST COMPLY WITH DIRECTIVE 2002/95/EC (ROHS)
- 3. MODULE BASE TE P/N: 2213831-1
- 4. PACKAGED 24 PER PLASTIC TRAY
DIM X = 33.43 AND 43.43 - 7 TRAYS PER BOX
DIM X = 58.43 - 5 TRAYS PER BOX

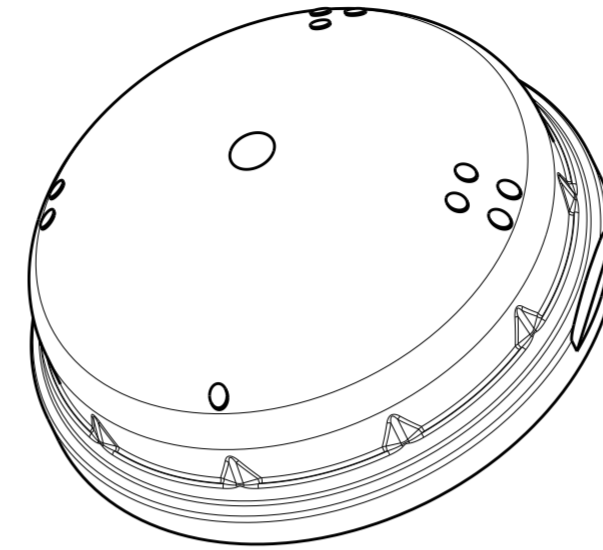
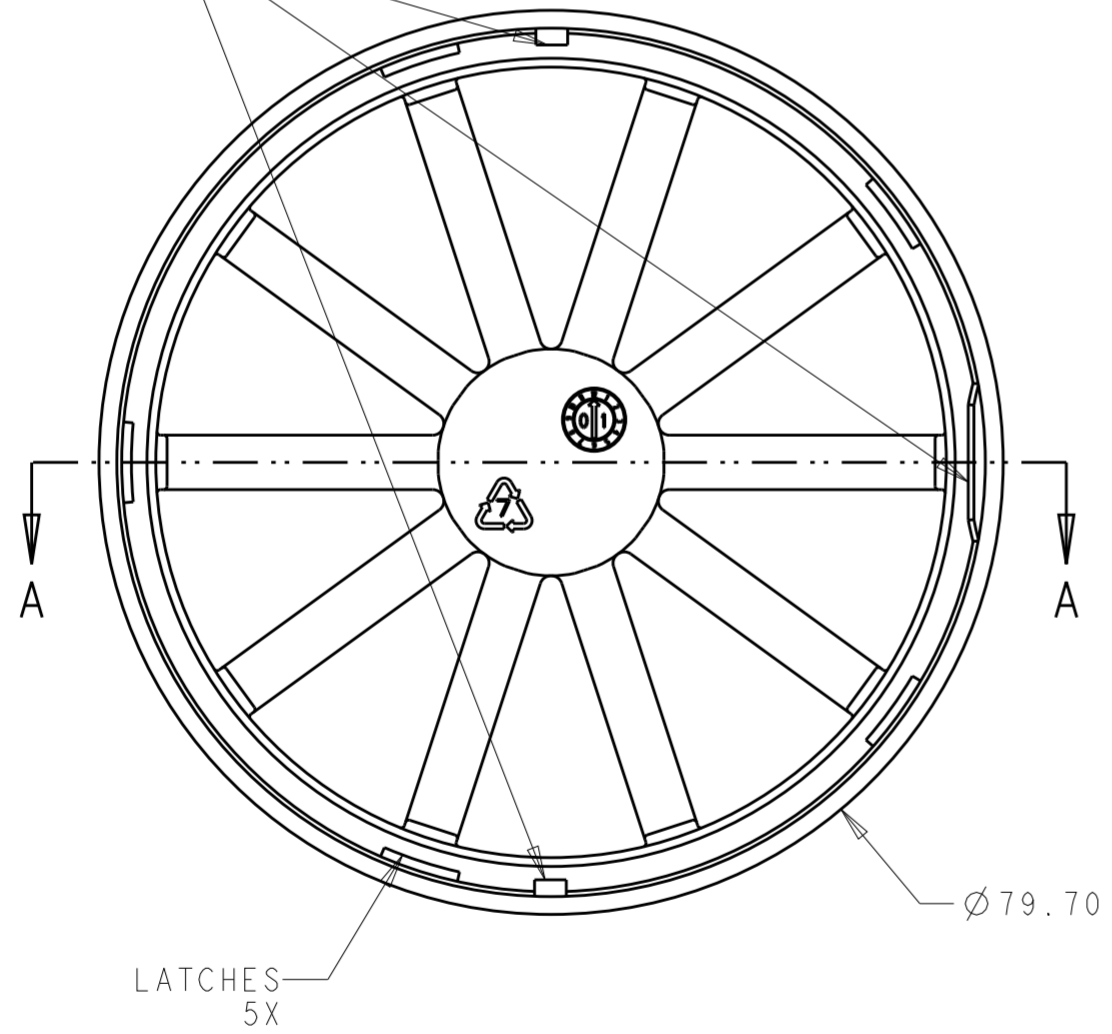
IDENTIFICATION MARKINGS	APPROX. LIGHT TRANSMISSION	COLOR	DIM X	PART NO.
NO	26%	TRANSLUCENT GRAY	58.43	4-2328823-3
NO	26%	TRANSLUCENT GRAY	43.43	4-2328823-2
NO	26%	TRANSLUCENT GRAY	33.43	4-2328823-1
YES	78%	TRANSPARENT CLEAR	58.43	3-2328823-3
YES	78%	TRANSPARENT CLEAR	43.43	3-2328823-2
YES	78%	TRANSPARENT CLEAR	33.43	3-2328823-1
YES	24%	TRANSPARENT SMOKE	58.43	2-2328823-3
YES	24%	TRANSPARENT SMOKE	43.43	2-2328823-2
YES	24%	TRANSPARENT SMOKE	33.43	2-2328823-1
NO	78%	TRANSPARENT CLEAR	58.43	1-2328823-3
NO	78%	TRANSPARENT CLEAR	43.43	1-2328823-2
NO	78%	TRANSPARENT CLEAR	33.43	1-2328823-1
NO	24%	TRANSPARENT SMOKE	58.43	2328823-3
NO	24%	TRANSPARENT SMOKE	43.43	2328823-2
NO	24%	TRANSPARENT SMOKE	33.43	2328823-1

THIS DRAWING IS A CONTROLLED DOCUMENT.		DWN C. DAILY 10 JAN 2018	TE Connectivity	
		CHK M. STOLLER 10 JAN 2018		
DIMENSIONS: mm		APVD -	NAME DOME, LUMAWISE ENDURANCE S, 80mm	
TOLERANCES UNLESS OTHERWISE SPECIFIED: 0 PLC ± 1 PLC ±0.2 2 PLC ±0.10 3 PLC ± 4 PLC ± ANGLES ±1° FINISH -		PRODUCT SPEC 108-133073	RESTRICTED TO	
MATERIAL SEE TABLE		APPLICATION SPEC 114-133074	SIZE A2	CAGE CODE 00779
		WEIGHT -	DRAWING NO C-2328823	
		CUSTOMER DRAWING	SCALE 1:1	SHEET 1 OF 2
			REV B2	

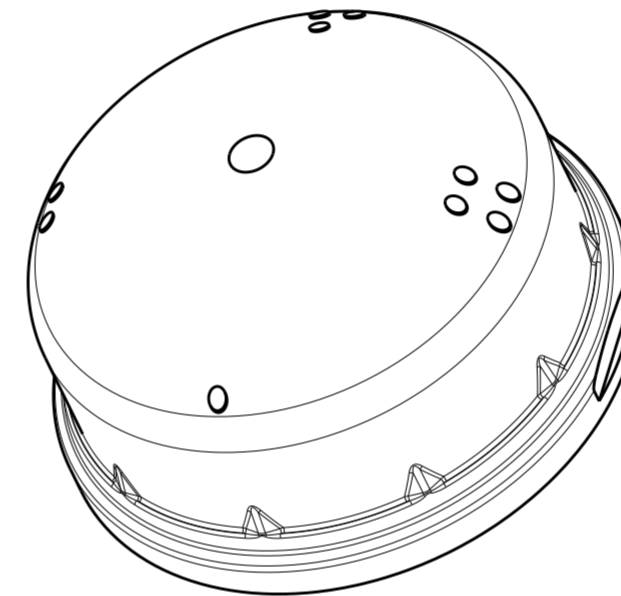
P	LTR	DESCRIPTION	DATE	DWN	APVD
-	-	SEE SHEET 1	-	-	-



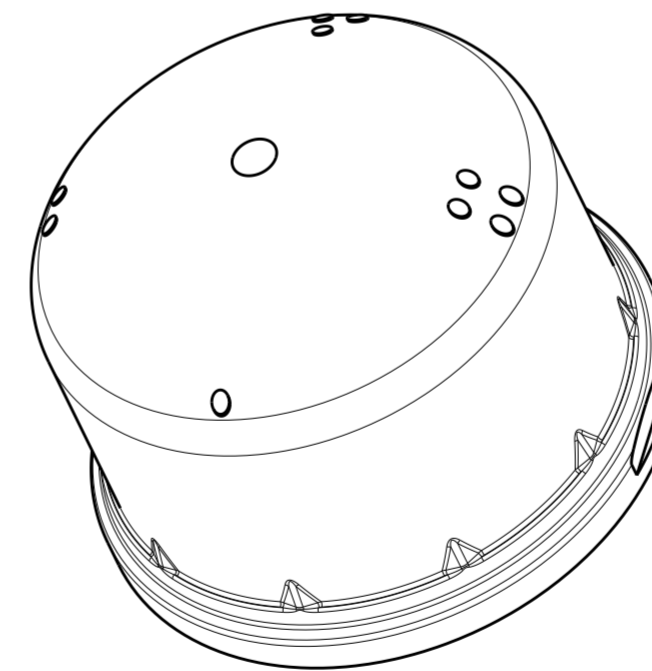
POLARIZATION FEATURES



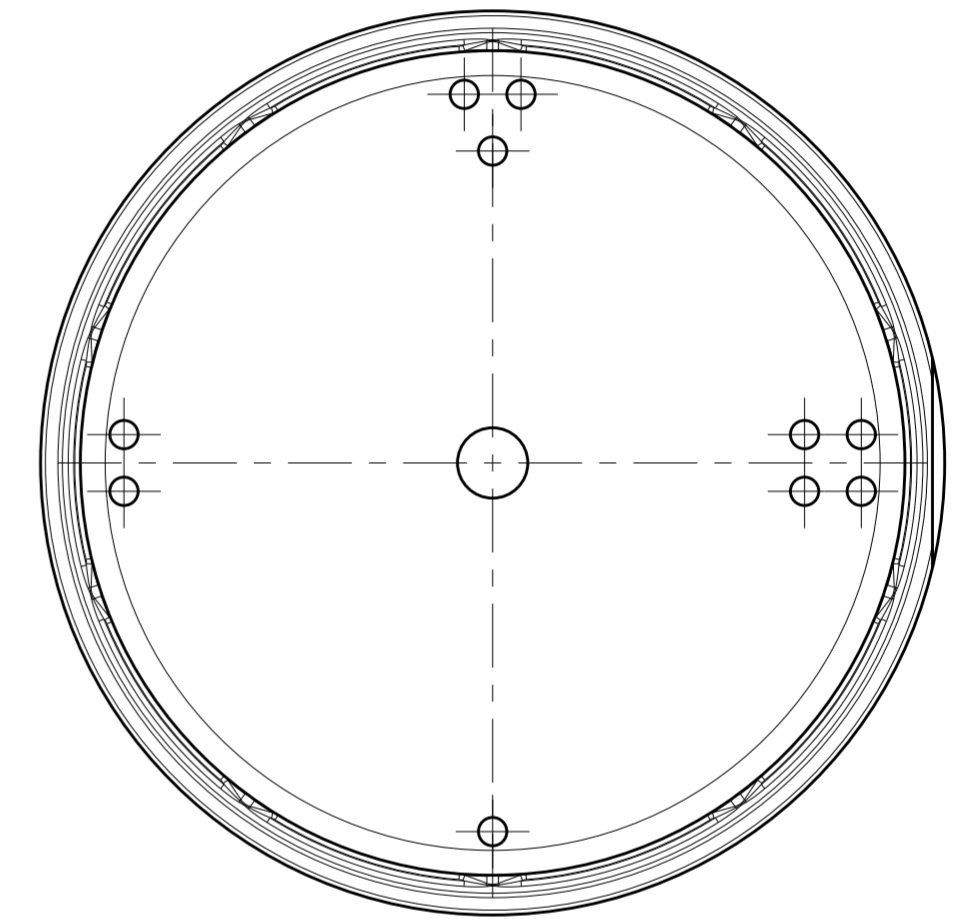
2-2328823-1 AND 3-2328823-1 SHOWN



2-2328823-2 AND 3-2328823-2 SHOWN



2-2328823-3 AND 3-2328823-3 SHOWN



IDENTIFICATION MARKING PATTERN

THIS DRAWING IS A CONTROLLED DOCUMENT.		DWN C. DAILY 10 JAN 2018	STE TE Connectivity	
		CHK M. STOLLER 10 JAN 2018		
DIMENSIONS: mm		TOLERANCES UNLESS OTHERWISE SPECIFIED:		NAME DOME, LUMAWISE ENDURANCE S, 80mm
0 PLC ±		1 PLC ±0.2		PRODUCT SPEC 108-133073
1 PLC ±0.10		2 PLC ±		APPLICATION SPEC 114-133074
2 PLC ±		3 PLC ±		SIZE A200779
3 PLC ±		4 PLC ±		CAGE CODE C-2328823
4 PLC ±		ANGLES ±1°		DRAWING NO C-2328823
FINISH		MATERIAL SEE TABLE		RESTRICTED TO
		WEIGHT		SCALE 1:1
		CUSTOMER DRAWING		SHEET 2 OF 2
				REV B2