

THIS DRAWING IS UNPUBLISHED.

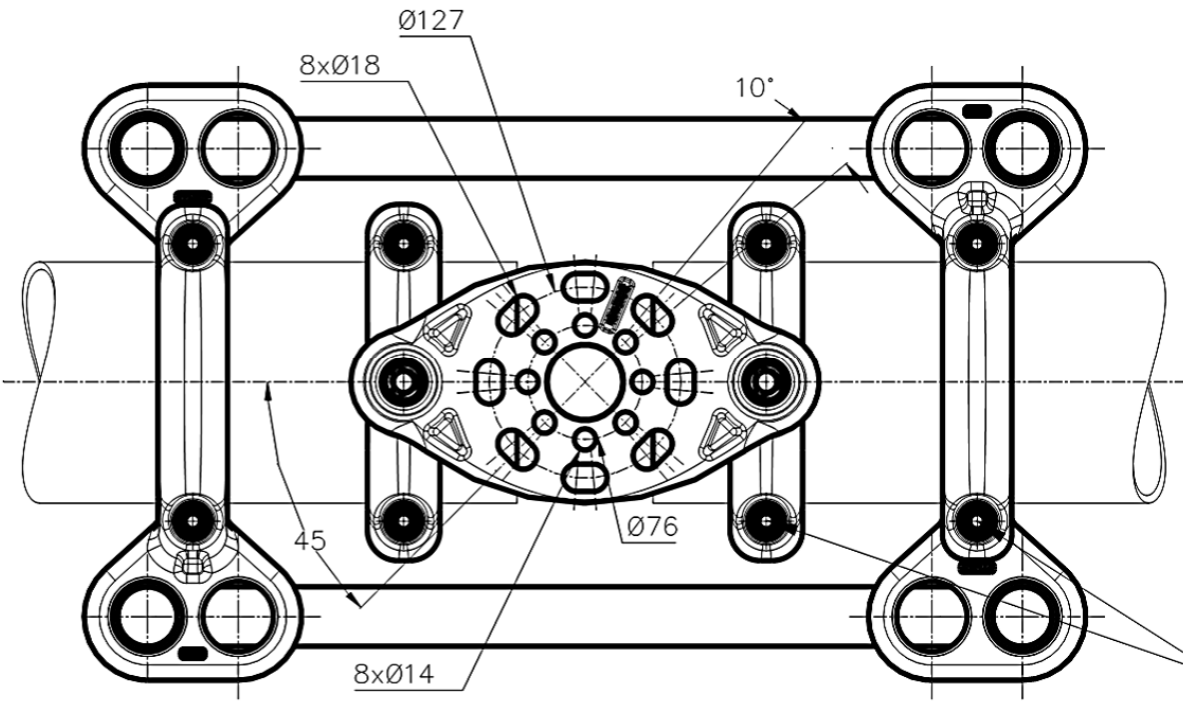
RELEASED FOR PUBLICATION

ALL RIGHTS RESERVED.

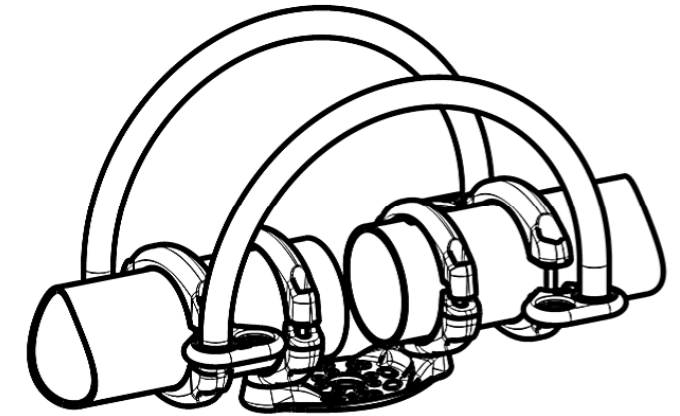
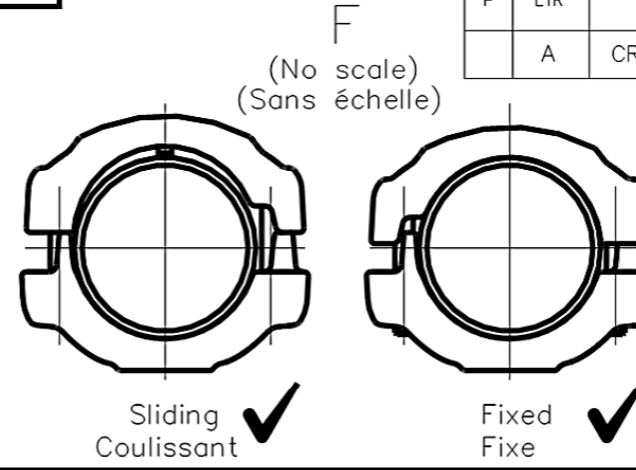
© COPYRIGHT - By -

REVISIONS

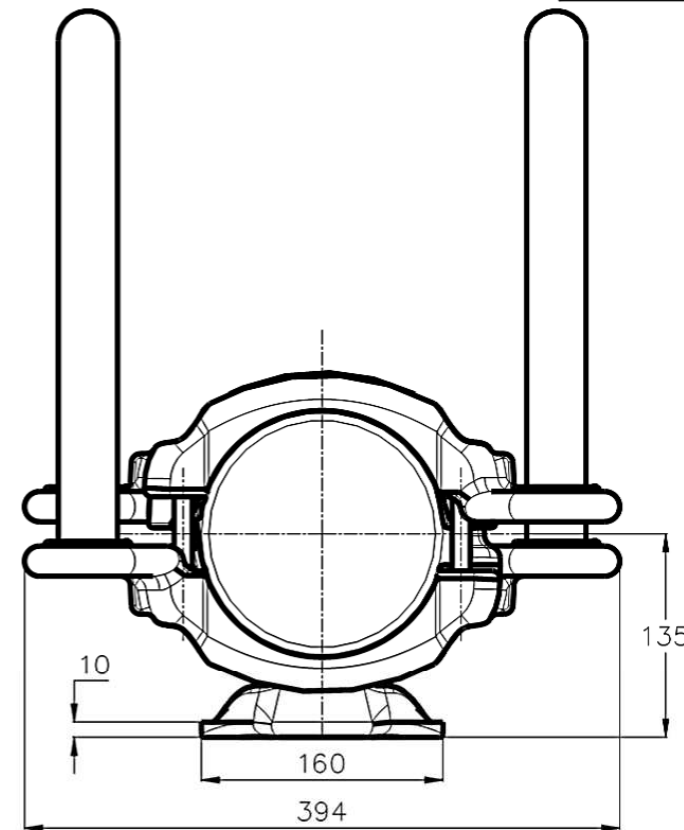
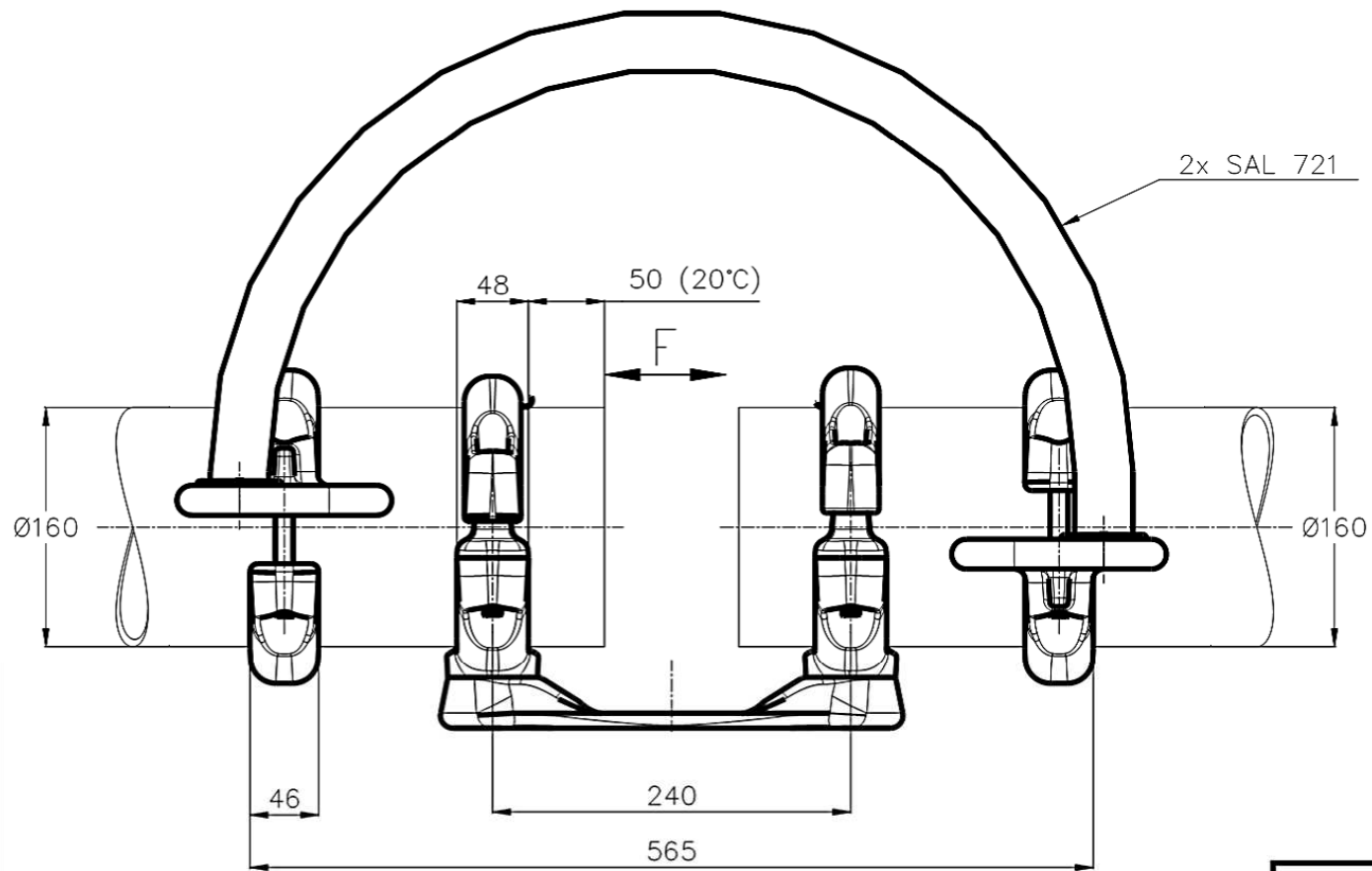
P	LTR	DESCRIPTION	DATE	DWN	APVD
A	CREATION		11-DEC-17	GL	-



M12 Bolts stainless steel A2: 60Nm
 Boulons M12 acier inoxydable A2: 60Nm



No scale
 Sans échelle



THIS DRAWING IS A CONTROLLED DOCUMENT.		DWN LAFORGE	11-DEC-17	STE TE Connectivity	
DIMENSIONS: mm		CHK	-		
TOLERANCES UNLESS OTHERWISE SPECIFIED:		APVD	-	NAME FLEXIBLE JUNCTION BUSBAR SUPPORT ON BPI SUPPORT JONCTION FLEXIBLE POUR TUBE SUR ISO	
0 PLC	± -	PRODUCT SPEC	-	5 TJL 82 P3-P5 T160 27	
1 PLC	± -	108-69090-001	-	SIZE	A3
2 PLC	± -	APPLICATION SPEC	-	CAGE CODE	00779
3 PLC	± -		-	DRAWING NO	C=2328892
4 PLC	± -		-	APPROX. WEIGHT	14.9 kg
ANGLES	± -		-	CUSTOMER DRAWING	
MATERIAL	-	FINISH	-	SCALE	1:5
ITEM:.....		RESTRICTED TO		SHEET	1 of 1
				REV	A