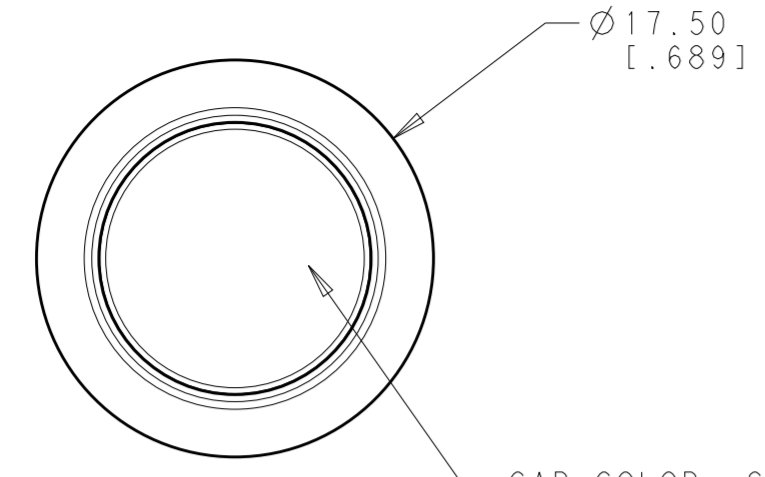


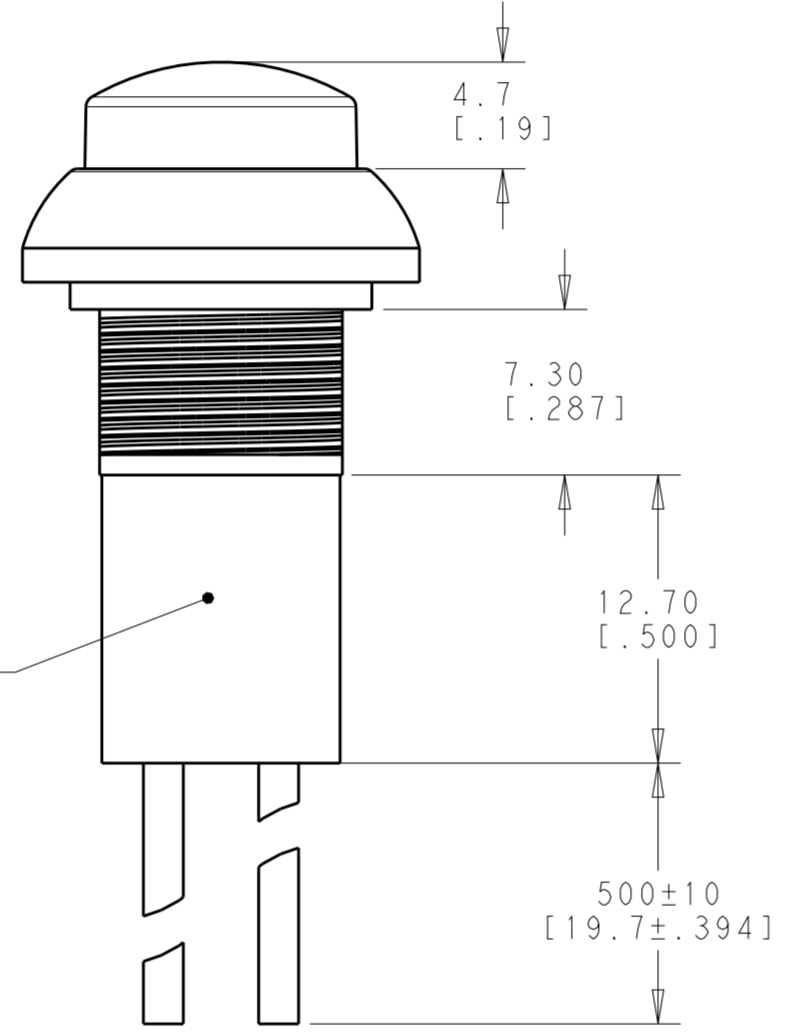
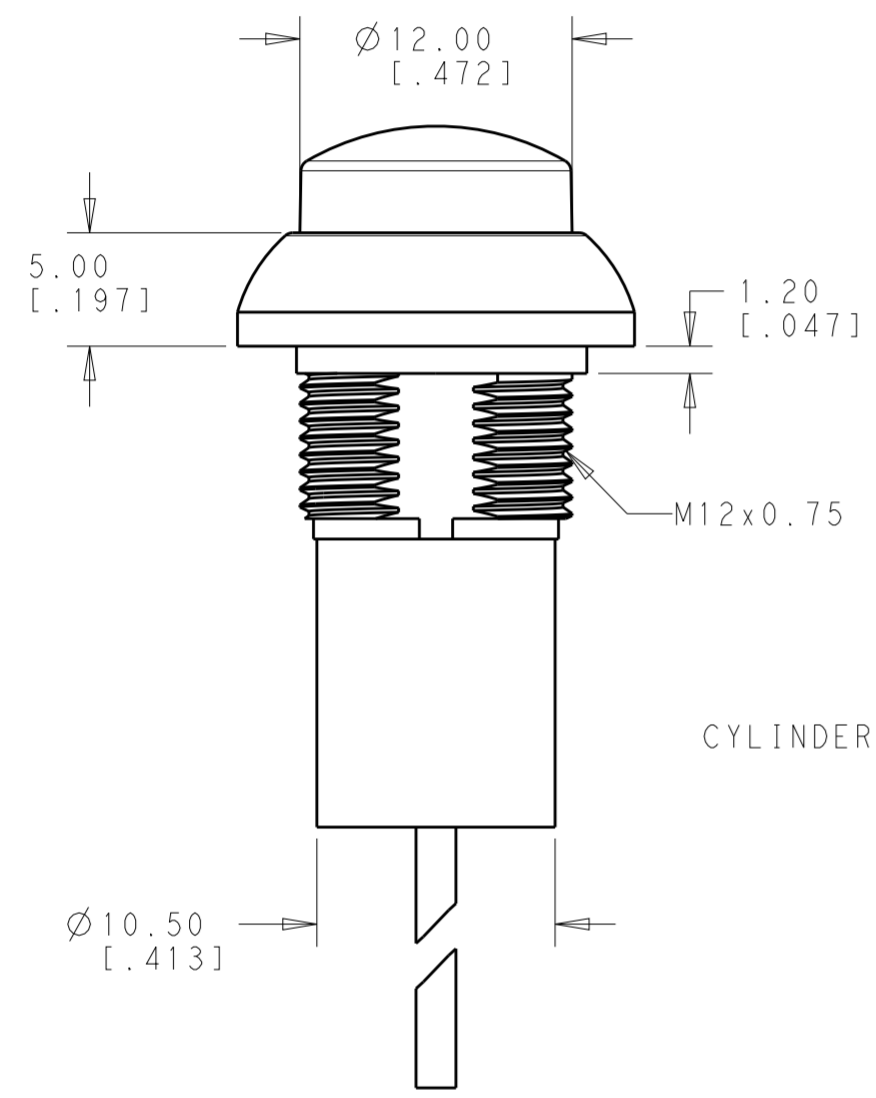
THIS DRAWING IS UNPUBLISHED. RELEASED FOR PUBLICATION
 © COPYRIGHT copyright.d8te- ALL RIGHTS RESERVED.

REVISIONS				
P	LTR	DESCRIPTION	DATE	APVD
2		REVISED TOLERANCE	20APR2018	JS AS

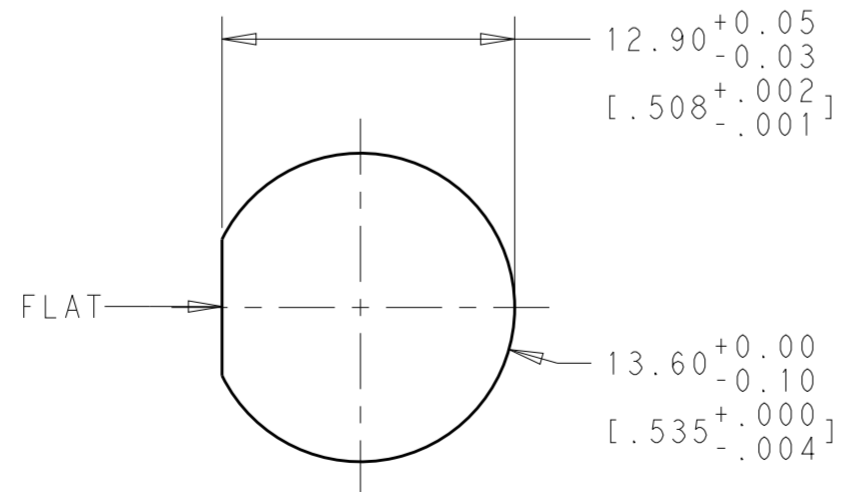
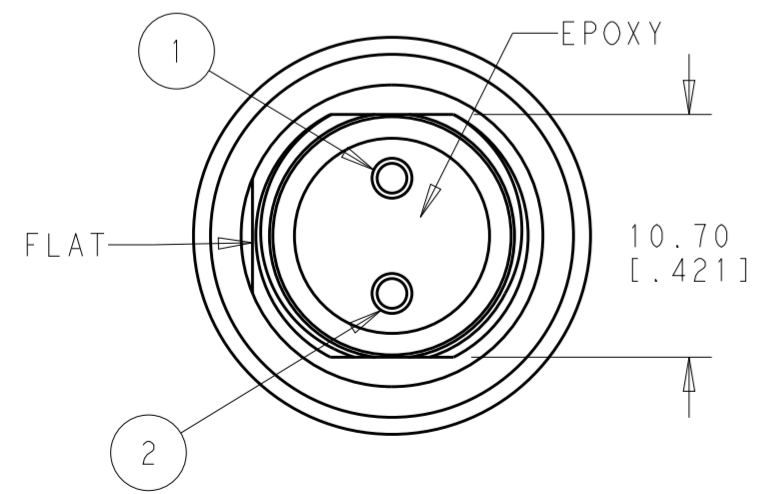
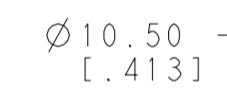


CAP COLOR: SEE TABLE

FLYING LEADS WITH COMMON STRAIN RELIEF OFF-(ON)



CYLINDER (WHITE)



PANEL CUT-OUT THICKNESS: 1.5mm~4.0mm [0.059~.157]

Model No.	POS. 1	POS. 2
PB6	OFF	MOM (ON)
CONNECTED TERMINALS	OPEN	CLOSE
SCHEMATIC		

SWITCH FUNCTION

SPECIFICATIONS:

MAXIMUM CURRENT/VOLTAGE RATING WITH RESISTIVE LOAD:
 400mA 32VAC, 200mA 50VDC, 125mA 125VAC

INITIAL CONTACT RESISTANCE: 100mΩ MAXIMUM, RESISTANCE OF THE WIRE NOT INCLUDED.

INSULATION RESISTANCE: 1 GΩ MINIMUM AT 500 VDC
 DIELECTRIC STRENGTH: 1,500 VAC RMS

CONTACT BOUNCE: 10ms
 ELECTRICAL LIFE AT FULL LOAD: 500,000 CYCLES
 MECHANICAL LIFE: 1,000,000 CYCLES

TOTAL TRAVEL: 1.5 (.059)
 ACTUATION FORCE: 3 TO 6N
 OPERATING TEMPERATURE: -30° TO 85° C

DEGREE OF PROTECTION: IP68, 1 HOUR @ 1 METER
 TORQUE: 0.5N*m MAXIMUM APPLIED TO NUT

MATERIALS:

CAP: POLYAMIDE 6/6
 PLUNGER: POLYAMIDE 6/6 OR POLYCARBONATE
 RUBBER: SILICONE
 BUSHING: POLYAMIDE 6/6
 CASE: DIALLYL PHTHALATE (DAP) (UL94 V-0)
 TERMINALS/CONTACTS: COPPER ALLOY, GOLD OVER SILVER PLATED
 HEX NUT: BRASS, NICKEL PLATED (1)
 LOCK WASHER: BRASS, NICKEL PLATED (1)
 O-RING: SILICONE (1)
 WIRE: UL 3385, AWG 20, SECTION 0.6mm²
 SPRING: STEEL
 CYLINDER: PTFE

PACKAGING:

SWITCHES ARE BUNDLED. HARDWARE IS NOT ASSEMBLED TO THE SWITCH.

COMPLIANCE:

ALL MATERIALS AND FINISHES SHALL COMPLY WITH EU DIRECTIVE 2002/95/EC OF 27JAN2003 (RoHS)

SOLDER PROCESSING:

MANUAL SOLDERING: SOLDER IRON, 30 WATTS, CONTROLLED AT 350° C, APPROXIMATELY 5 SECONDS WHILE APPLYING SOLDER.

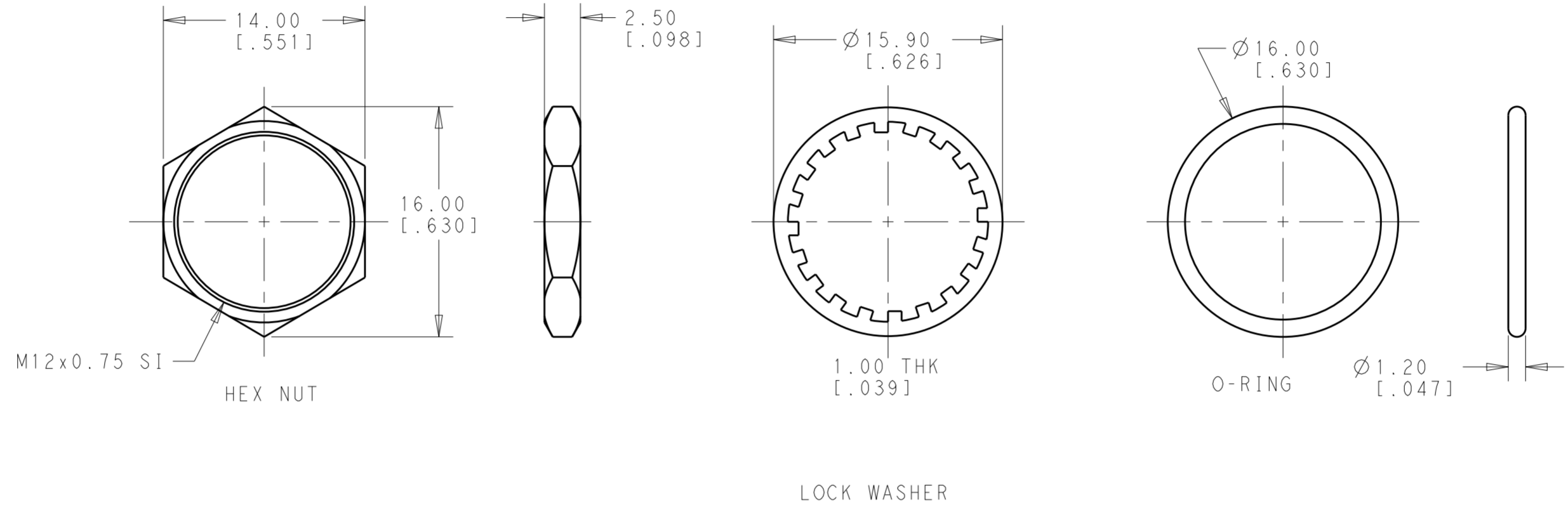
1. HARDWARE IS SHIPPED UNASSEMBLED.

NO.	DESCRIPTION	WIRE COLOR
2	TERMINAL 2	BLACK
1	TERMINAL 1	BLACK

THIS DRAWING IS A CONTROLLED DOCUMENT.		DWN: RAVLS 22FEB2018	TE Connectivity	
DIMENSIONS: mm [INCHES]		CHK: ALEXANDER SHARPE 22FEB2018		
TOLERANCES UNLESS OTHERWISE SPECIFIED:		APVD: ALEXANDER SHARPE 22FEB2018	NAME: SWITCH, PUSHBUTTON, HIGH CAP NO LED, FLYING LEADS WITH COMMON STRAIN RELIEF, SEALED, OFF-(ON)	
0 PLC	±	PRODUCT SPEC	SIZE: A2	
1 PLC	±0.4 [.016]	APPLICATION SPEC	CAGE CODE: 00779	
2 PLC	±0.25 [.010]	WEIGHT	DRAWING NO: C-2329358	
3 PLC	±	CUSTOMER DRAWING	RESTRICTED TO	
4 PLC	±		SCALE: 3:2	
ANGLES	±5°		SHEET 1 OF 2	
FINISH	-		REV 2	

THIS DRAWING IS UNPUBLISHED. RELEASED FOR PUBLICATION
 © COPYRIGHT copyright.d8te- ALL RIGHTS RESERVED.

REVISIONS					
P	LTR	DESCRIPTION	DATE	DWN	APVD
-		SEE SHEET 1	-	-	-



POLE	THROW	TERMINAL TYPE	CAP TYPE & COLOR	LED COLOR	TE DESCRIPTIVE PART NUMBER	PART NUMBER
SINGLE POLE	OFF-(ON) MOMENTARY	FLYING LEADS WITH COMMON STRAIN RELIEF	HIGH, SHINY BLUE	N/A	PB6B2HS7M1CAL00S500	2329358-5
			HIGH, SHINY GREEN	N/A	PB6B2HS6M1CAL00S500	2329358-4
			HIGH, SHINY YELLOW	N/A	PB6B2HS5M1CAL00S500	2329358-3
			HIGH, SHINY RED	N/A	PB6B2HS3M1CAL00S500	2329358-2
			HIGH, SHINY BLACK	N/A	PB6B2HS2M1CAL00S500	2329358-1

THIS DRAWING IS A CONTROLLED DOCUMENT.

DWN: RAVI.S 22FEB2018
 CHK: ALEXANDER SHARPE 22FEB2018
 APVD: ALEXANDER SHARPE 22FEB2018

STE TE Connectivity

NAME: SWITCH, PUSHBUTTON, HIGH CAP NO LED, FLYING LEADS WITH COMMON STRAIN RELIEF, SEALED, OFF-(ON)

SIZE: A2 | CAGE CODE: 00779 | DRAWING NO: C-2329358 | RESTRICTED TO: 2

MATERIAL: - | FINISH: - | WEIGHT: -

CUSTOMER DRAWING | SCALE: 3:2 | SHEET: 2 OF 2 | REV: 2