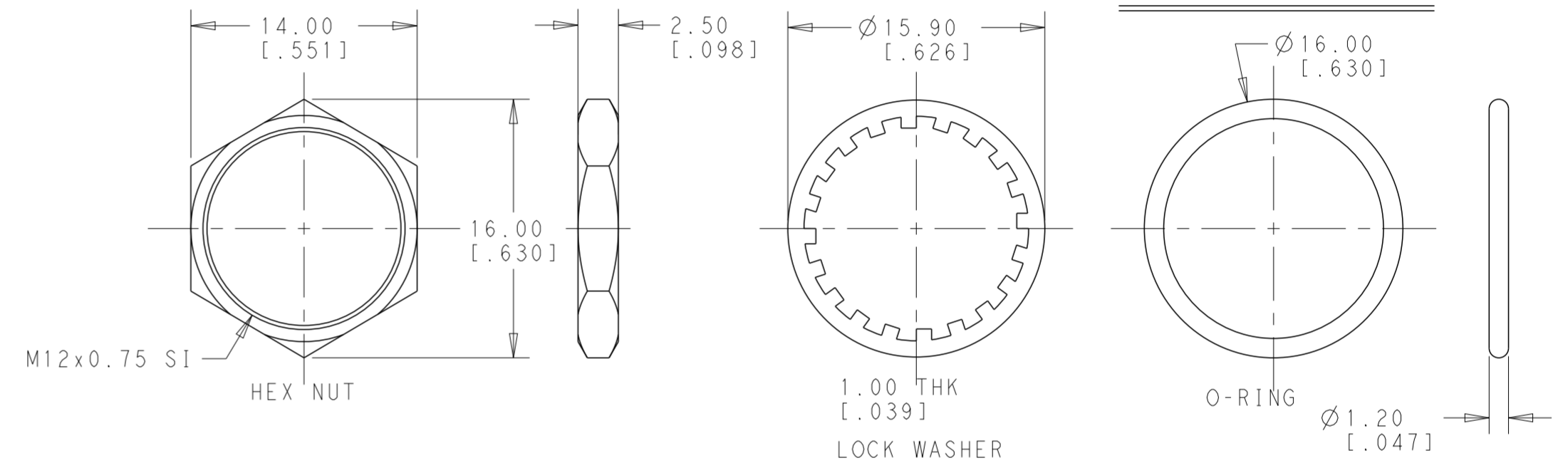
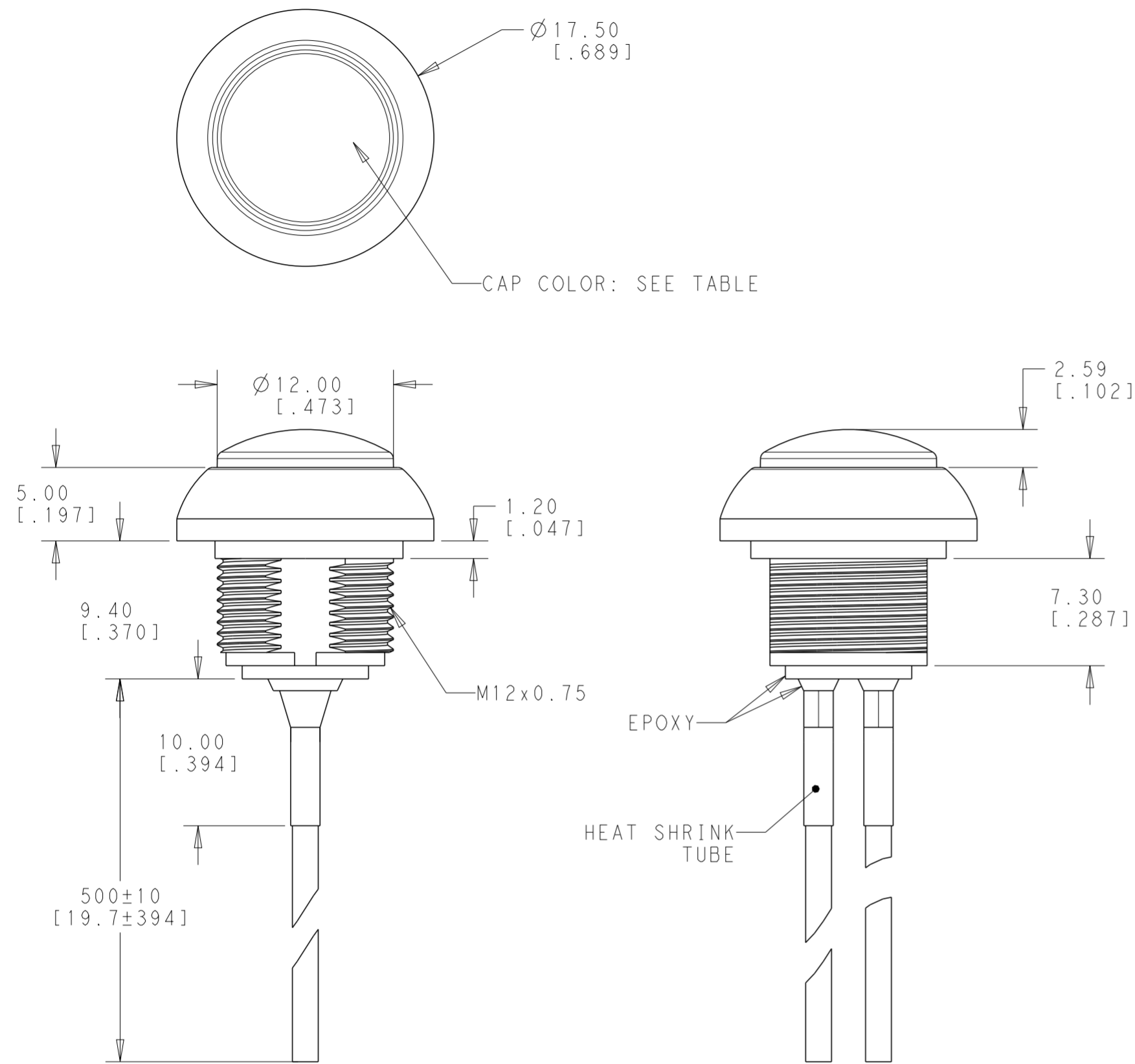


THIS DRAWING IS UNPUBLISHED. RELEASED FOR PUBLICATION  
 © COPYRIGHT copyright.d8te- ALL RIGHTS RESERVED.

REVISIONS				
P	LTR	DESCRIPTION	DATE	APVD
1		NEW DRAWING	22FEB2018	RS AS

### FLYING LEADS OFF - (ON)

Model No.	POS. 1	POS. 2
PB6	OFF	MOM(ON)
CONNECTED TERMINALS	OPEN	CLOSE
SCHEMATIC		



#### SWITCH FUNCTION

#### SPECIFICATIONS:

MAXIMUM CURRENT/VOLTAGE RATING WITH RESISTIVE LOAD:  
 400mA 32VAC, 200mA 50VDC, 125mA 125VAC

INITIAL CONTACT RESISTANCE: 100mΩ MAXIMUM, RESISTANCE OF THE WIRE NOT INCLUDED.

INSULATION RESISTANCE: 1 GΩ MINIMUM AT 500 VDC

DIELECTRIC STRENGTH: 1,500 VAC RMS

CONTACT BOUNCE: 10ms

ELECTRICAL LIFE AT FULL LOAD: 500,000 CYCLES

MECHANICAL LIFE: 1,000,000 CYCLES

TOTAL TRAVEL: 1.5 (.059)

ACTUATION FORCE: 3 TO 6N

OPERATING TEMPERATURE: -30° TO 85° C

DEGREE OF PROTECTION: IP68, 1 HOUR @ 1 METER

TORQUE: 0.5N·m MAXIMUM APPLIED TO NUT

#### MATERIALS:

- CAP: POLYAMIDE 6/6
- PLUNGER: POLYAMIDE 6/6 OR POLYCARBONATE
- RUBBER: SILICONE
- BUSHING: POLYAMIDE 6/6
- CASE: DIALLYL PHTHALATE (DAP) (UL94 V-0)
- TERMINALS/CONTACTS: COPPER ALLOY, GOLD OVER SILVER PLATED
- HEX NUT: BRASS, NICKEL PLATED (1)
- LOCK WASHER: BRASS, NICKEL PLATED (1)
- O-RING: SILICONE (1)
- WIRE: UL 3385, 20 AWG, SECTION 0.6mm<sup>2</sup>
- SPRING: STEEL
- HEAT SHRINK TUBE: POLYOLEFIN

#### PACKAGING:

SWITCHES ARE BUNDLED. HARDWARE IS NOT ASSEMBLED TO THE SWITCH.

#### COMPLIANCE:

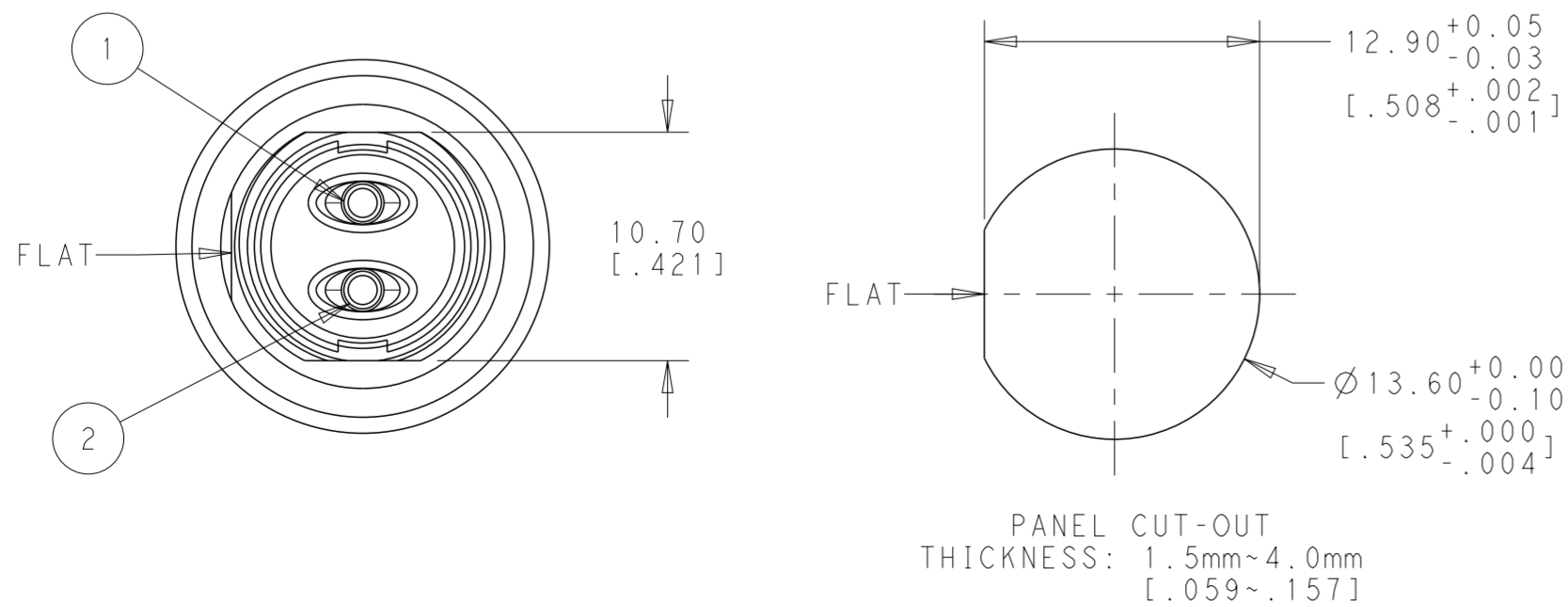
ALL MATERIALS AND FINISHES SHALL COMPLY WITH EU DIRECTIVE 2002/95/EC OF 27JAN2003(RoHS)

#### SOLDER PROCESSING:

MANUAL SOLDERING: SOLDER IRON, 30 WATTS, CONTROLLED AT 350° C, APPROXIMATELY 5 SECONDS WHILE APPLYING SOLDER.

1. HARDWARE IS SHIPPED UNASSEMBLED.

NO.	DESCRIPTION	WIRE COLOR
2	TERMINAL 2	BLACK
1	TERMINAL 1	BLACK

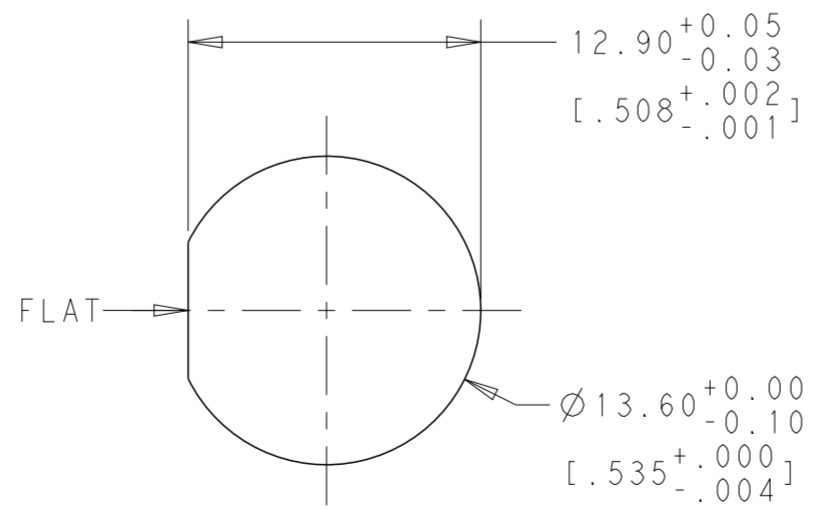
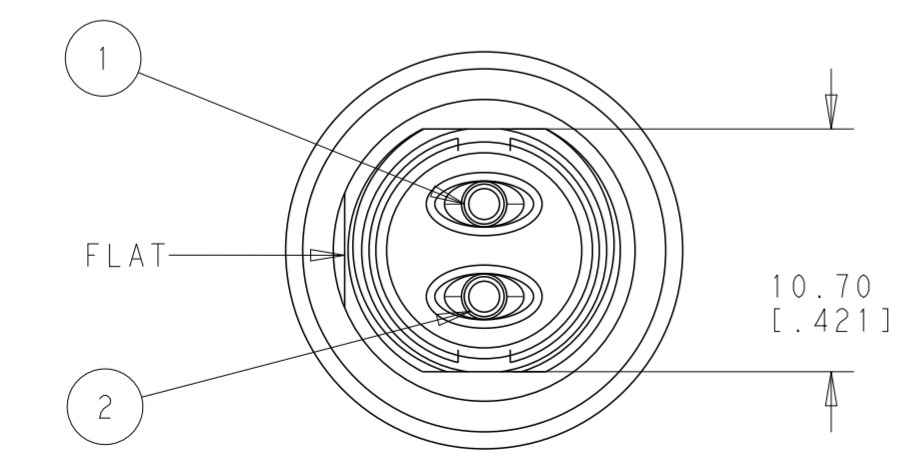
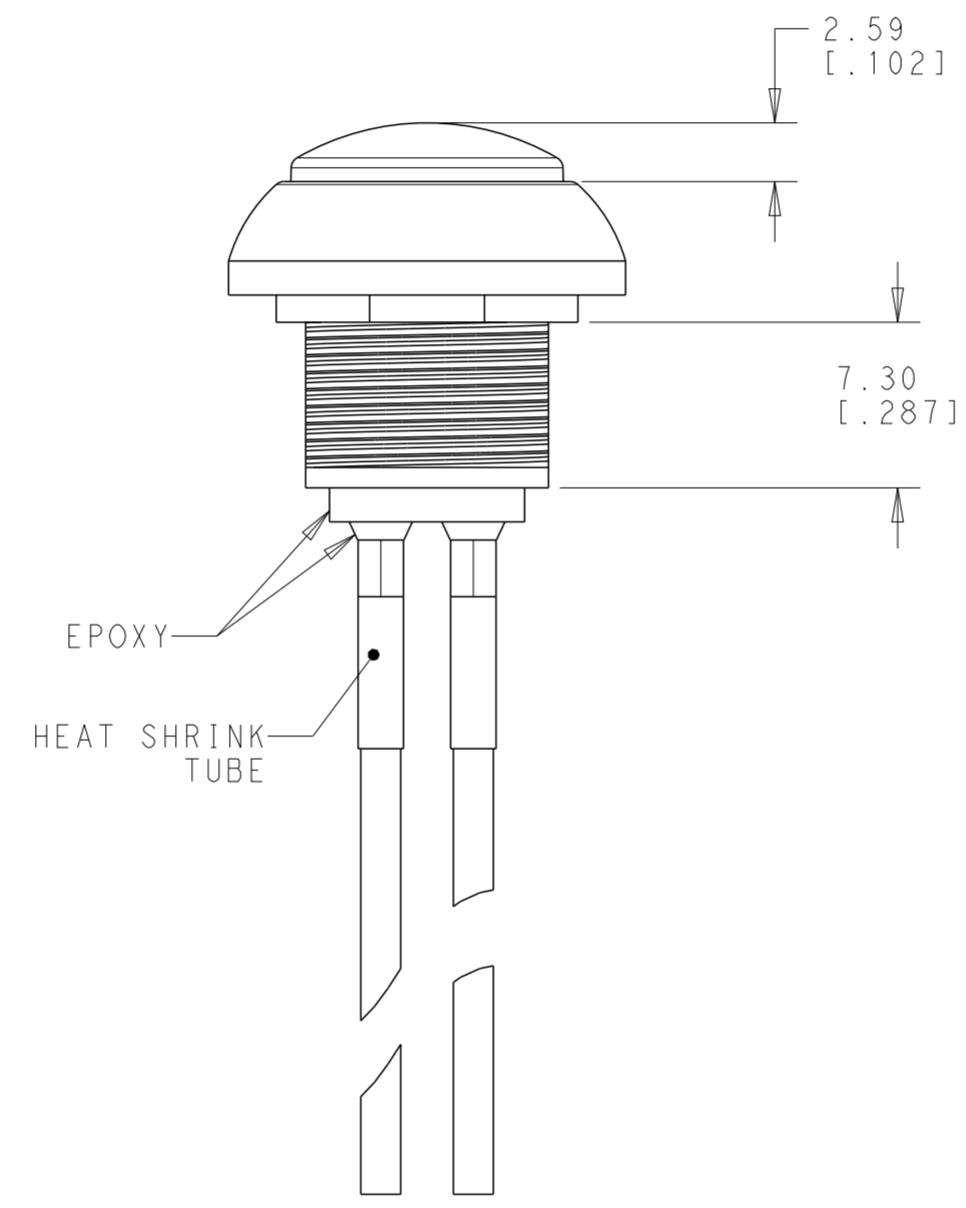
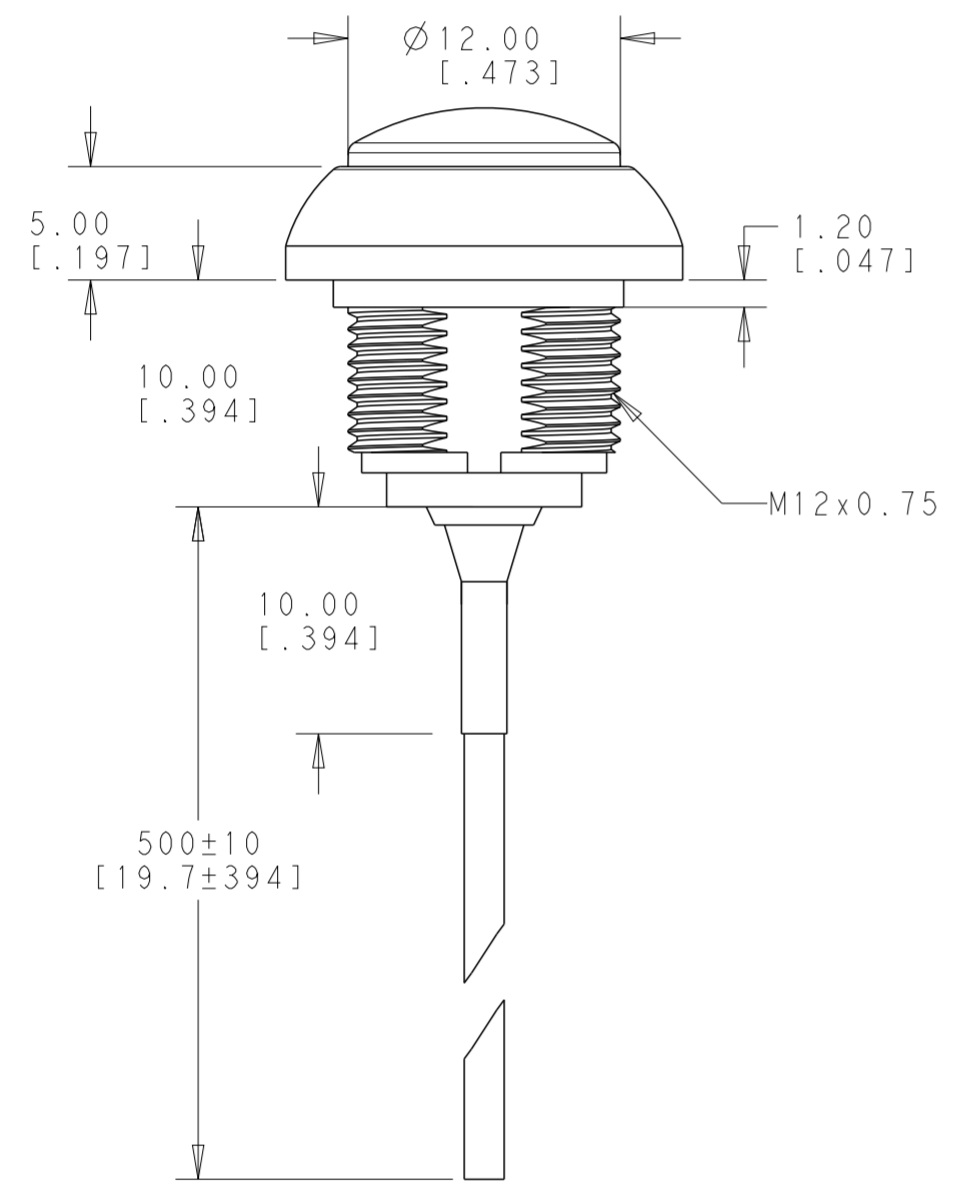
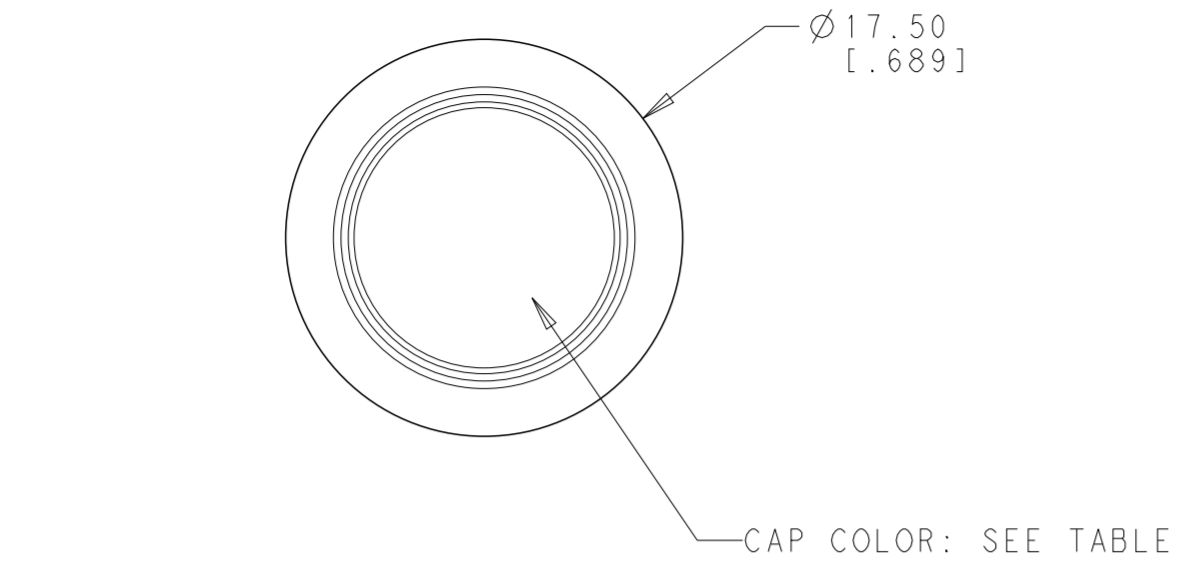


THIS DRAWING IS A CONTROLLED DOCUMENT.		DWN: RAVLS 22FEB2018	TE Connectivity	
DIMENSIONS: mm [INCHES]		CHK: ALEXANDER SHARPE 22FEB2018		
TOLERANCES UNLESS OTHERWISE SPECIFIED:		APVD: ALEXANDER SHARPE 22FEB2018	NAME: SWITCH, PUSHBUTTON, ROUND CAP NO LED, FLYING LEADS WITH HEAT SHRINK, SEALED, OFF-(ON) AND ON-(OFF)	
0 PLC ±	±0.4 [0.16]	PRODUCT SPEC	SIZE	CAGE CODE
1 PLC ±0.25 [0.10]		APPLICATION SPEC	A200779	C-2329362
2 PLC ±		WEIGHT	SCALE	SHEET
3 PLC ±		CUSTOMER DRAWING	3:2	1 OF 3
4 PLC ±	±5°			REV 1
ANGLES				
FINISH				

THIS DRAWING IS UNPUBLISHED. RELEASED FOR PUBLICATION  
 © COPYRIGHT copyright.d8te- ALL RIGHTS RESERVED.

REVISIONS				
P	LTR	DESCRIPTION	DATE	APVD
-	-	SEE SHEET 1	-	-

FLYING LEADS  
ON-(OFF)



PANEL CUT-OUT  
THICKNESS: 1.5mm~4.0mm  
[0.059~0.157]

Model No.	POS. 1	POS. 2
PB7	ON	MOM(OFF)
CONNECTED TERMINALS	CLOSE	OPEN
SCHEMATIC		

SWITCH FUNCTION

NO.	DESCRIPTION	WIRE COLOR
2	TERMINAL 2	BLACK
1	TERMINAL 1	BLACK

THIS DRAWING IS A CONTROLLED DOCUMENT.

DWN	RAVLS	22FEB2018
CHK	ALEXANDER SHARPE	22FEB2018
APVD	ALEXANDER SHARPE	22FEB2018

NAME: ALEXANDER SHARPE

PRODUCT SPEC: -

APPLICATION SPEC: -

WEIGHT: -

CUSTOMER DRAWING

SCALE: 3:2 SHEET 2 OF 3 REV 1

STE TE Connectivity


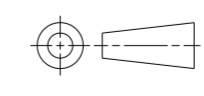
SWITCH, PUSHBUTTON, ROUND CAP NO LED, FLYING LEADS WITH HEAT SHRINK, SEALED, OFF-(ON) AND ON-(OFF)

SIZE: A2 CAGE CODE: 00779 DRAWING NO: C-2329362 RESTRICTED TO: -

THIS DRAWING IS UNPUBLISHED. RELEASED FOR PUBLICATION  
 © COPYRIGHT copyright.dBte ALL RIGHTS RESERVED.

REVISIONS				
P	LTR	DESCRIPTION	DATE	APVD
-	-	SEE SHEET 1	-	-

POLE	THROW	TERMINAL TYPE	CAP TYPE & COLOR	LED COLOR	TE DESCRIPTIVE PART NUMBER	PART NUMBER
SINGLE POLE	ON-(OFF) MOMENTARY	FLYING LEADS WITH HEAT SHRINK TUBE	ROUND, SHINY BLUE	N/A	PB7B2RS7MICAL00Y500	1-2329362-0
			ROUND, SHINY GREEN	N/A	PB7B2RS6MICAL00Y500	2329362-9
			ROUND, SHINY YELLOW	N/A	PB7B2RS5MICAL00Y500	2329362-8
			ROUND, SHINY RED	N/A	PB7B2RS3MICAL00Y500	2329362-7
			ROUND, SHINY BLACK	N/A	PB7B2RS2MICAL00Y500	2329362-6
			ROUND, SHINY BLUE	N/A	PB6B2RS7MICAL00Y500	2329362-5
	OFF-(ON) MOMENTARY		ROUND, SHINY GREEN	N/A	PB6B2RS6MICAL00Y500	2329362-4
			ROUND, SHINY YELLOW	N/A	PB6B2RS5MICAL00Y500	2329362-3
			ROUND, SHINY RED	N/A	PB6B2RS3MICAL00Y500	2329362-2
			ROUND, SHINY BLACK	N/A	PB6B2RS2MICAL00Y500	2329362-1

THIS DRAWING IS A CONTROLLED DOCUMENT.		DWN RAVLS 22FEB2018	 TE Connectivity	
DIMENSIONS: mm [INCHES]		CHK ALEXANDER SHARPE 22FEB2018		
		APVD ALEXANDER SHARPE 22FEB2018		
TOLERANCES UNLESS OTHERWISE SPECIFIED:		PRODUCT SPEC	NAME SWITCH, PUSHBUTTON, ROUND CAP NO LED, FLYING LEADS WITH HEAT SHRINK, SEALED, OFF-(ON) AND ON-(OFF)	
0 PLC ±		APPLICATION SPEC	SIZE	RESTRICTED TO
1 PLC ±0.4 [.016]		WEIGHT	A200779	
2 PLC ±0.25 [.010]		CUSTOMER DRAWING	CAGE CODE	DRAWING NO
3 PLC ±		SCALE 3:2	G-2329362	SHEET 3 OF 3
4 PLC ±		SCALE 3:2	REV 1	
ANGLES ±5°				
FINISH				