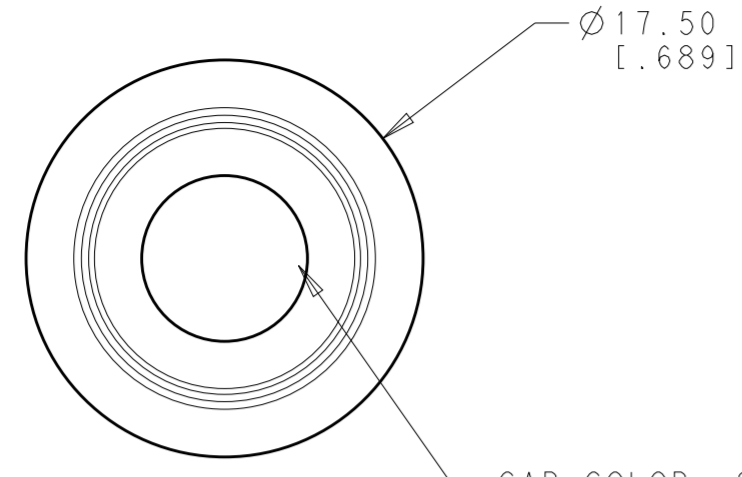


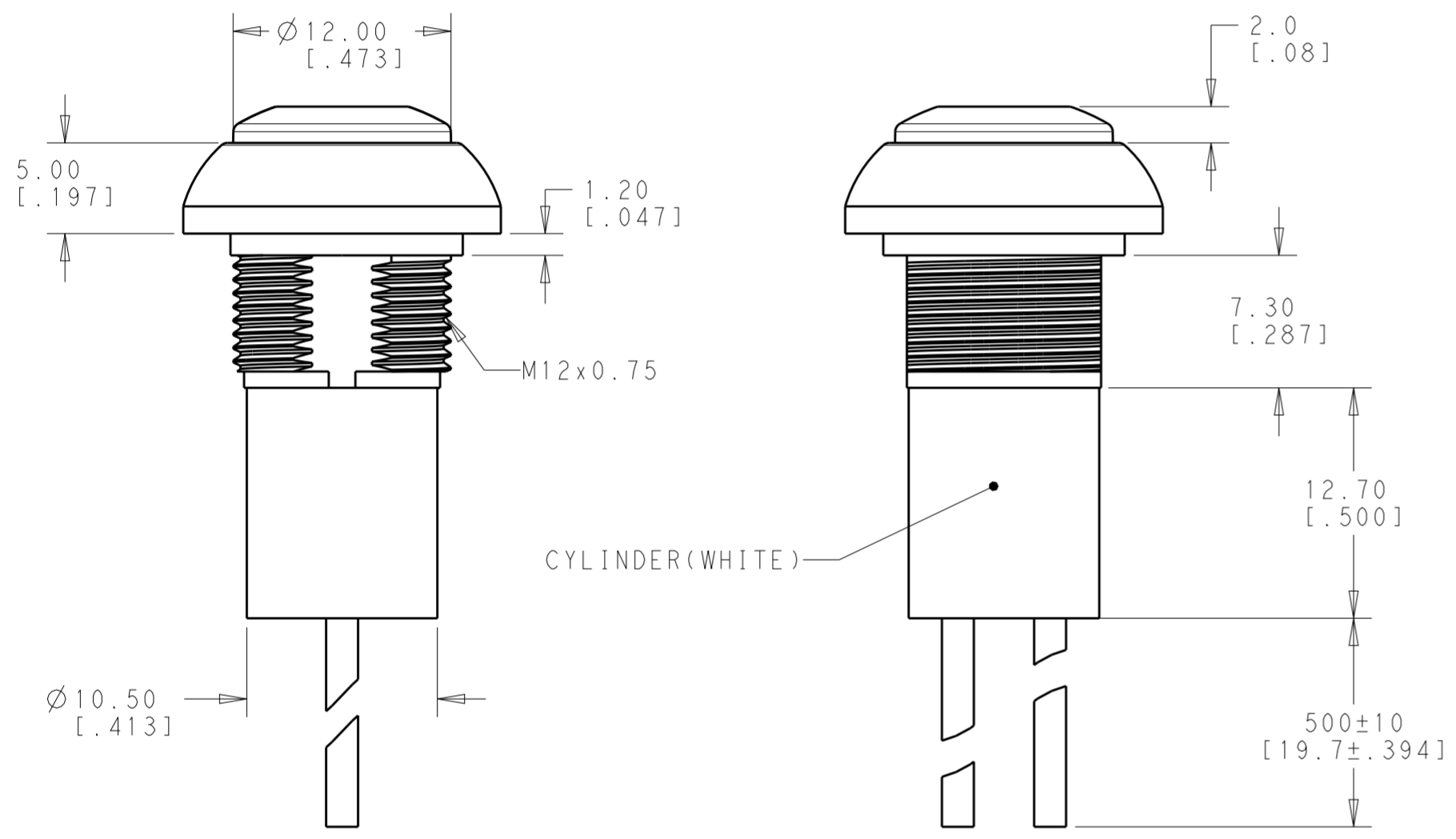
THIS DRAWING IS UNPUBLISHED. RELEASED FOR PUBLICATION  
 © COPYRIGHT copyright.d8te- ALL RIGHTS RESERVED.

REVISIONS				
P	LTR	DESCRIPTION	DATE	APVD
2		REVISED TOLERANCE	20APR2018	JS AS

### FLYING LEADS WITH COMMON STRAIN RELIEF OFF-(ON)



CAP COLOR: SEE TABLE



Model No.	POS. 1	POS. 2
PB6	OFF	MOM(ON)
CONNECTED TERMINALS	OPEN	CLOSE
SCHEMATIC		

#### SWITCH FUNCTION

#### SPECIFICATIONS:

MAXIMUM CURRENT/VOLTAGE RATING WITH RESISTIVE LOAD:  
 400mA 32VAC, 200mA 50VDC, 125mA 125VAC  
 INITIAL CONTACT RESISTANCE: 100mΩ MAXIMUM, RESISTANCE OF THE WIRE NOT INCLUDED.  
 INSULATION RESISTANCE: 1 GΩ MINIMUM AT 500 VDC  
 DIELECTRIC STRENGTH: 1,500 VAC RMS  
 CONTACT BOUNCE: 10ms  
 ELECTRICAL LIFE AT FULL LOAD: 500,000 CYCLES  
 MECHANICAL LIFE: 1,000,000 CYCLES  
 TOTAL TRAVEL: 1.5 (.059)  
 ACTUATION FORCE: 3 TO 6N  
 OPERATING TEMPERATURE: -30° TO 85° C  
 DEGREE OF PROTECTION: IP68, 1 HOUR @ 1 METER  
 TORQUE: 0.5N\*m MAXIMUM APPLIED TO NUT

#### MATERIALS:

CAP: POLYAMIDE 6/6  
 PLUNGER: POLYAMIDE 6/6 OR POLYCARBONATE  
 RUBBER: SILICONE  
 BUSHING: POLYAMIDE 6/6  
 CASE: DIALLYL PHTHALATE (DAP) (UL94 V-0)  
 TERMINALS/CONTACTS: COPPER ALLOY, GOLD OVER SILVER PLATED  
 HEX NUT: BRASS, NICKEL PLATED (1)  
 LOCK WASHER: BRASS, NICKEL PLATED (1)  
 O-RING: SILICONE (1)  
 WIRE: UL 3385, AWG 20, SECTION 0.6mm<sup>2</sup>  
 SPRING: STEEL  
 CYLINDER: PTFE

#### PACKAGING:

SWITCHES ARE BUNDLED. HARDWARE IS NOT ASSEMBLED TO THE SWITCH.

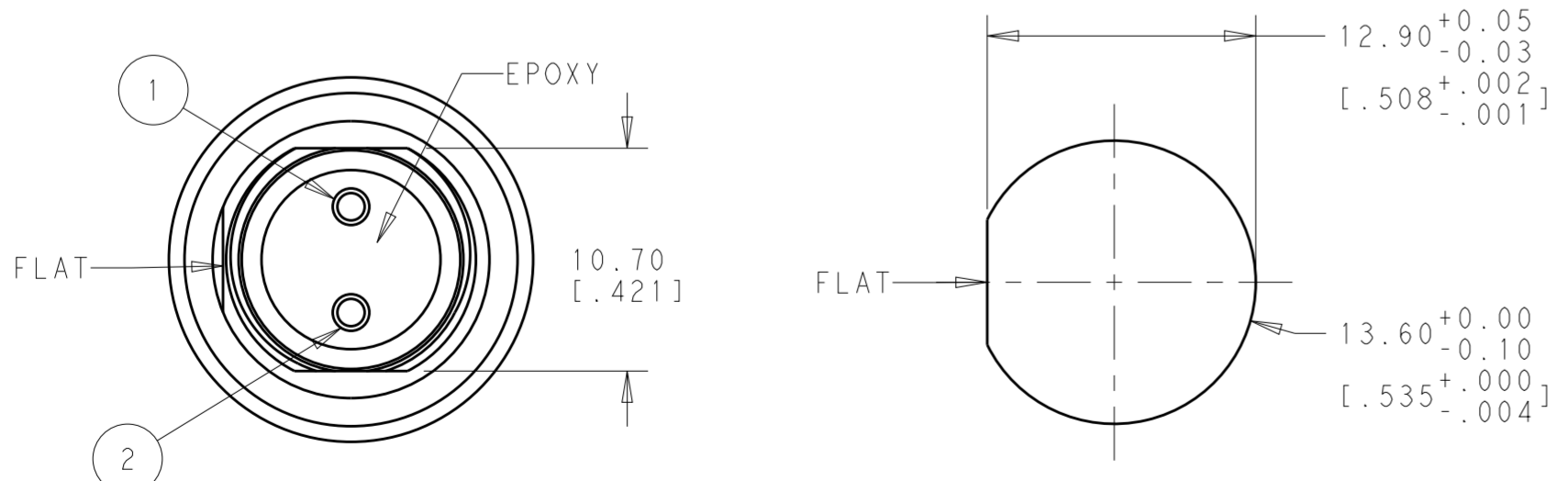
#### COMPLIANCE:

ALL MATERIALS AND FINISHES SHALL COMPLY WITH EU DIRECTIVE 2002/95/EC OF 27JAN2003(RoHS)

#### SOLDER PROCESSING:

MANUAL SOLDERING: SOLDER IRON, 30 WATTS, CONTROLLED AT 350° C, APPROXIMATELY 5 SECONDS WHILE APPLYING SOLDER.

1. HARDWARE IS SHIPPED UNASSEMBLED.



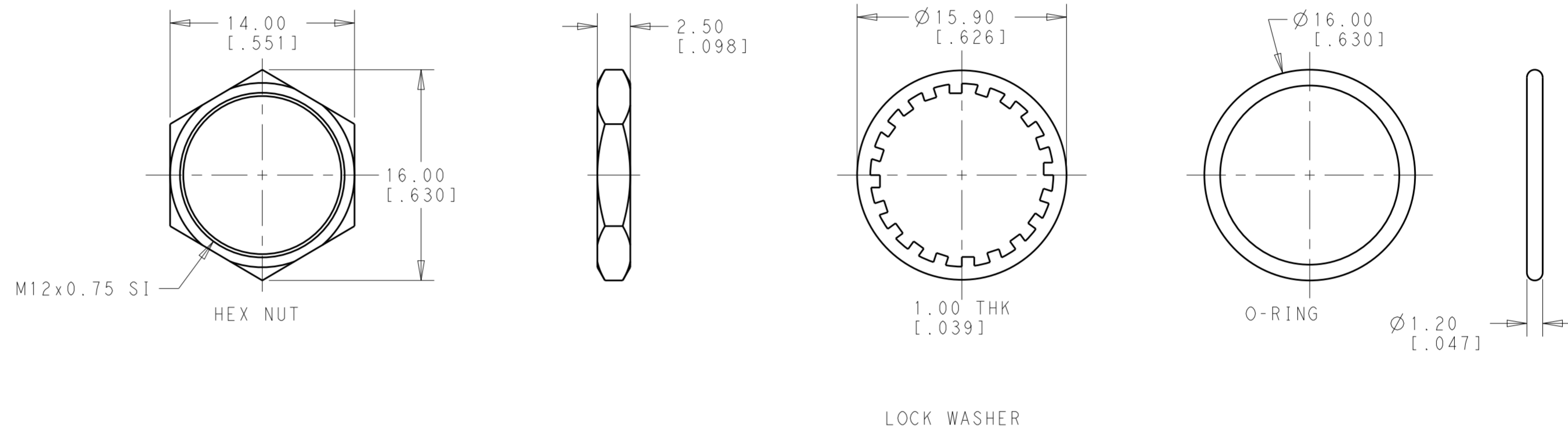
PANEL CUT-OUT THICKNESS: 1.5mm~4.0mm [.059~.157]

NO.	DESCRIPTION	WIRE COLOR
2	TERMINAL 2	BLACK
1	TERMINAL 1	BLACK

THIS DRAWING IS A CONTROLLED DOCUMENT.		DWN: RAVLS 22FEB2018	TE Connectivity
DIMENSIONS: mm[INCHES]		CHK: ALEXANDER SHARPE 22FEB2018	
TOLERANCES UNLESS OTHERWISE SPECIFIED:		APVD: ALEXANDER SHARPE 22FEB2018	
0 PLC ± 1 PLC ±0.4[.016] 2 PLC ±0.25[.010] 3 PLC ± 4 PLC ± ANGLES ±5° FINISH -		NAME: SWITCH, PUSHBUTTON, FLAT CAP NO LED, FLYING LEADS WITH COMMON STRAIN RELIEF, SEALED, OFF-(ON) PRODUCT SPEC - APPLICATION SPEC - WEIGHT - CUSTOMER DRAWING	
MATERIAL -		SIZE: A200779	CAGE CODE: C-2329384
		SCALE: 3:2	SHEET: 1 OF 2
			REV: 2

THIS DRAWING IS UNPUBLISHED. RELEASED FOR PUBLICATION  
 © COPYRIGHT copyright.d8te- ALL RIGHTS RESERVED.

REVISIONS				
P	LTR	DESCRIPTION	DATE	APVD
-		SEE SHEET 1	-	-



POLE	THROW	TERMINAL TYPE	CAP TYPE & COLOR	LED COLOR	TE DESCRIPTIVE PART NUMBER	PART NUMBER
SINGLE POLE	OFF-(ON) MOMENTARY	FLYING LEADS WITH COMMON STRAIN RELIEF	FLAT, MATTE BLUE	N/A	PB6B2FM7M1CAL00S500	2329384-5
			FLAT, MATTE GREEN	N/A	PB6B2FM6M1CAL00S500	2329384-4
			FLAT, MATTE YELLOW	N/A	PB6B2FM5M1CAL00S500	2329384-3
			FLAT, MATTE RED	N/A	PB6B2FM3M1CAL00S500	2329384-2
			FLAT, MATTE BLACK	N/A	PB6B2FM2M1CAL00S500	2329384-1

THIS DRAWING IS A CONTROLLED DOCUMENT.

DWN: RAVLS 22FEB2018  
 CHK: ALEXANDER SHARPE 22FEB2018  
 APVD: ALEXANDER SHARPE 22FEB2018

**STE** TE Connectivity

NAME: SWITCH, PUSHBUTTON, FLAT CAP NO LED, FLYING LEADS WITH COMMON STRAIN RELIEF, SEALED, OFF-(ON)

SIZE: A2 CAGE CODE: 00779 DRAWING NO: C-2329384 RESTRICTED TO: 2

MATERIAL: - FINISH: - WEIGHT: -

CUSTOMER DRAWING SCALE: 3:2 SHEET: 2 OF 2 REV: 2