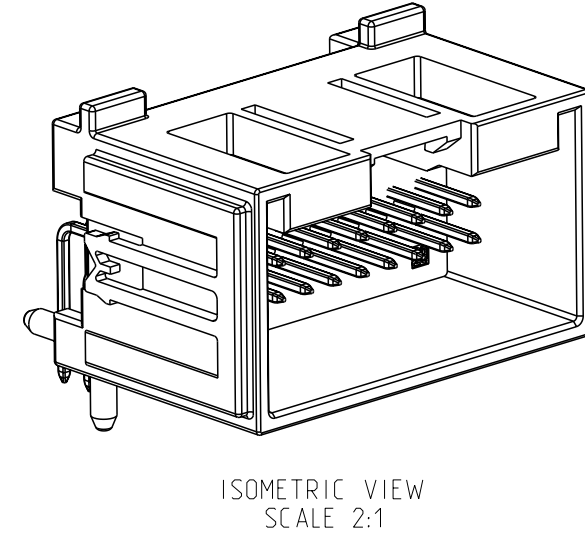
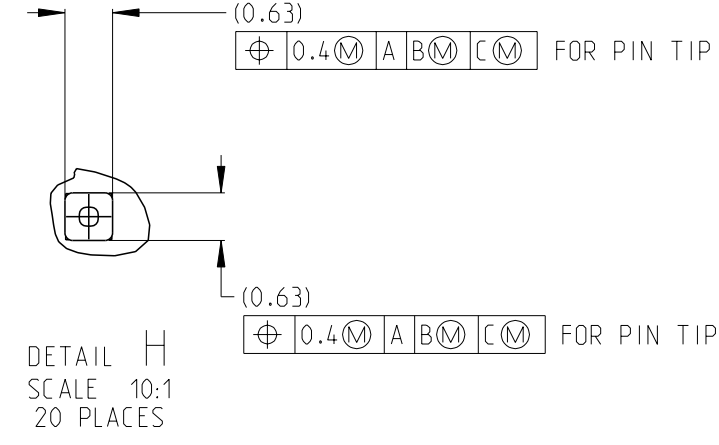
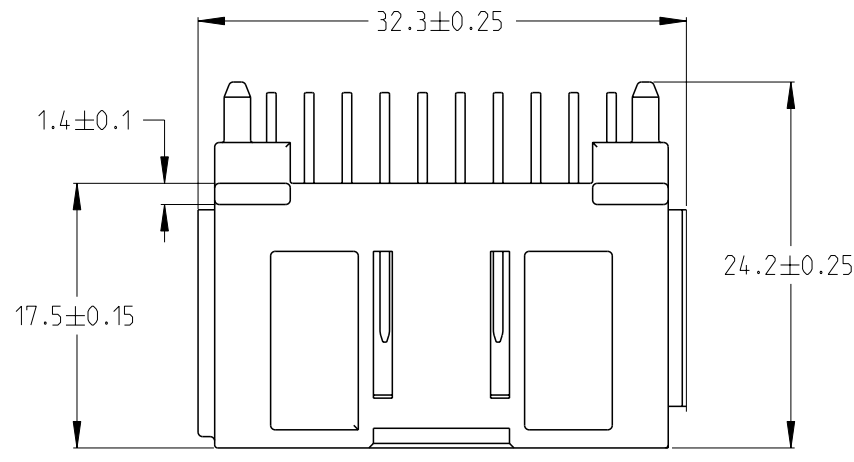
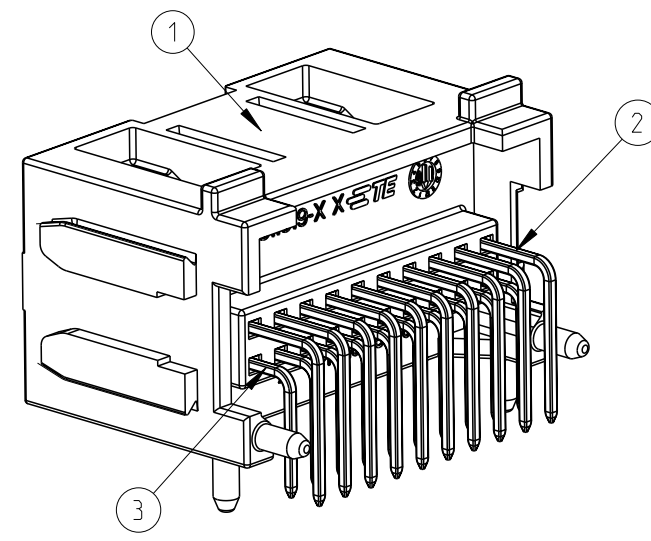
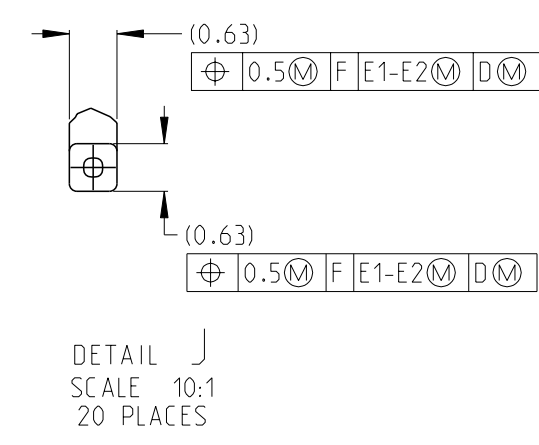
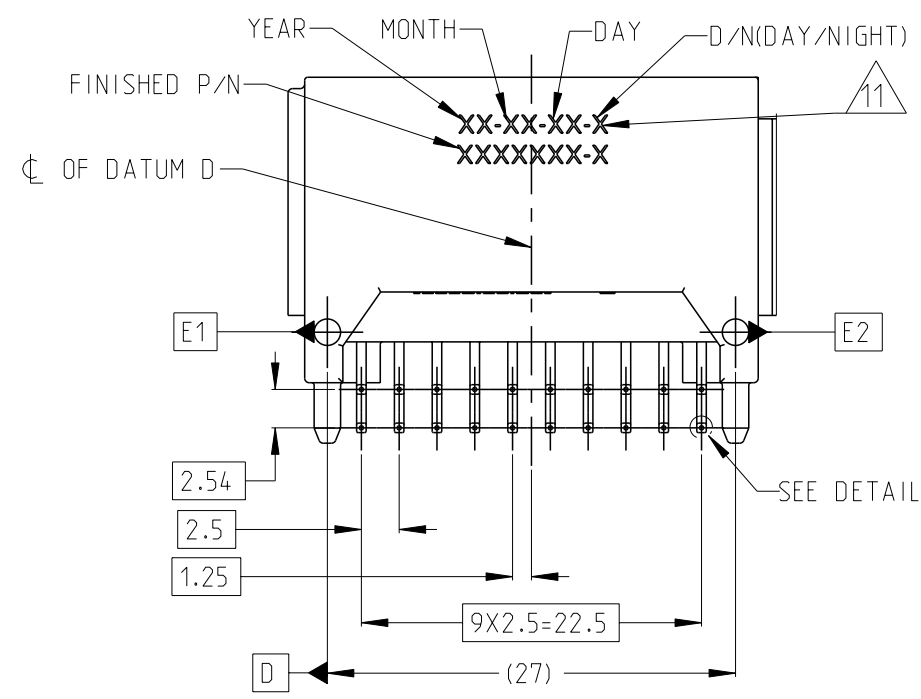
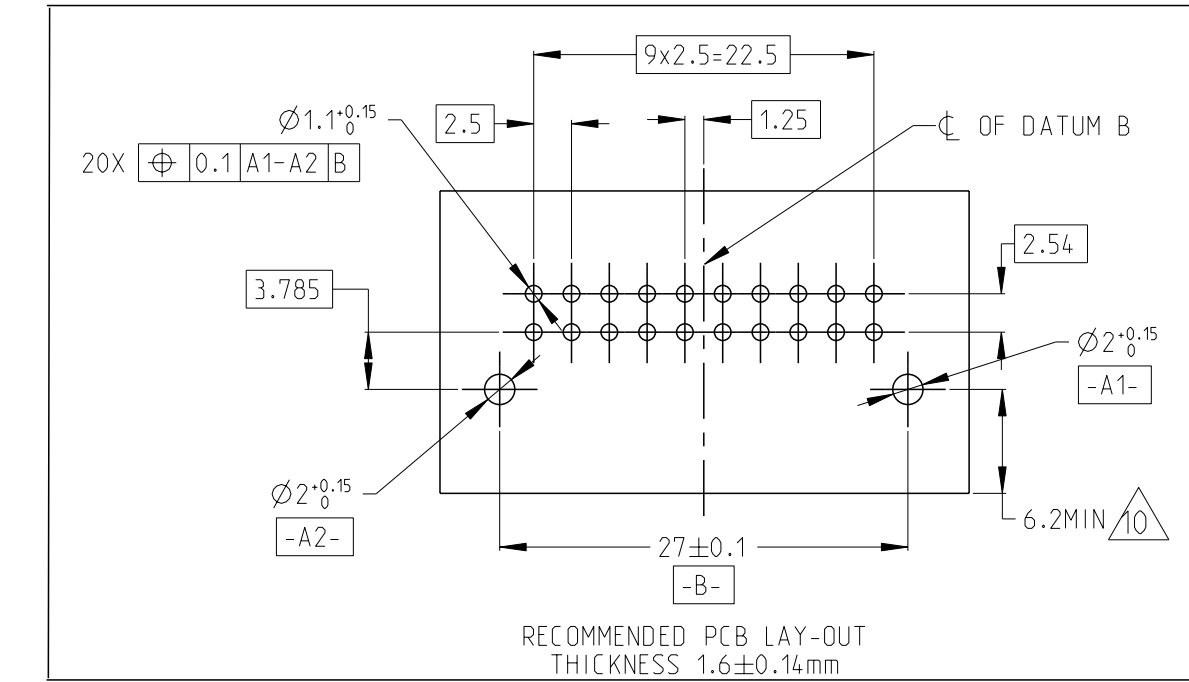
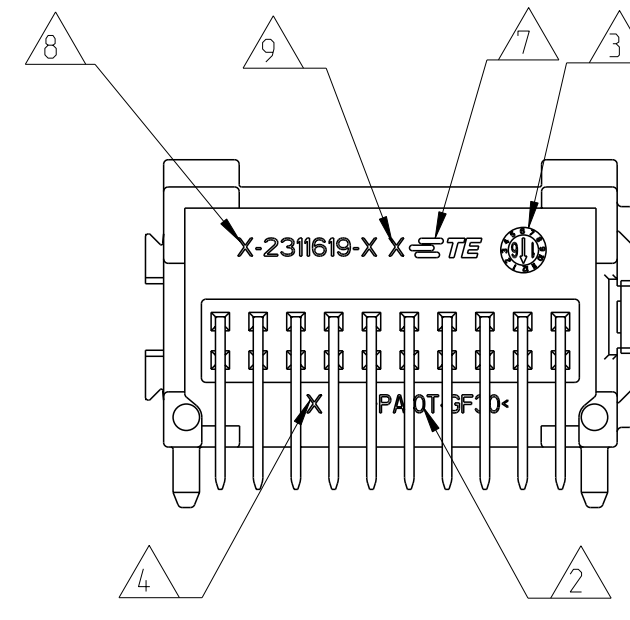
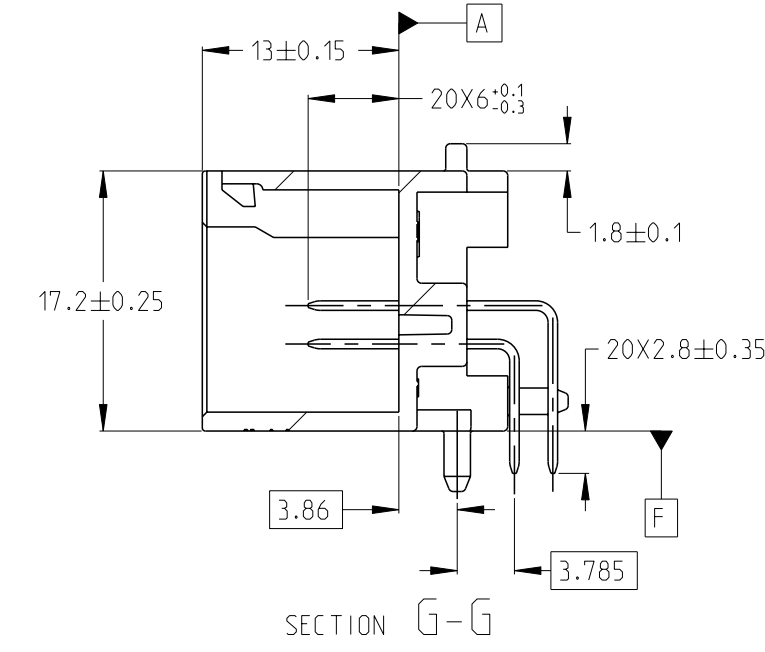
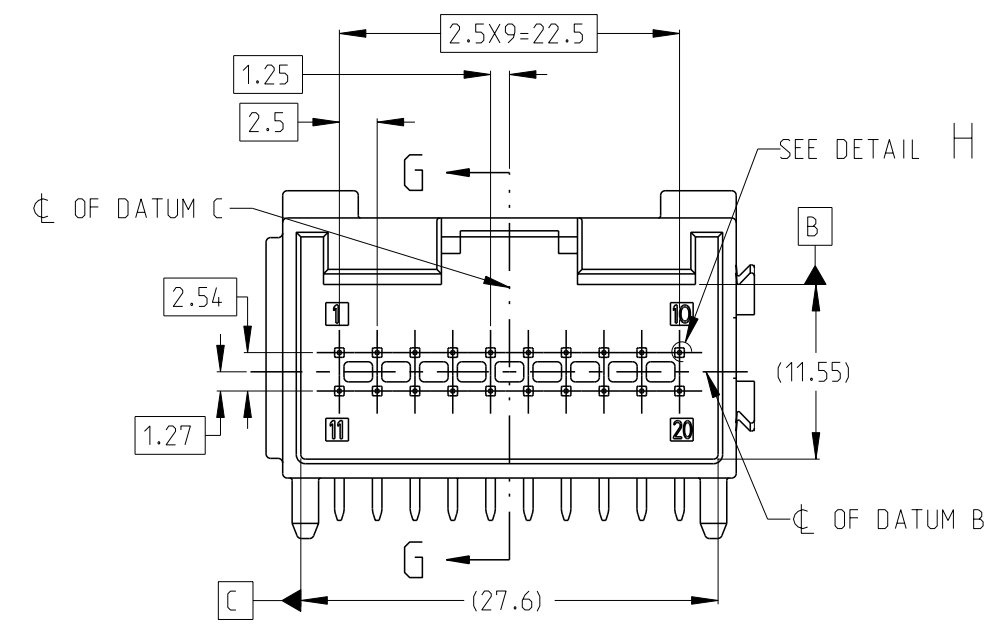


THIS DRAWING IS UNPUBLISHED. RELEASED FOR PUBLICATION 20  
 © COPYRIGHT 20 BY - ALL RIGHTS RESERVED.

REVISIONS					
P	LTR	DESCRIPTION	DATE	DWN	APVD
A		RELEASE	07FEB18	K.W	I.Y
A1		ECR-21-005828	27MAY21	H.S	J.Z

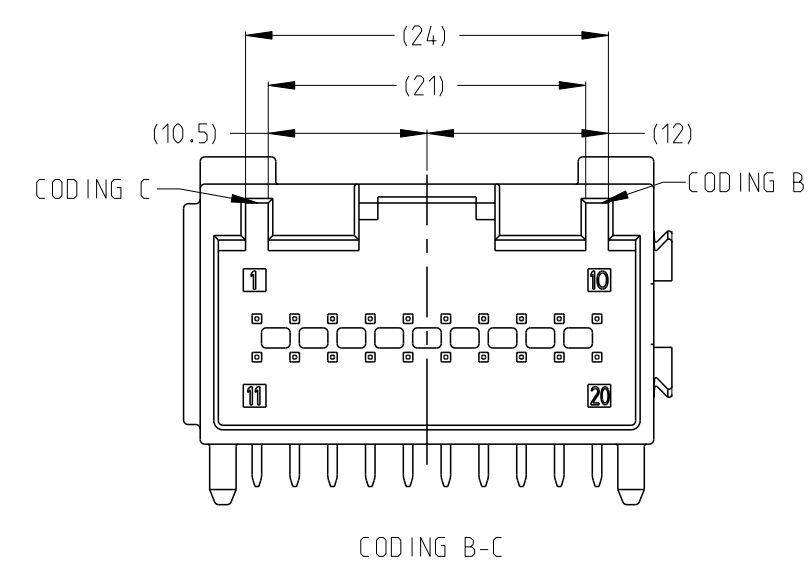
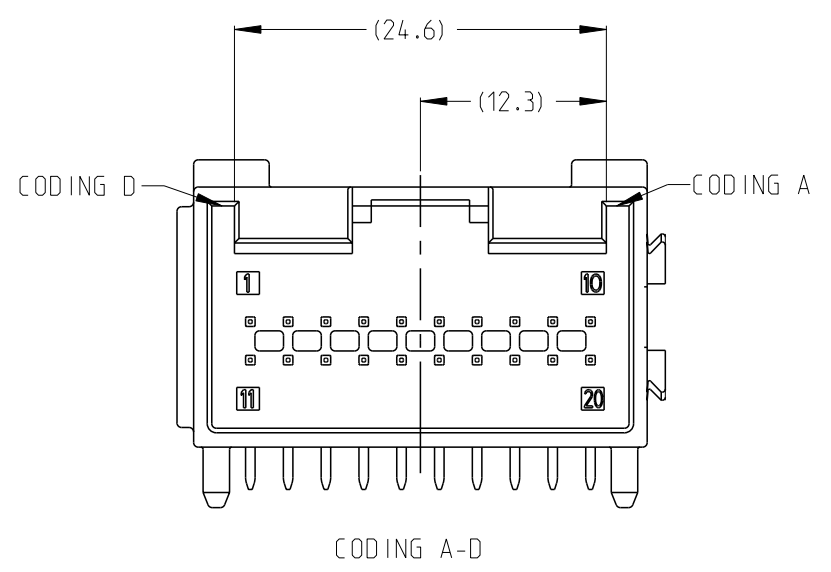


- 1 PLASTIC MATERIAL: PA10T OR SPS  
SQ PIN MATERIAL: CuZn30  
PLATING SPEC: TIN OVER NICKEL
- 2 MATERIAL MARKING
- 3 PLASTIC HOUSING PRODUCTION MONTH CLOCK
- 4 TOOL CAVITY MARKING 1,2,3,4...
- 5. PRODUCT OPERATION TEMPERATURE RANGE:-40°C~105°C
- 6. SUITABLE MATING CONNECTOR: \*-2329592-\*
- 7 TE-LOGO
- 8 TE SEMIFINISHED PART NUMBER
- 9 TE SEMIFINISHED PART REVISION
- 10 PRODUCT STABILIZATION FOR SOLDERING PROCESS
- 11 PRODUCT ASSEMBLY DATA INFORMATION
- 12. PLUG TO HEADER MATING/UM-MATING FORCE 90N MAX



TE P/N	CODING	PACKAGE	QTY	DESCRIPTION	MATERIAL	COLOR/FINISH	ITEM NO	
A1	2-2329531-1	A-D	REEL: Ø380*56	10	0.63 SQ PIN	CuZn30	Sn OVER Ni	3
				10	0.63 SQ PIN	CuZn30	Sn OVER Ni	2
A1	1-2329531-1	A-D	TRAY:340*210*30.5	1	20 WAY HOUSING	PA10T OR SPS	BLACK	1
				10	0.63 SQ PIN	CuZn30	Sn OVER Ni	3
	2329531-4	B-D	TRAY:375*275*30.5	1	20 WAY HOUSING	PA10T OR SPS	BLACK	1
				10	0.63 SQ PIN	CuZn30	Sn OVER Ni	3
	2329531-3	A-C	TRAY:375*275*30.5	10	0.63 SQ PIN	CuZn30	Sn OVER Ni	2
				1	20 WAY HOUSING	PA10T OR SPS	GREEN	1
	2329531-2	B-C	TRAY:375*275*30.5	10	0.63 SQ PIN	CuZn30	Sn OVER Ni	3
				1	20 WAY HOUSING	PA10T OR SPS	BROWN	1
	2329531-1	A-D	TRAY:375*275*30.5	10	0.63 SQ PIN	CuZn30	Sn OVER Ni	3
				10	0.63 SQ PIN	CuZn30	Sn OVER Ni	2
			1	20 WAY HOUSING	PA10T OR SPS	BLACK	1	

20 WAY CODINGS



THIS DRAWING IS A CONTROLLED DOCUMENT. DWN: K.WEI 03JAN2018  
 CHK: W.WU 01FEB2018  
 APVD: J.LIN 07FEB2018

TE Connectivity  
**STE**  
 NAME: 20 WAY MDS PIN HEADER

PRODUCT SPEC: 108-101528  
 APPLICATION SPEC: 114-101065

MATERIAL: 1  
 DIMENSIONS: mm  
 TOLERANCES UNLESS OTHERWISE SPECIFIED:  
 0-PLC ±  
 1-PLC ±0.1  
 2-PLC ±0.01  
 3-PLC ±0.001  
 4-PLC ±0.0001  
 ANGLES ±  
 FINISH -

SCALE: 2:1  
 SHEET: 1 OF 1  
 REV: A1

Printed on 27 May 2021 16:36 (China Standard Time) from TE375692