

THIS DRAWING IS UNPUBLISHED.

RELEASED FOR PUBLICATION

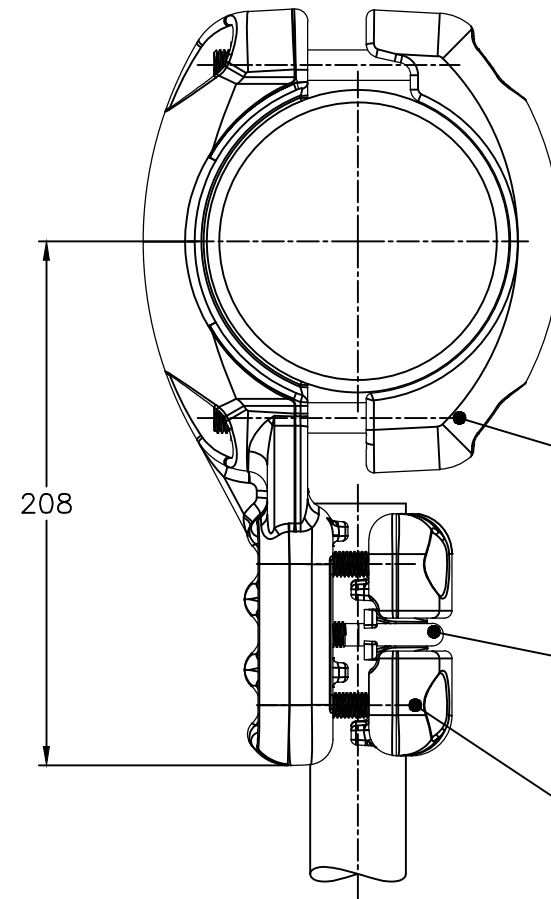
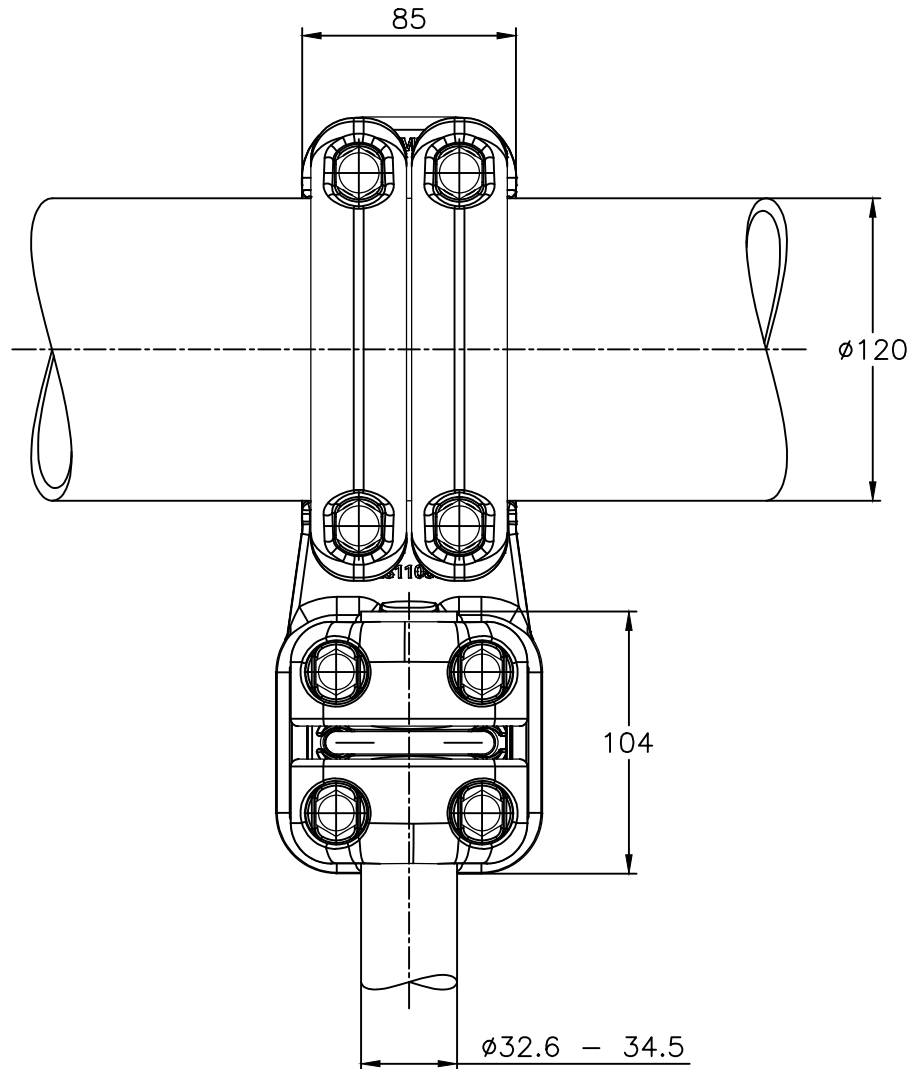
-. - .

REVISIONS

© COPYRIGHT - By -

ALL RIGHTS RESERVED.

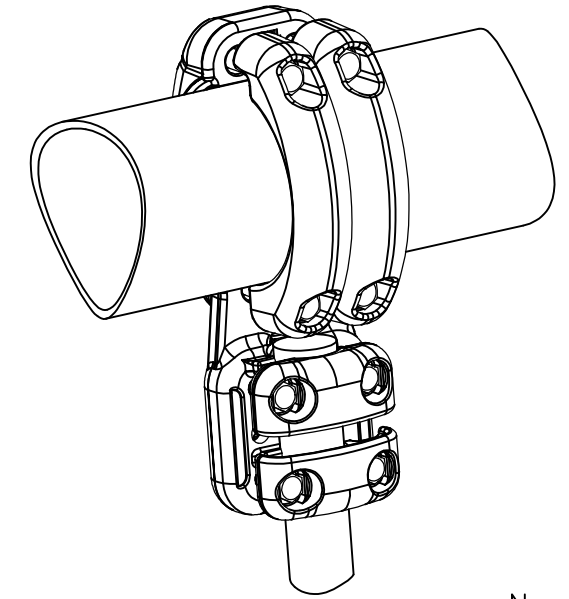
P	LTR	DESCRIPTION	DATE	DWN	APVD
	A	CREATION	17-JAN-18	BH	-



M12 Bolts stainless steel A4: 60Nm
 Boulons M12 acier inoxydable A4: 60Nm


M10 stainless steel U-Bolt A4: 37Nm
 Etrier M10 acier inoxydable A4: 37Nm

M10 Bolts stainless steel A4: 37Nm
 Boulons M10 acier inoxydable A4: 37Nm



No scale
 Sans échelle

ITEM:.....

THIS DRAWING IS A CONTROLLED DOCUMENT.		DWN	HUARD	17-JAN-18	 TE Connectivity																			
DIMENSIONS: mm		CHK	-	-				NAME SINGLE TEE CONNECTOR RACCORD EN TE 5 MT 84 T120 MR345																
TOLERANCES UNLESS OTHERWISE SPECIFIED:		APVD	-	-	PRODUCT SPEC 108-69096-001 APPLICATION SPEC -																			
<table border="0"> <tr><td>0 PLC</td><td>± -</td></tr> <tr><td>1 PLC</td><td>± -</td></tr> <tr><td>2 PLC</td><td>± -</td></tr> <tr><td>3 PLC</td><td>± -</td></tr> <tr><td>4 PLC</td><td>± -</td></tr> <tr><td>ANGLES</td><td>± -</td></tr> </table>		0 PLC	± -	1 PLC				± -	2 PLC	± -	3 PLC	± -	4 PLC	± -	ANGLES	± -	APPROX.WEIGHT		3.4 kg	SIZE	A3	CAGE CODE	00779	DRAWING NO
0 PLC	± -																							
1 PLC	± -																							
2 PLC	± -																							
3 PLC	± -																							
4 PLC	± -																							
ANGLES	± -																							
MATERIAL		FINISH		-	CUSTOMER DRAWING			SCALE	1:3	SHEET	1 OF 1	REV	A											