

THIS DRAWING IS UNPUBLISHED.

RELEASED FOR PUBLICATION

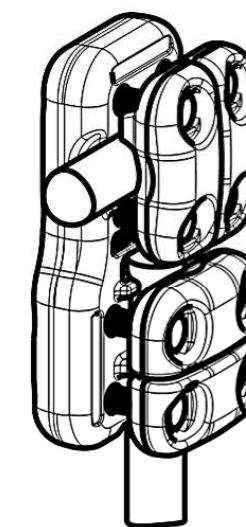
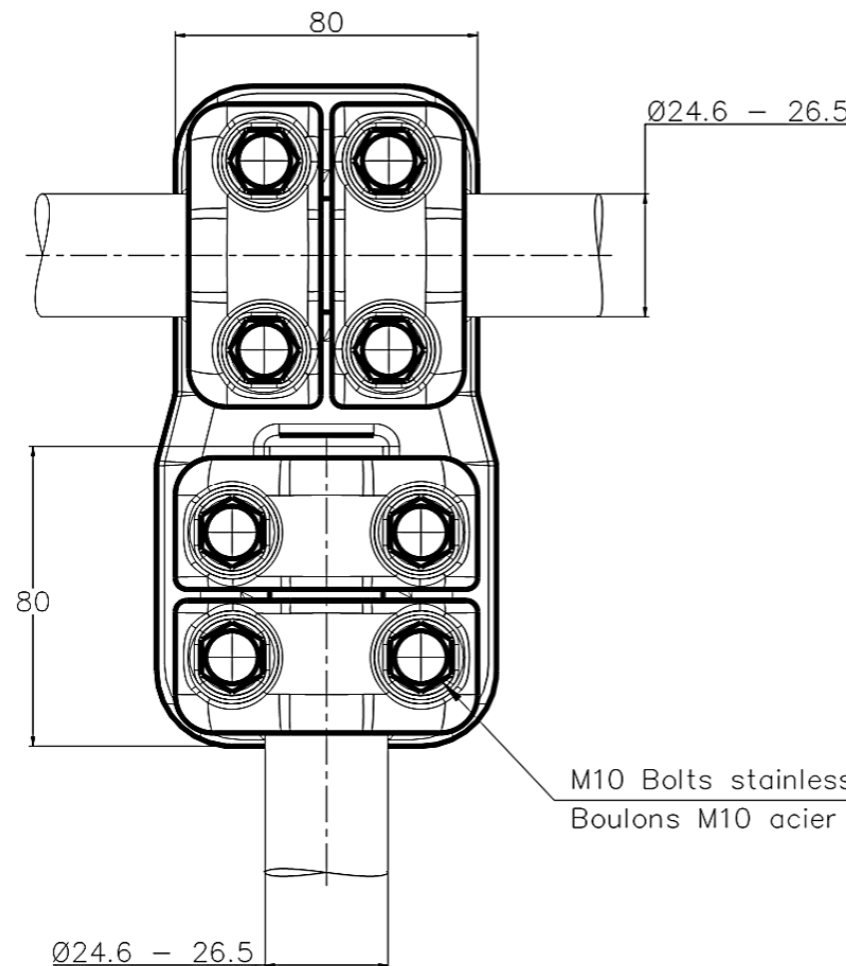
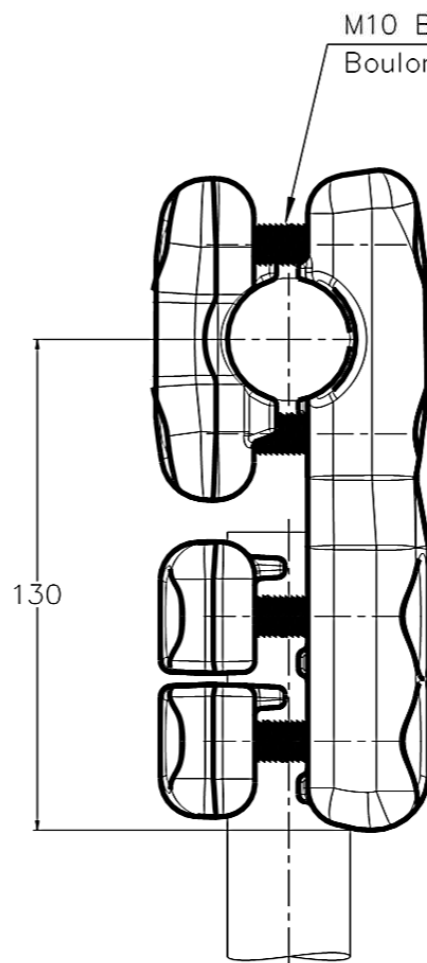
- . - .

© COPYRIGHT - By -

ALL RIGHTS RESERVED.

REVISIONS

P	LTR	DESCRIPTION	DATE	DWN	APVD
	A	CREATION	23-MAR-18	GL	-



No scale - sans echelle

ITEM:.....

THIS DRAWING IS A CONTROLLED DOCUMENT.		DWN	23-MAR-18		STE TE Connectivity
		CHK	-		
DIMENSIONS: mm		TOLERANCES UNLESS OTHERWISE SPECIFIED:		APVD	NAME
		0 PLC	± -	PRODUCT SPEC	TEE CONNECTOR RACCORD EN TE 5 CT 82 S265
		1 PLC	± -	APPLICATION SPEC	
MATERIAL		2 PLC	± -	108-69096-001	SIZE
FINISH		3 PLC	± -	-	CAGE CODE
		4 PLC	± -	-	DRAWING NO
		ANGLES	± -	-	RESTRICTED TO
				APPROX.WEIGHT 1.5 kg	A300779
				CUSTOMER DRAWING	C=2331108
				SCALE 1/2	SHEET 1 OF 1
					REV A