

THIS DRAWING IS UNPUBLISHED.

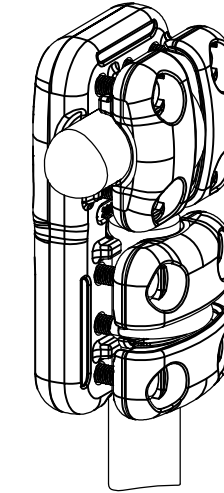
RELEASED FOR PUBLICATION

ALL RIGHTS RESERVED.

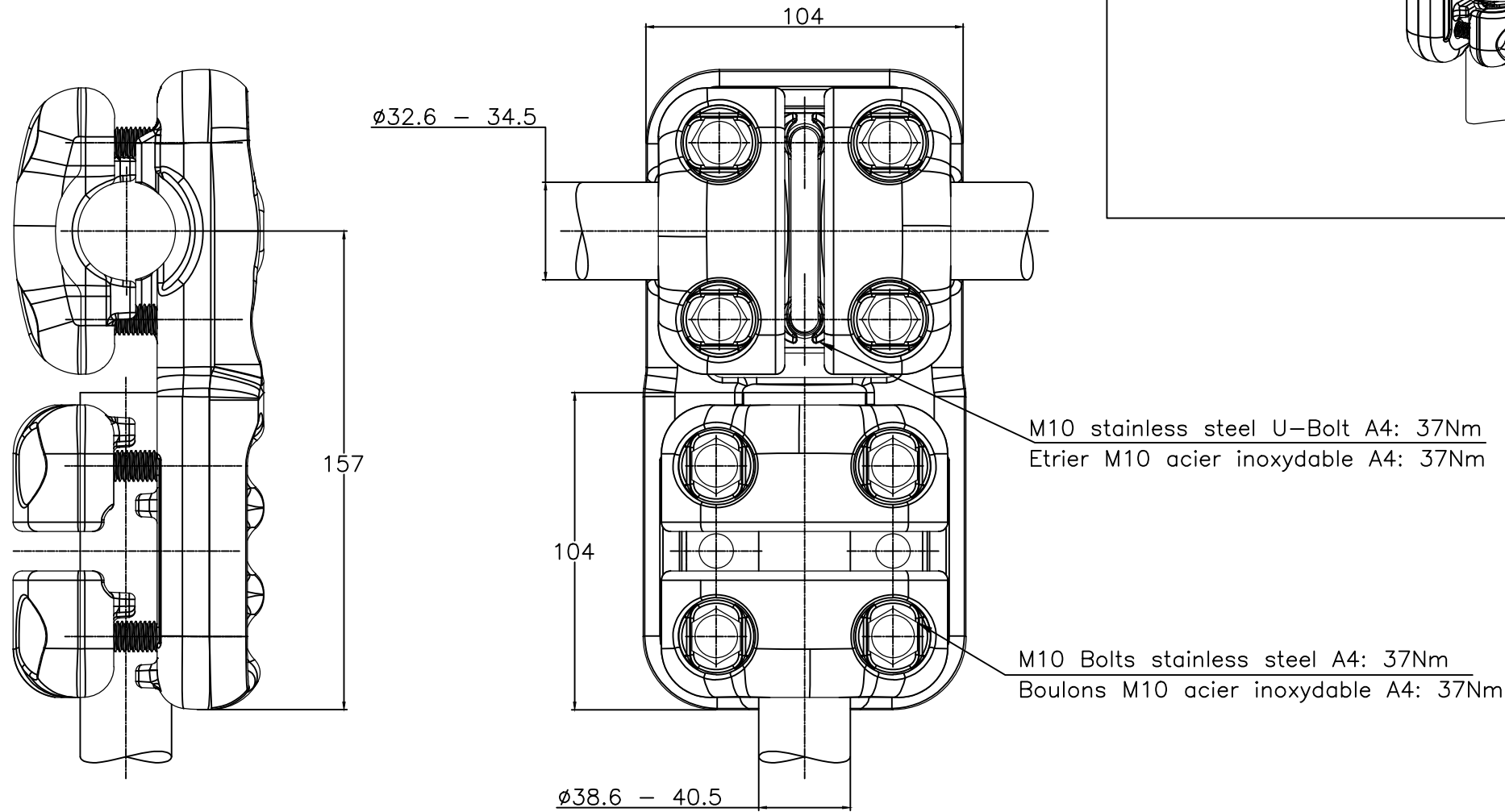
© COPYRIGHT - By -

REVISIONS

P	LTR	DESCRIPTION	DATE	DWN	APVD
	A	CREATION	15-FEB-18	BH	-



No scale - sans echelle



ITEM:.....

THIS DRAWING IS A CONTROLLED DOCUMENT.		DWN	HUARD	15-FEB-18	STE TE Connectivity	
		CHK	-	-		
DIMENSIONS: mm		TOLERANCES UNLESS OTHERWISE SPECIFIED:		NAME		
		0 PLC	± -	TEE CONNECTOR		
		1 PLC	± -	RACCORD EN TE		
		2 PLC	± -	5 CT 84 MR345 M405		
		3 PLC	± -	PRODUCT SPEC		
		4 PLC	± -	108-69096-001		
		ANGLES	± -	APPLICATION SPEC		
MATERIAL		FINISH		SIZE	CAGE CODE	DRAWING NO
				APPROX.WEIGHT	RESTRICTED TO	
				2.3 kg	A300779	C=2331555
CUSTOMER DRAWING				SCALE	SHEET	REV
				1:2	1 OF 1	A