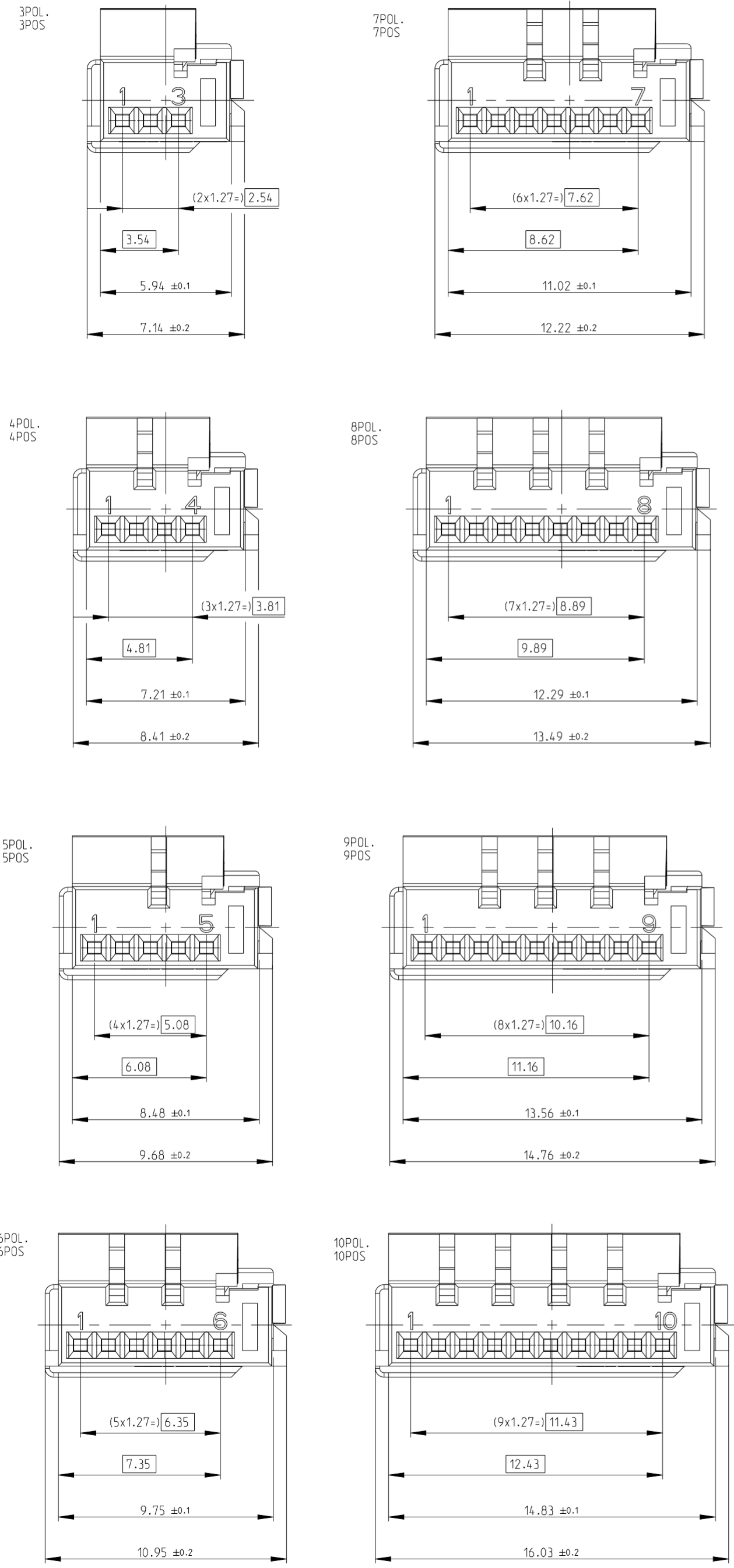
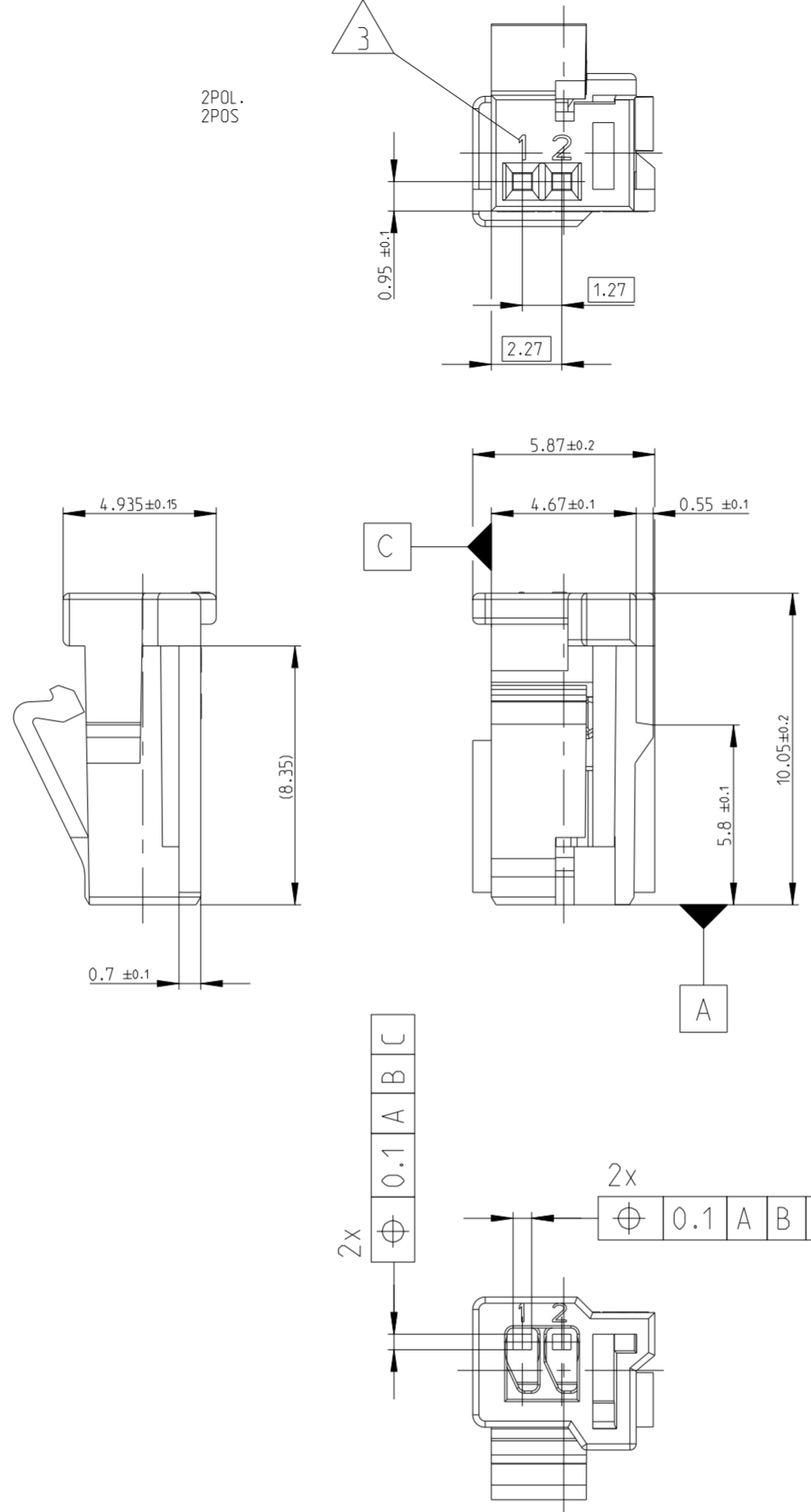


P	LTR	DESCRIPTION BESCHREIBUNG	DATE	DWN	APVD
A5		DRAWING VIEW CORRECTION	13JUN2019	JU	HS
A6		CORRECTION OF NOTES 4 AND 5	27JAN2020	WA	DM
A7		NEW PART NOS ADDED TO TABLE	03FEB2022	JU	TGB
A8		VIEWS AND TABLE DETAIL CORRECTION	09FEB2022	JU	TGB

POLZAHLEN PIN VARIANTS 5:1



2POL. 2POS



BEMERKUNGEN

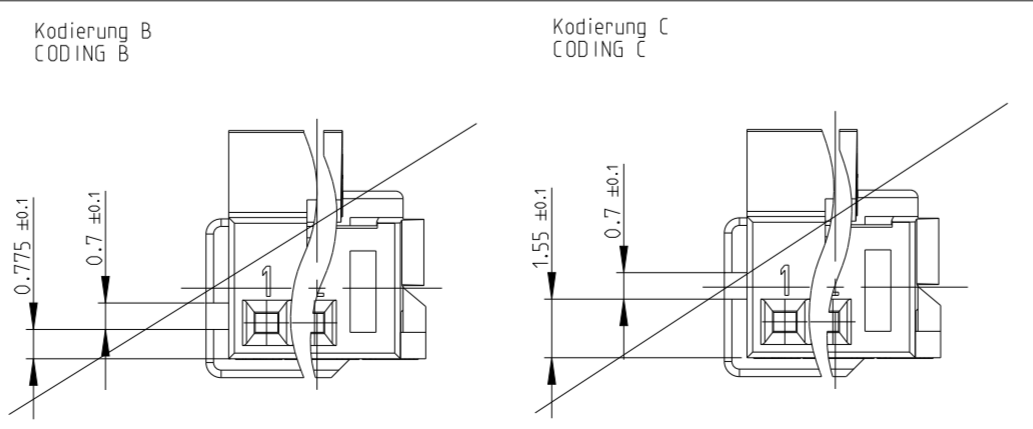
- 1 VERPACKT ALS SCHUETTUT
- 2 PASSENDE KONTAKTE Z.B: 2287720 GEGENSTECKER / SCHNITTSTELLE: 2304165 / 208-18038
- 3 KAMMERNUMMIERUNG
- 4 TEILE AUS KLEINSERIENWERKZEUGEN
- 5 MODELLE ENTHALTEN :TE-LOGO,TE-TEILENUMMER SIEHE TABELLE, PRODUKTIONS DATUMSUHR, AENDERUNGSREVISION, MATERIAL, NESTMARKIERUNG

NOTES

- 1 BULK PACKAGED
- 2 FITTING CONTACTS E.G: 2287720 COUNTERPART / INTERFACE: 2304165 / 208-18038
- 3 CONTACT NUMBERING
- 4 PARTS ARE OUT OF SMALL SERIAL TOOLS
- 5 MODELS INCLUDED: TE-LOGO, TE-PART-NUMBER SEE TABLE, PRODUCTION DATE CLOCK, CHANGE REVISION, MATERIAL, CAVITY MARKING

POS. Polzahl	TE PART NO	COD	REV.	MATERIAL	COLOR	COLOR SIM. FARBE AEHNL. RAL	WEIGHT [g] GEWICHT
10	1-2332190-3	C	A	PBT-GF 10	Blue	5012	0.4
	1-2332190-2	B	A	PBT-GF 10	White	9010	0.4
	1-2332190-1	A	A	PBT-GF 10	Black	9011	0.4
9	9-2332190-1	A	A	PBT-GF 10	Black	9011	0.4
	1-2332189-3	C	A	PBT-GF 10	Blue	5012	0.37
	1-2332189-2	B	A	PBT-GF 10	White	9010	0.37
8	1-2332189-1	A	A	PBT-GF 10	Black	9011	0.37
	9-2332189-1	A	A	PBT-GF 10	Black	9011	0.37
	1-2301969-3	C	B	PBT-GF 10	Blue	5012	0.34
7	1-2301969-2	B	B	PBT-GF 10	White	9010	0.34
	1-2301969-1	A	B	PBT-GF 10	Black	9011	0.34
	1-2301968-3	C	B	PBT-GF 10	Blue	5012	0.31
6	1-2301968-2	B	B	PBT-GF 10	White	9010	0.31
	2406365-1	A	A	PBT-GF 10	Grey	7036	0.31
	1-2301968-1	A	B	PBT-GF 10	Black	9011	0.31
5	1-2332186-3	C	A	PBT-GF 10	Blue	5012	0.28
	1-2332186-2	B	A	PBT-GF 10	White	9010	0.28
	1-2332186-1	A	A	PBT-GF 10	Black	9011	0.28
4	9-2332186-1	A	A	PBT-GF 10	Black	9011	0.28
	1-2301920-3	C	B	PBT-GF 10	Blue	5012	0.25
	1-2301920-2	B	B	PBT-GF 10	White	9010	0.25
3	2406364-1	A	A	PBT-GF 10	Grey	7036	0.25
	1-2301920-1	A	B	PBT-GF 10	Black	9011	0.25
	1-2332184-3	C	A	PBT-GF 10	Blue	5012	0.21
2	1-2332184-2	B	A	PBT-GF 10	White	9010	0.21
	1-2332184-1	A	A	PBT-GF 10	Black	9011	0.21
	9-2332184-1	A	A	PBT-GF 10	Black	9011	0.21
1	1-2332183-3	C	A	PBT-GF 10	Blue	5012	0.18
	1-2332183-2	B	A	PBT-GF 10	White	9010	0.18
	1-2332183-1	A	A	PBT-GF 10	Black	9011	0.18
0	9-2332183-1	A	A	PBT-GF 10	Black	9011	0.18
	1-2332182-3	C	A	PBT-GF 10	Blue	5012	0.15
	1-2332182-2	B	A	PBT-GF 10	White	9010	0.15
-	2406363-1	A	A	PBT-GF 10	Grey	7036	0.15
	1-2332182-1	A	A	PBT-GF 10	Black	9011	0.15
-	9-2332182-1	A	A	PBT-GF 10	Black	9011	0.15

1-2332182-1 AS SHOWN wie dargestellt



DIESE ZEICHNUNG IST EIN KONTROLLIERTES DOKUMENT. BEMASSUNGEN UND TOLERANZEN GEMAESS GPS (ISO STANDARDS).

THIS DRAWING IS A CONTROLLED DOCUMENT. DIMENSIONING AND TOLERANCING PER GPS (ISO STANDARDS).

DWN	A. Walz	06Mar2018
CHK	H. Strutzberg	06Mar2018

APVD: -

NAME: 2-10POS PicoMQS RECEPTACLE HOUSINGS

PRODUCT SPEC: 108-94648

APPLICATION SPEC: 114-94520

WEIGHT: -

CUSTOMER DRAWING

TOLERANCING ISO 8015 TOLERIERUNG ISO 8015

TE Connectivity

2-10POS PicoMQS RECEPTACLE HOUSINGS

2-10pol. PicoMQS Gehäuse

SIZE: A2

CAGE CODE: -

DRAWING NO: C-2332182

RESTRICTED TO: NUR FUER

SCALE: MASSSTAB 5:1

SHEET: 1 OF 1

REV: A8