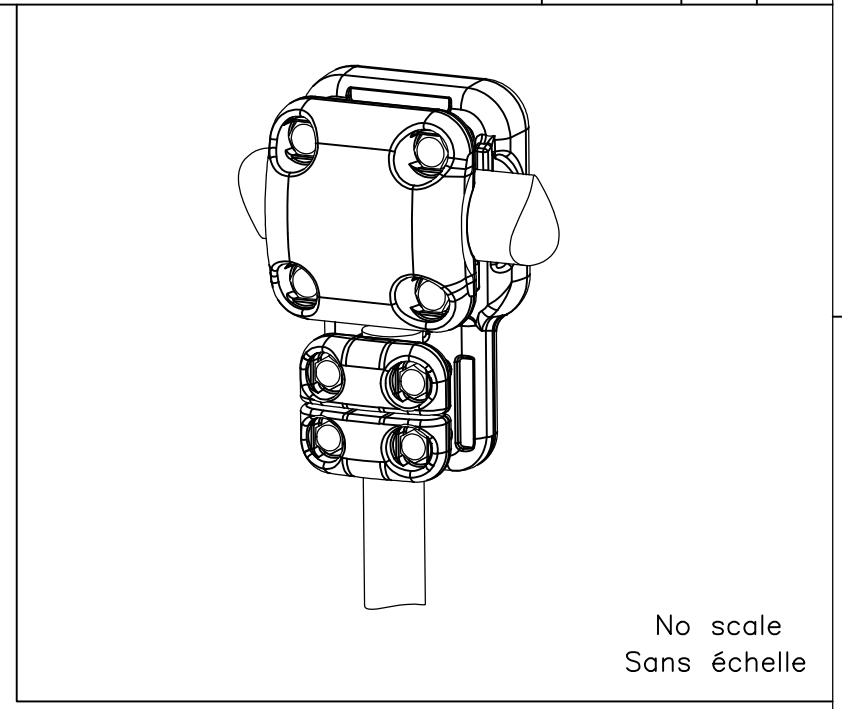
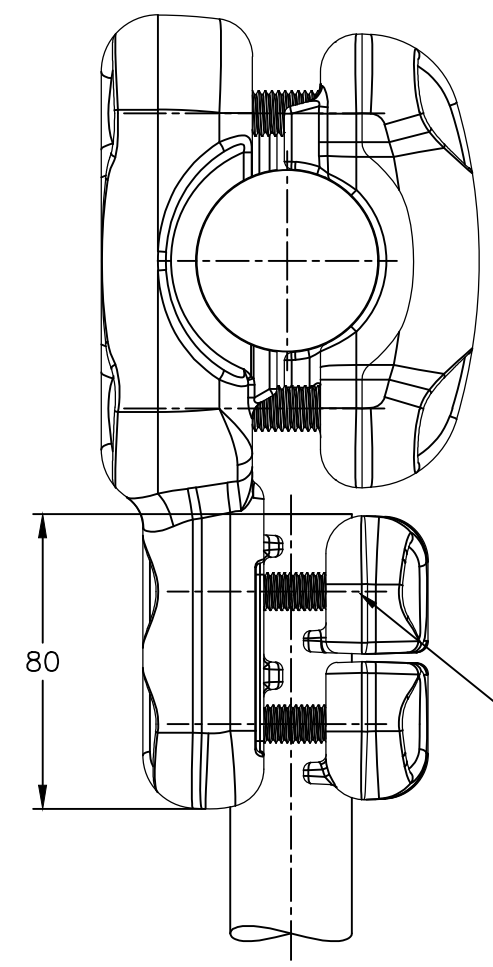
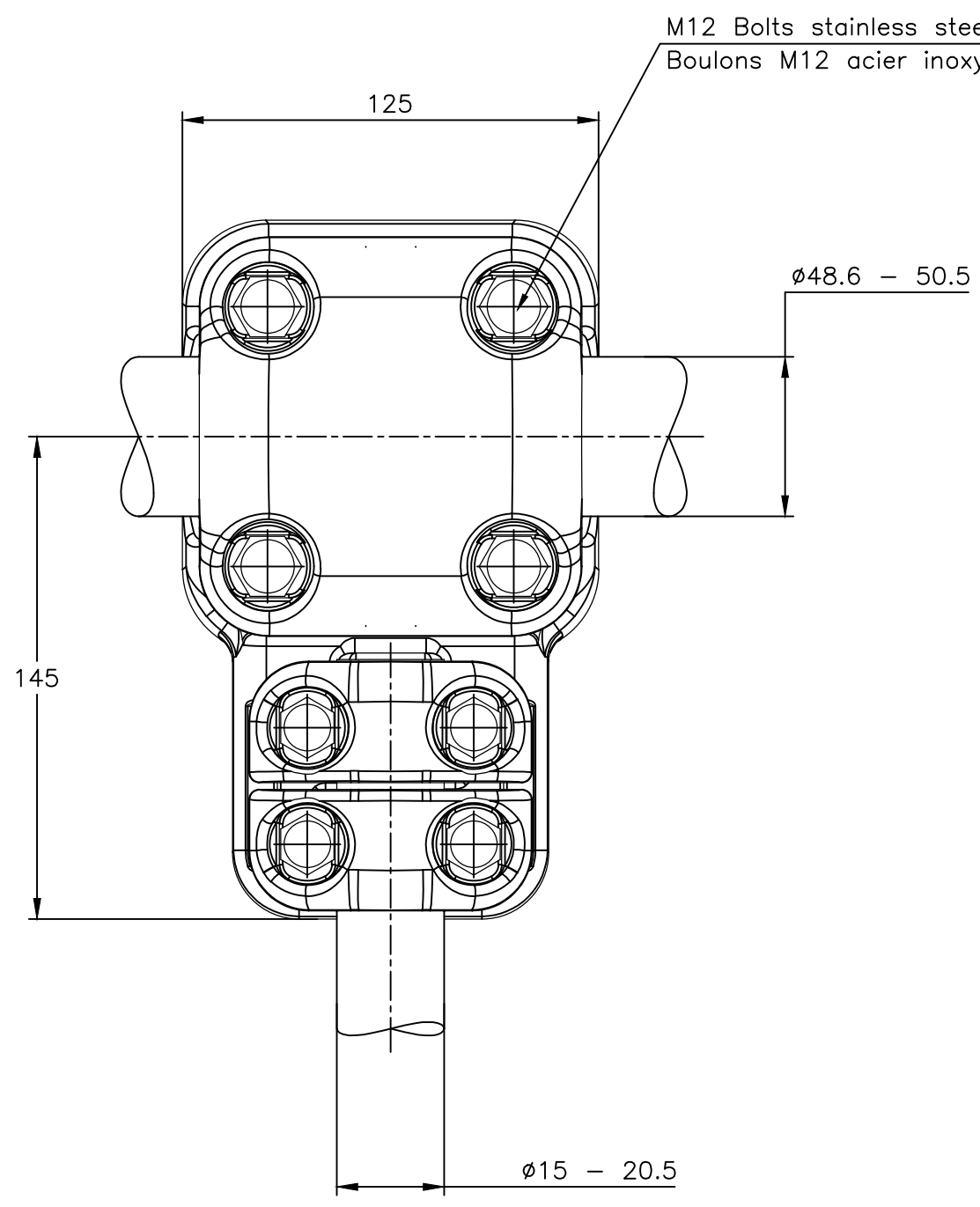


THIS DRAWING IS UNPUBLISHED. RELEASED FOR PUBLICATION
 © COPYRIGHT - By - ALL RIGHTS RESERVED.

| REVISIONS | | | | |
|-----------|-----|-------------|-----------|------|
| P | LTR | DESCRIPTION | DATE | APVD |
| | A | CREATION | 02-MAY-18 | MT |



ITEM:.....

| | | | | | |
|--|--|------------------|---------------|--|-----------|
| THIS DRAWING IS A CONTROLLED DOCUMENT. | | DWN TALPIN | 02-MAY-18 | STE TE Connectivity | |
| DIMENSIONS: mm | | CHK | - | | |
| TOLERANCES UNLESS OTHERWISE SPECIFIED: | | APVD | - | NAME TEE CONNECTOR RACCORD EN TE | |
| 0 PLC ± - | | PRODUCT SPEC | - | 5 CT 82 LB505 S205 | |
| 1 PLC ± - | | APPLICATION SPEC | 108-69096-001 | SIZE | A3 |
| 2 PLC ± - | | | | CAGE CODE | 00779 |
| 3 PLC ± - | | | | DRAWING NO | C=2332344 |
| 4 PLC ± - | | | | APPROX.WEIGHT | 1.45 kg |
| ANGLES ± - | | | | CUSTOMER DRAWING | SCALE 1/2 |
| MATERIAL | | FINISH | - | SHEET | 1 OF 1 |
| | | | | RESTRICTED TO | REV A |