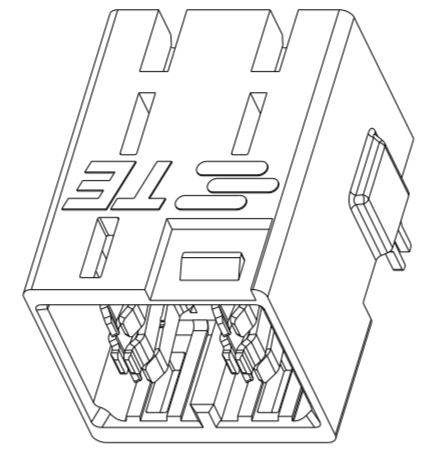
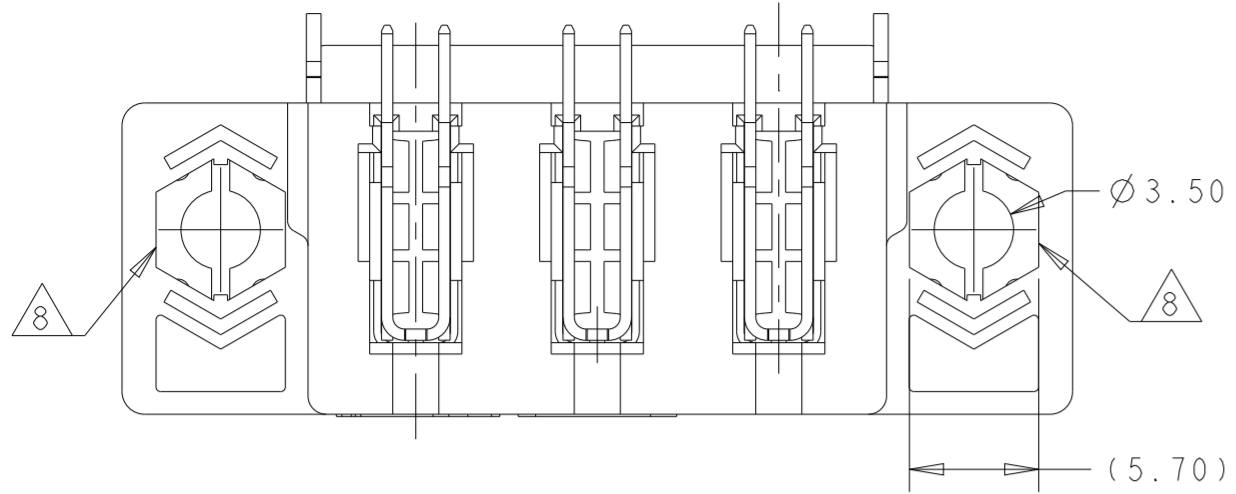
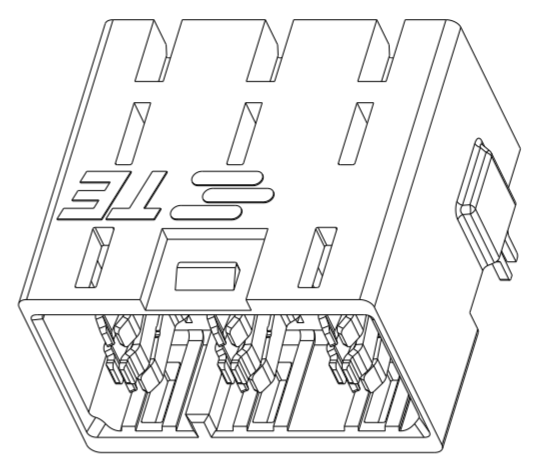


THIS DRAWING IS UNPUBLISHED. RELEASED FOR PUBLICATION 20
 © COPYRIGHT 20 BY - ALL RIGHTS RESERVED.

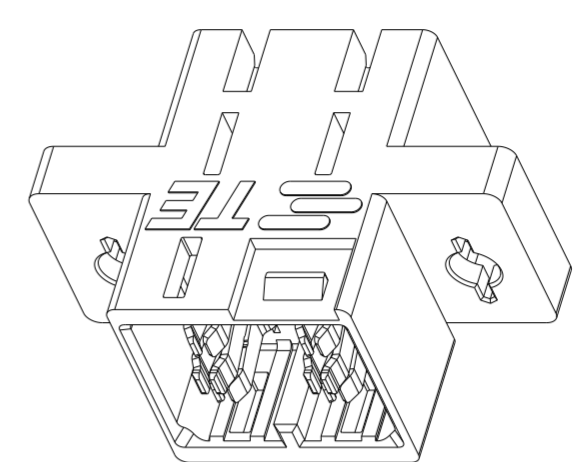
REVISIONS					
P	LTR	DESCRIPTION	DATE	DWN	APVD
A		INITIAL RELEASE	14SEP2021		



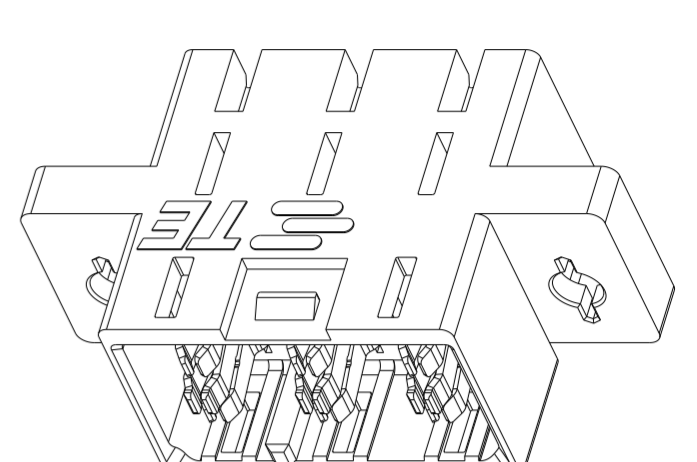
2332665-1
SCALE 2:1



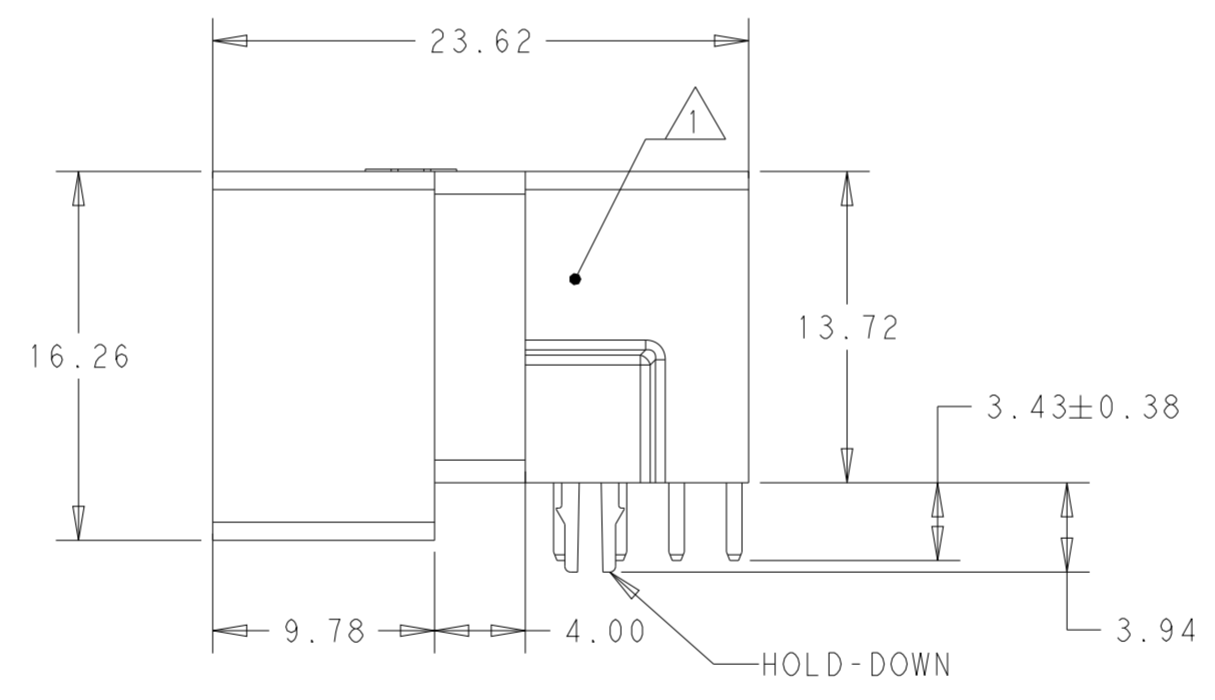
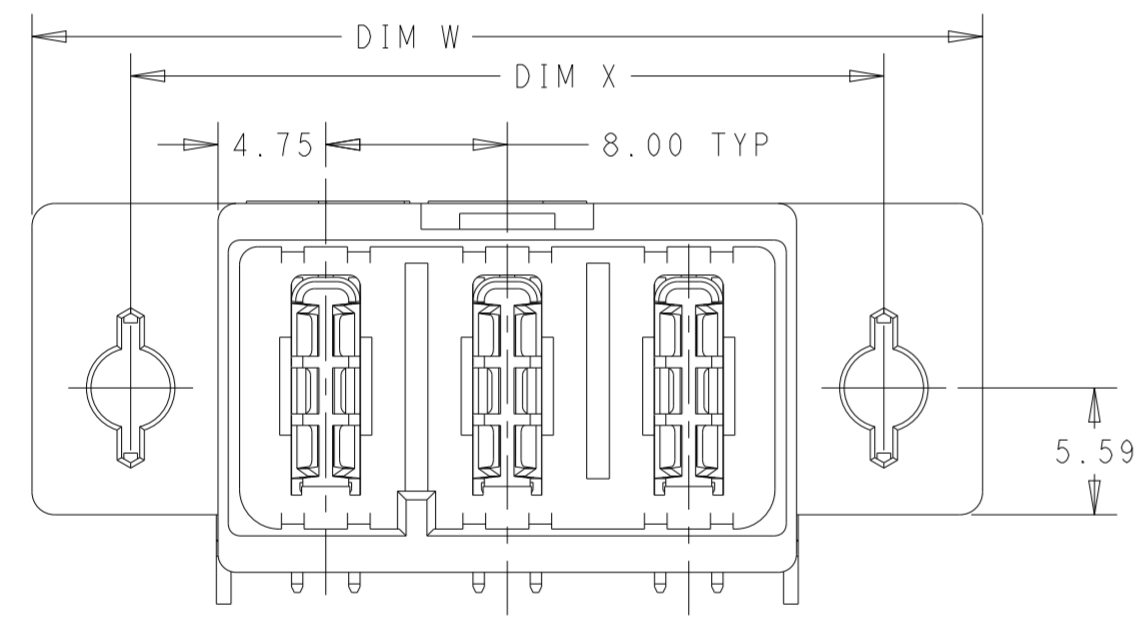
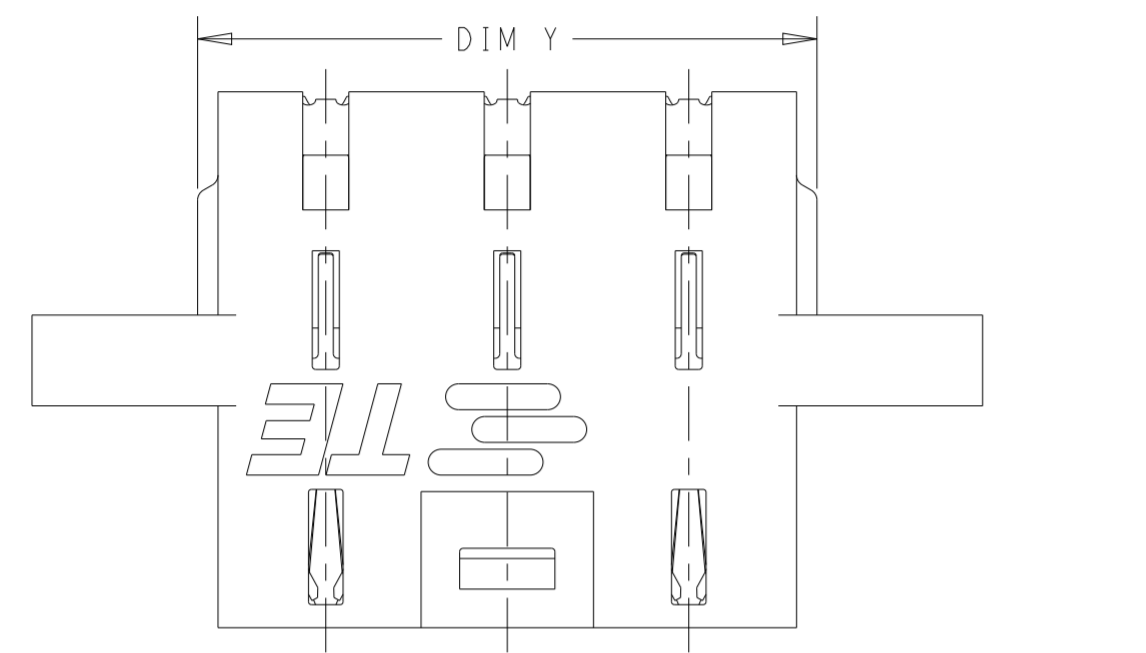
2332665-2
SCALE 2:1



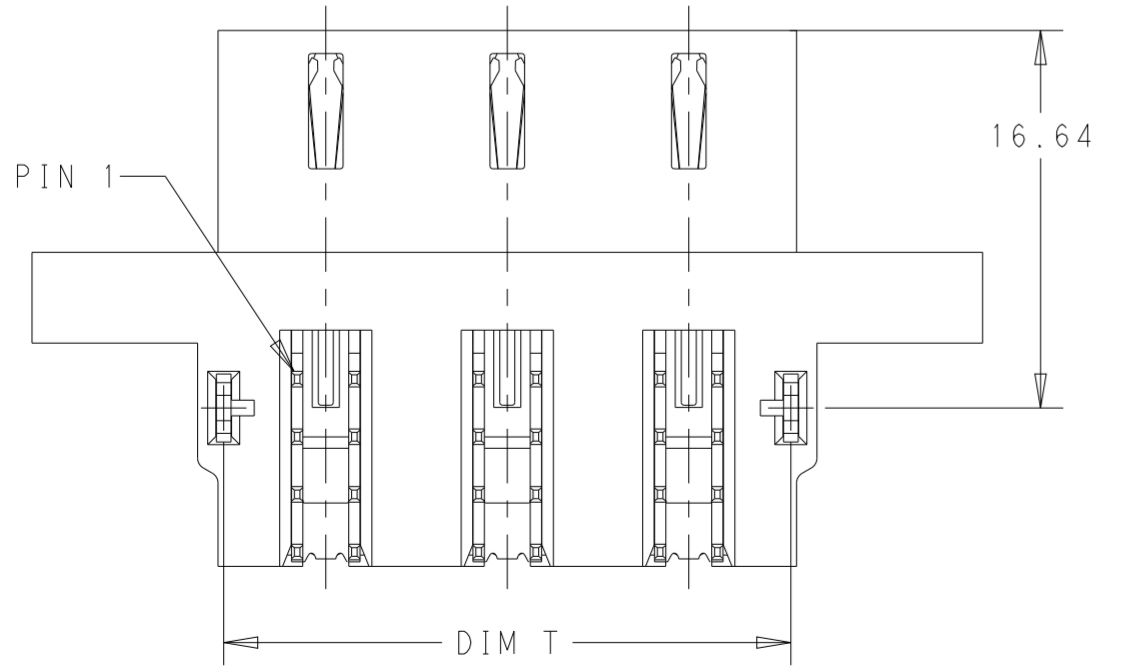
2332665-3
SCALE 2:1



2332665-4
SCALE 2:1



- 1 PART NUMBER AND DATECODE TO BE MARKED IN AREA SHOWN.
- 2 MATERIAL: HOUSING - GLASS FILLED HIGH TEMP THERMO PLASTIC, ORANGE, UL94 V-0
CONTACTS - HIGH CONDUCTIVITY COPPER ALLOY
HOLD-DOWNS - COPPER ALLOY
- 3 PLATING: CONTACTS - Ni UNDER ALL.
Au AT CONTACT AREA.
Sn AT PCB INTERFACE.
HOLD-DOWNS - TIN WITH NICKEL UNDERPLATING
- 4 MECHANICAL CONNECTOR KEEP OUT ZONE.
- 5 DATUM AND BASIC DIMENSIONS ESTABLISHED BY CUSTOMER.
- 6 PCB - HOLE DIAMETERS ARE FINISHED HOLE SIZE.
- 7 PCB - 1.15±0.03 DRILLED HOLES PLATED WITH .0076 MIN Sn OVER .0254 TO .0762 Cu PLATING TO ACHIEVE A 1.02 DIA HOLE.
- 8 FEATURES DESIGNED TO RETAIN M3 THIN HEX NUT (DIN 439)



26.50	41.90	33.20	25.00	42.10	27.30	SOLDER TAIL	YES	3 POSITION	2332665-4
18.50	33.90	25.20	17.00	34.10	19.30	SOLDER TAIL	YES	2 POSITION	2332665-3
-	-	-	25.00	27.50	27.30	SOLDER TAIL	NO	3 POSITION	2332665-2
-	-	-	17.00	19.50	19.30	SOLDER TAIL	NO	2 POSITION	2332665-1
DIM Z	DIM W	DIM X	DIM T	DIM R	DIM Y	CONTACT STYLE	PANEL MOUNT FEATURES	DESCRIPTION	PART NO.

THIS DRAWING IS A CONTROLLED DOCUMENT.

DWN	K. MILLER	04SEP2018
CHK	N. RUFFINI	05SEP2018
APVD		
PRODUCT SPEC	108-163021	
APPLICATION SPEC	114-163021	
WEIGHT	-	
CUSTOMER DRAWING	SCALE 3:1	SHEET 1 OF 2

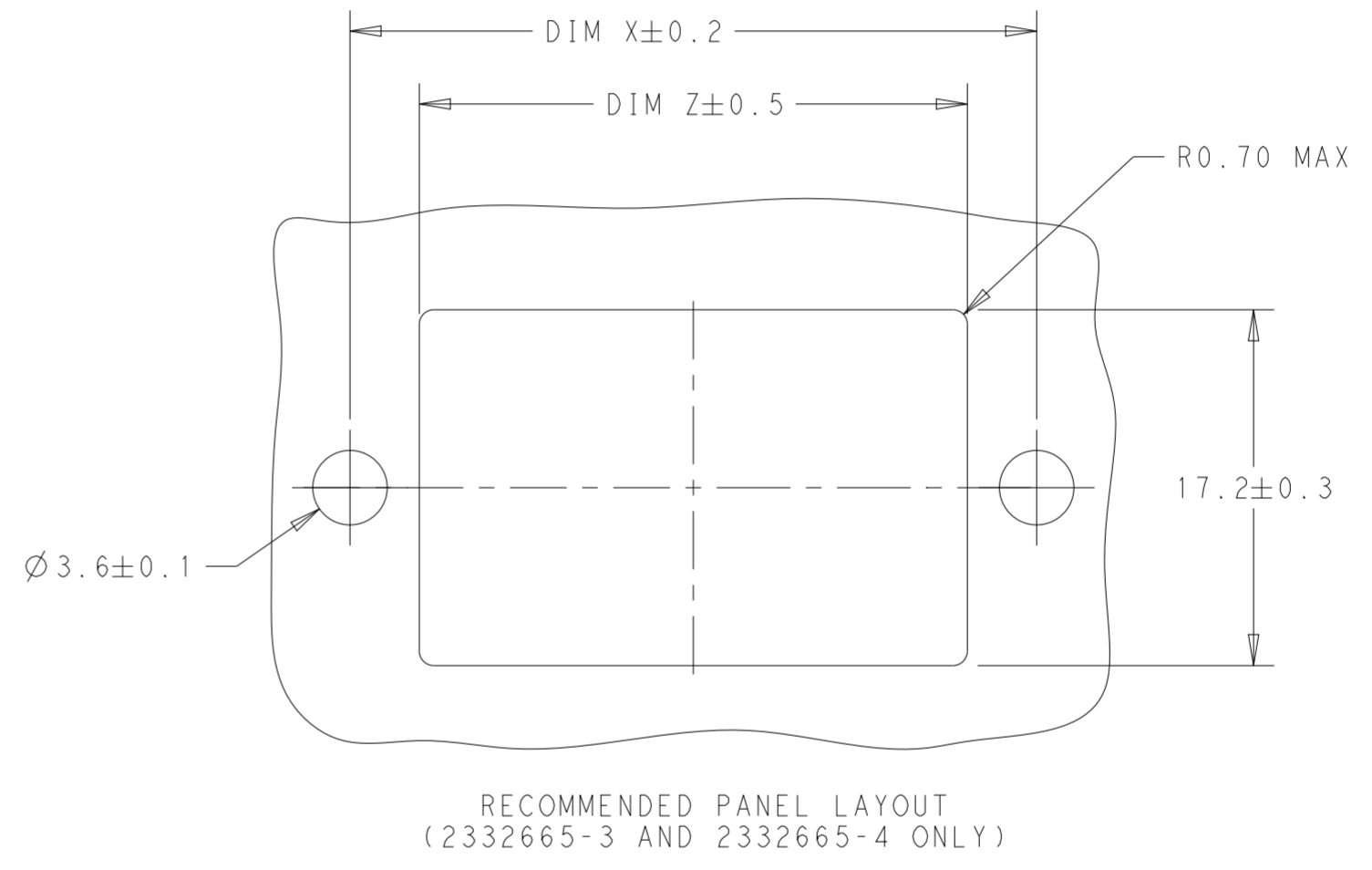
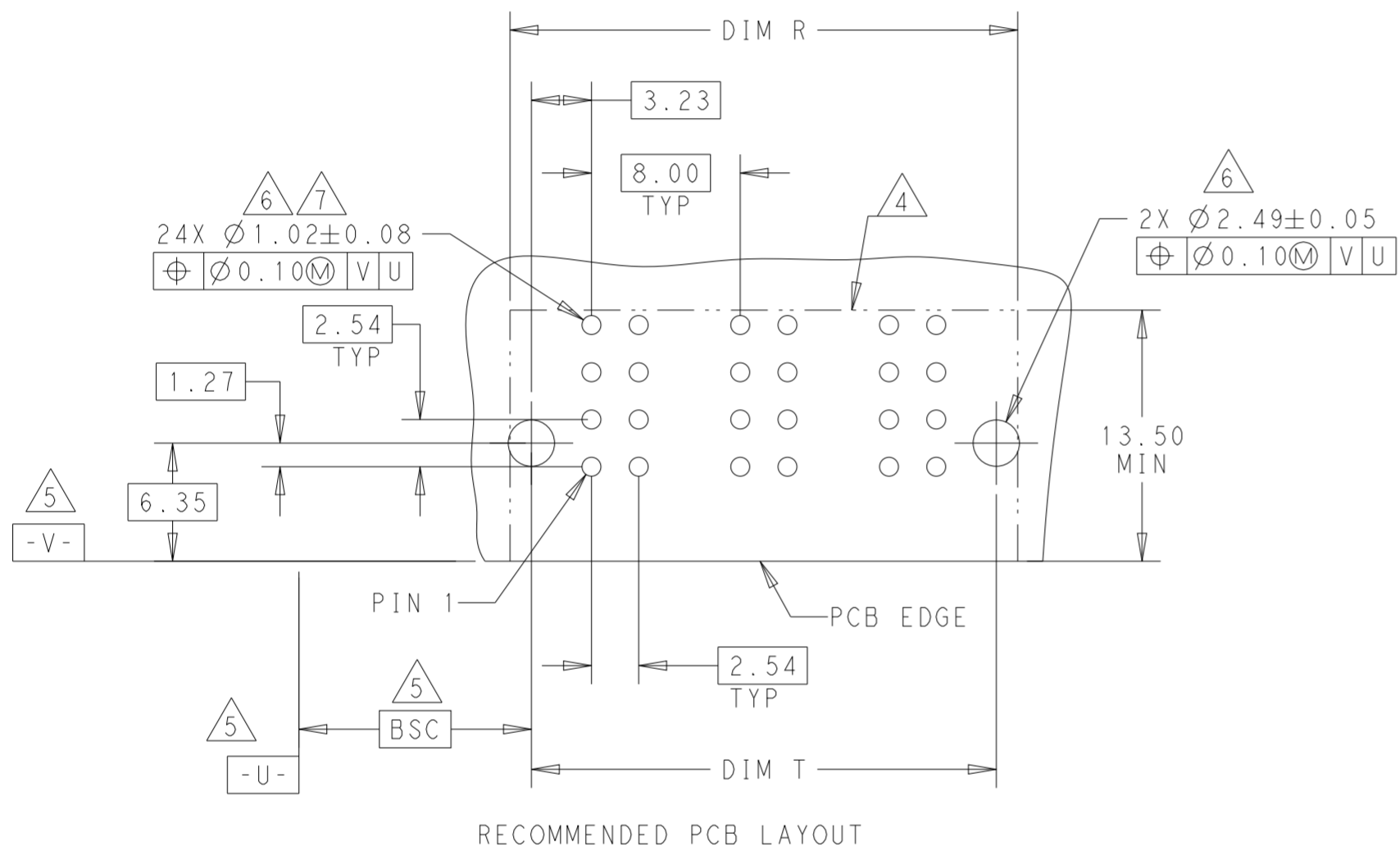
STC TE Connectivity


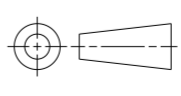
NAME: UMP, PLUG, CONNECTOR ASSEMBLY PCB MOUNT

SIZE: A2 CAGE CODE: 00779 DRAWING NO: C-2332665 RESTRICTED TO: -

THIS DRAWING IS UNPUBLISHED. RELEASED FOR PUBLICATION 20
 © COPYRIGHT 20 BY - ALL RIGHTS RESERVED.

REVISIONS				
P	LTR	DESCRIPTION	DATE	APVD
-	-	SEE SHEET 1	-	-



THIS DRAWING IS A CONTROLLED DOCUMENT.		DWN K. MILLER 04SEP2018	 TE Connectivity	
		CHK N. RUFFINI 05SEP2018		
DIMENSIONS: mm	TOLERANCES UNLESS OTHERWISE SPECIFIED:	APVD -	NAME UMP, PLUG, CONNECTOR ASSEMBLY PCB MOUNT	
	0 PLC ±-	PRODUCT SPEC 108-163021	SIZE -	
	1 PLC ±0.25	APPLICATION SPEC 114-163021	CAGE CODE A200779	DRAWING NO C-2332665
MATERIAL	FINISH ±2°0'	WEIGHT -	RESTRICTED TO -	SCALE 3:1
CUSTOMER DRAWING			SHEET 2 OF 2	REV A