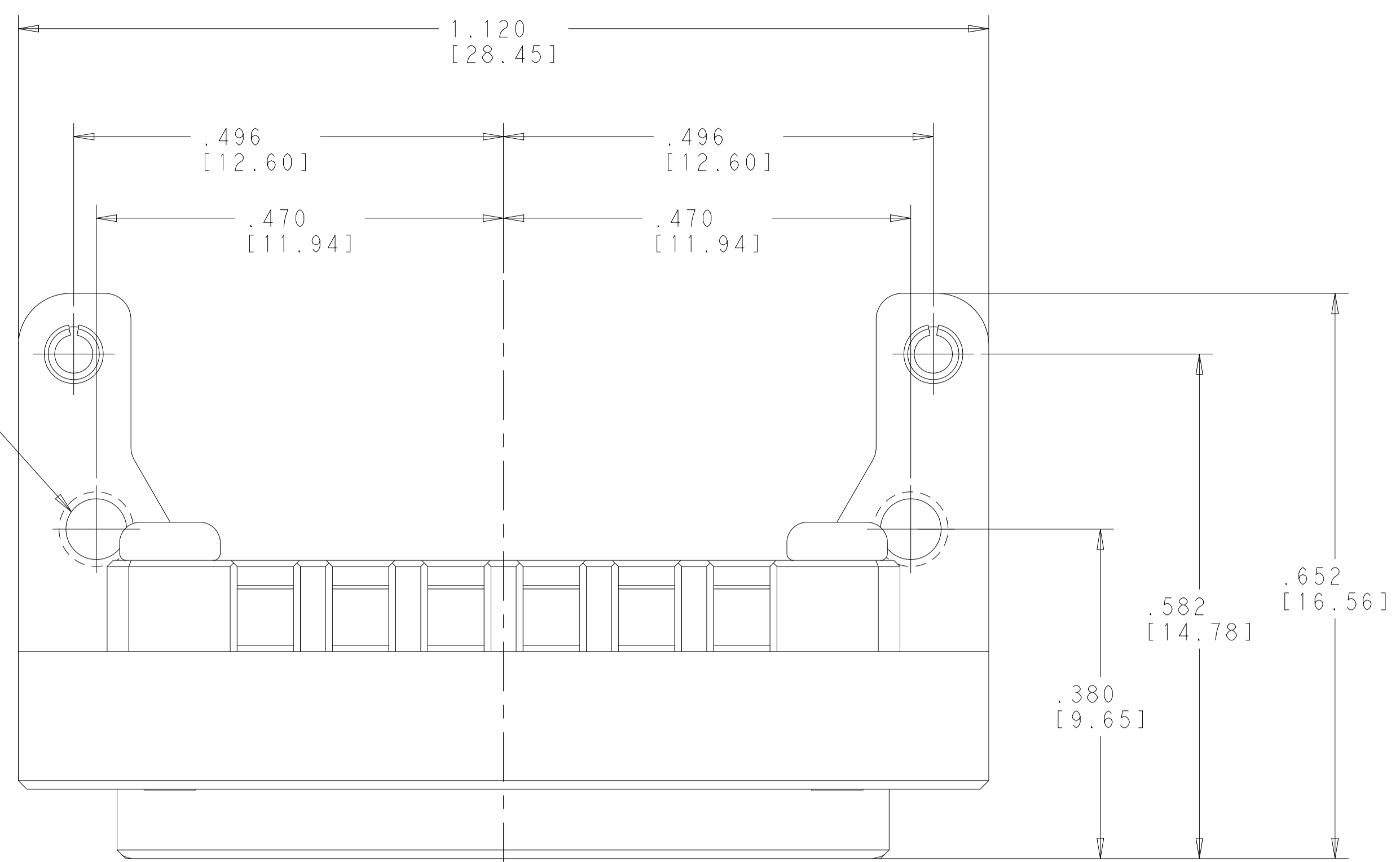
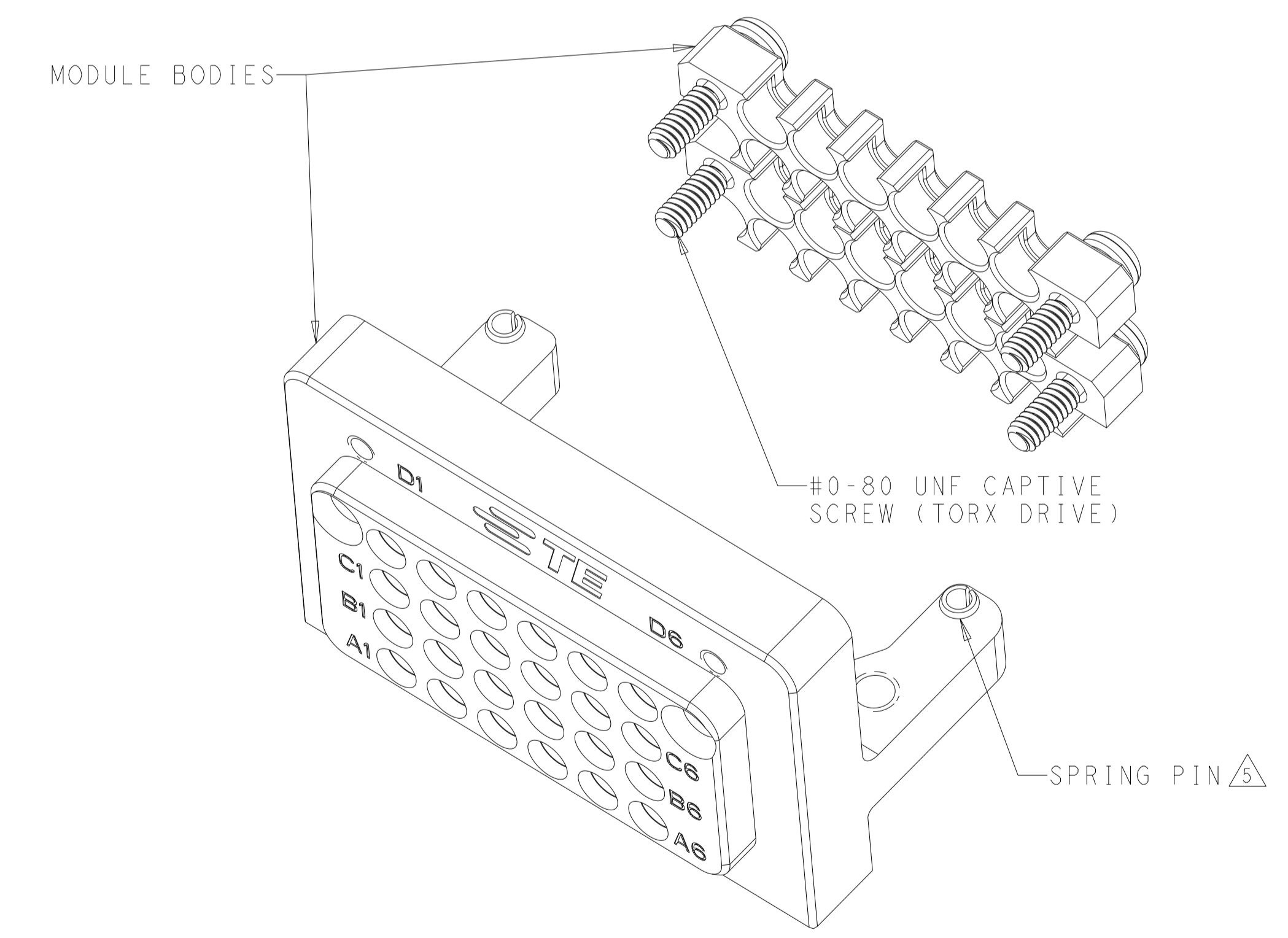
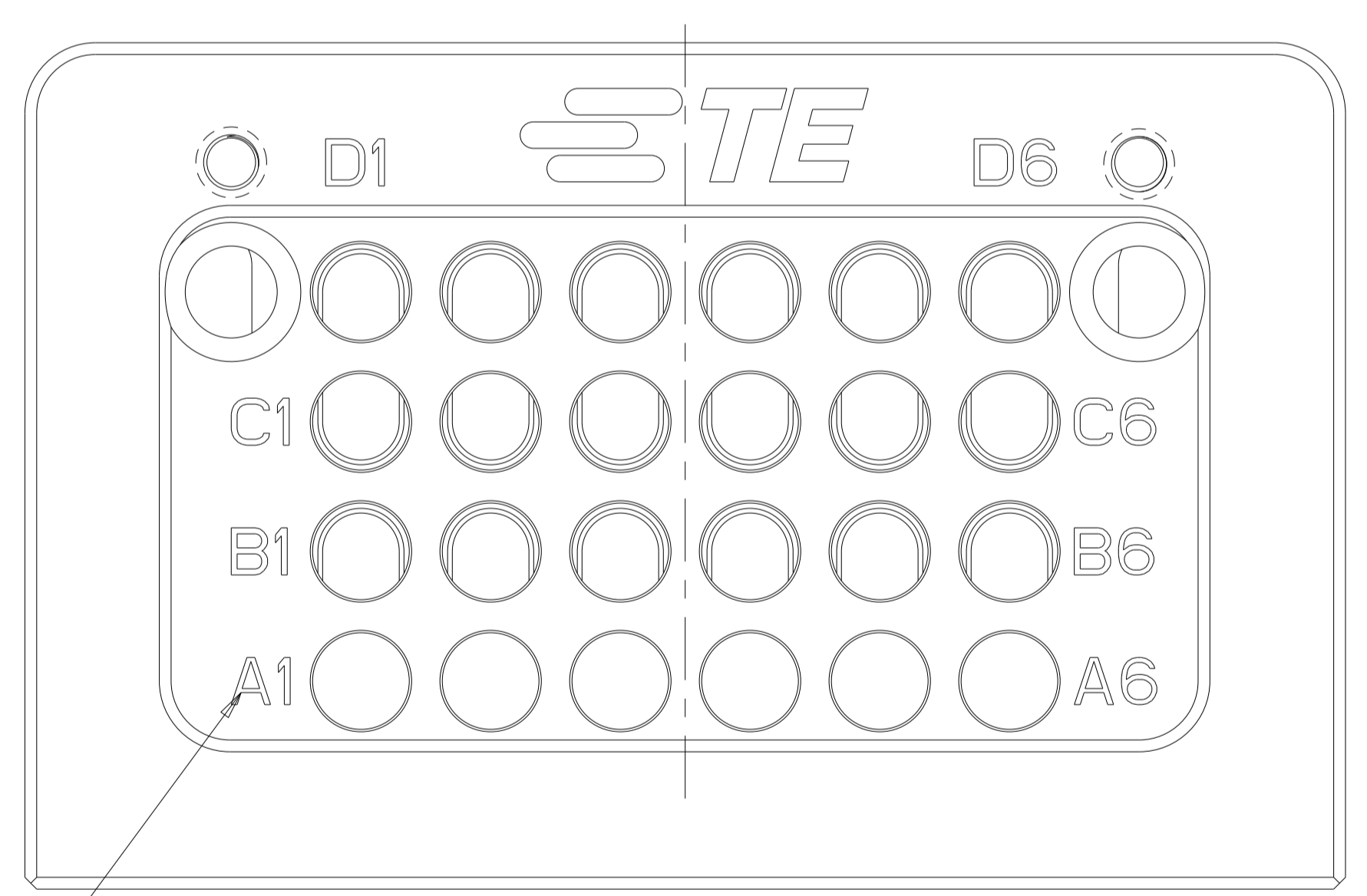
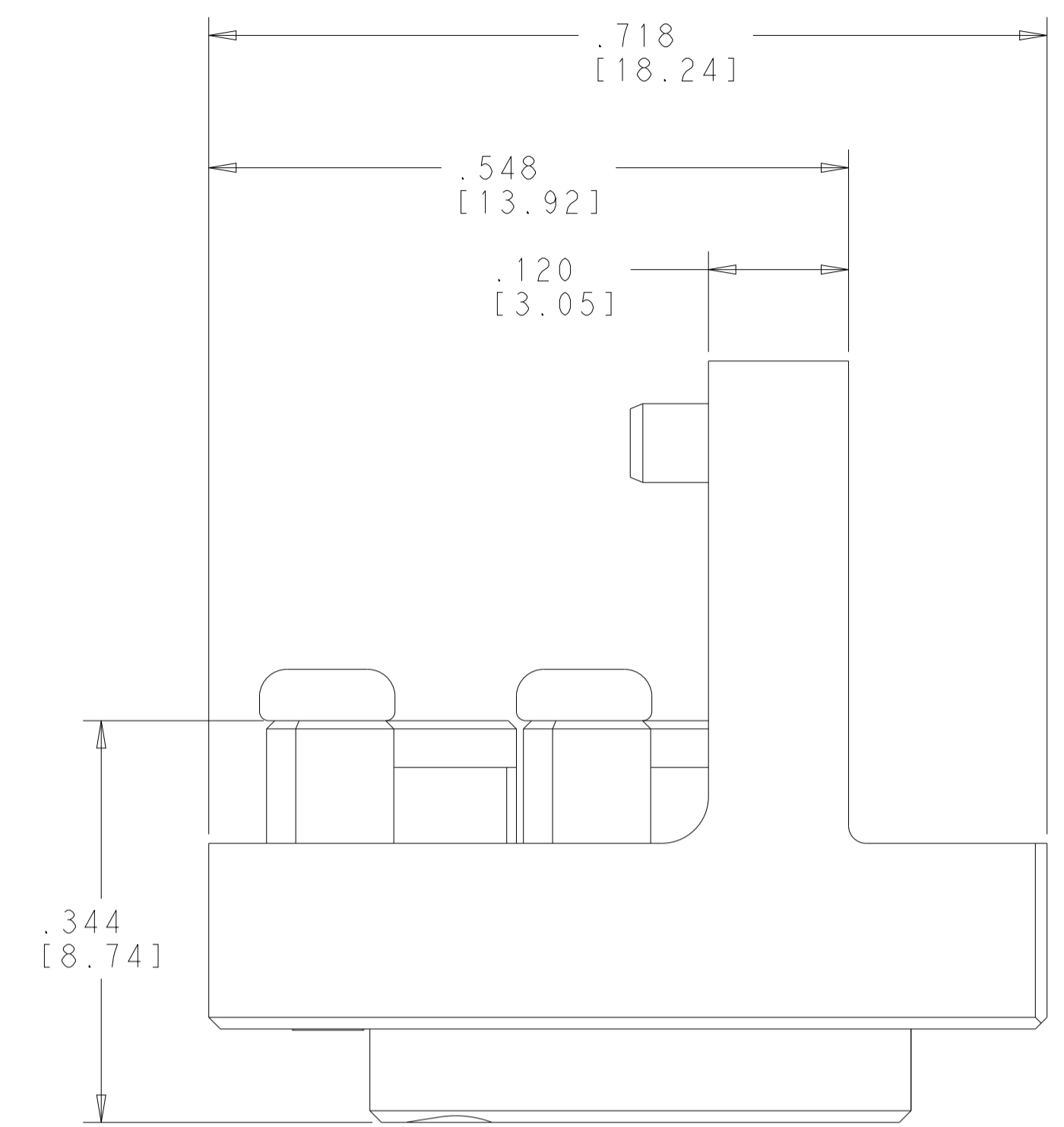


LOC		DIST		REVISIONS			
P	LTN	DESCRIPTION	DATE	DWN	APVD		
A		RELEASED PER 21-104996	6-14-21	CT	FB		



2-56 UNC-2B THREADED THRU HOLE 4 PLACES



SCALE 5:1

- 1 MATERIAL:
MODULE BODIES - SEE TABLE
SCREWS AND SPRING PINS - STAINLESS STEEL
- 2 FINISH:
MODULE BODIES - SEE TABLE
SCREWS AND SPRING PINS - PASSIVATED
- 3. SHIPPED IN KIT FORM.
- 4 CIRCUIT IDENTIFICATION MARKING
- 5 SPRING PINS SUPPLIED IN POSITION SHOWN.
SPRING PINS TO BE PRESSED INTO LOCATING HOLES ON PCB DURING ASSEMBLT.

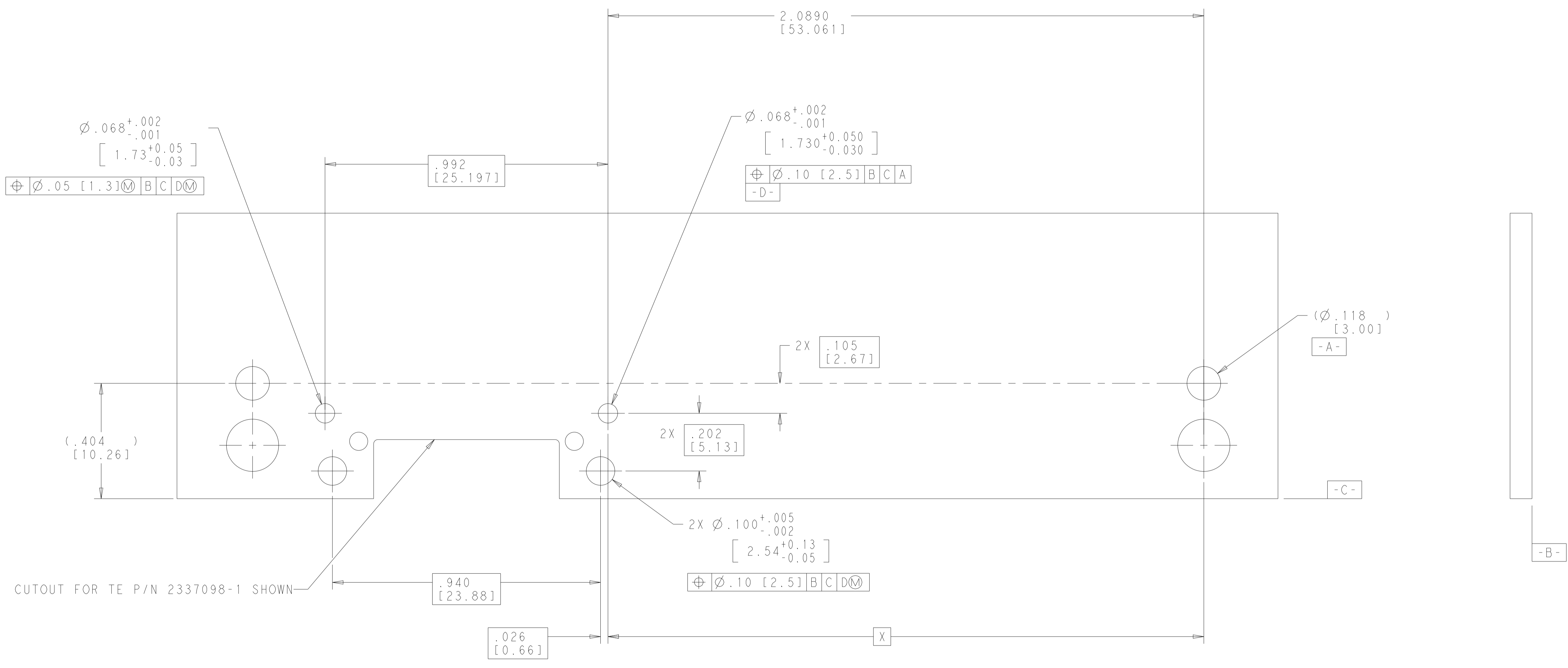
CLEAR CHROMATE CONVERSION COATING	ALUMINUM ALLOY 7075	2332714-2
PASSIVATED	STAINLESS STEEL PER UNS S30300	2332714-1
MODULE FINISH 2	MODULE MATERIAL 1	PART NUMBER

DIMENSIONS:		TOLERANCES UNLESS OTHERWISE SPECIFIED:		APVD		NAME	
INCHES/mm		0 PLC	±	CHK	R. MILLER	20JUN2018	
		1 PLC	±	CHK	F. BLASICK	23JUL2018	
		2 PLC	±	APVD	F. BLASICK	23JUL2018	
		3 PLC	±.005[0.13]	PRODUCT SPEC			
		4 PLC	±	APPLICATION SPEC			
		ANGLES	±				
		FINISH		WEIGHT			
MATERIAL	1	FINISH	2	CUSTOMER DRAWING			

SIZE	CAGE CODE	DRAWING NO	RESTRICTED TO
A1	00779	C=2332714	

SCALE	SHEET	OF	REV
8:1	1	2	A

REVISIONS							
LOC	DIST	P	LTN	DESCRIPTION	DATE	DWN	APVD
-	-	-	-	SEE SHEET 1	-	-	-



CUTOUT FOR TE P/N 2337098-1 SHOWN

RECOMMENDED PCB CUTOUT
 DESIGNED TO MATE WITH MODULE "C"
 LOCATIONS AS SPECIFIED IN VITA 67.3
 (SEE FIGURE 6.1.4.1-1)

P2	2.089[53.06]
P3	3.646[92.61]
P4	4.980[126.49]
P5	6.113[155.27]
P6	7.261[184.43]
POSITION	DIM "X"

THIS DRAWING IS A CONTROLLED DOCUMENT.		DWN K. MILLER 20JUN2018	NAME	
DIMENSIONS: INCHES/mm		CHK F. BLASICK 23JUL2018	ASSEMBLY, RF MODULE, DAUGHTERCARD EDGELAUNCH, V67.3	
TOLERANCES UNLESS OTHERWISE SPECIFIED:		APVD	RESTRICTED TO	
0 PLC	±	PRODUCT SPEC	-	
1 PLC	±	APPLICATION SPEC	-	
2 PLC	±	WEIGHT	-	
3 PLC	±.005[0.13]	SCALE	4:1	
4 PLC	±	SHEET	2 OF 2	
ANGLES	±	REV	A	
FINISH	±	CUSTOMER DRAWING		