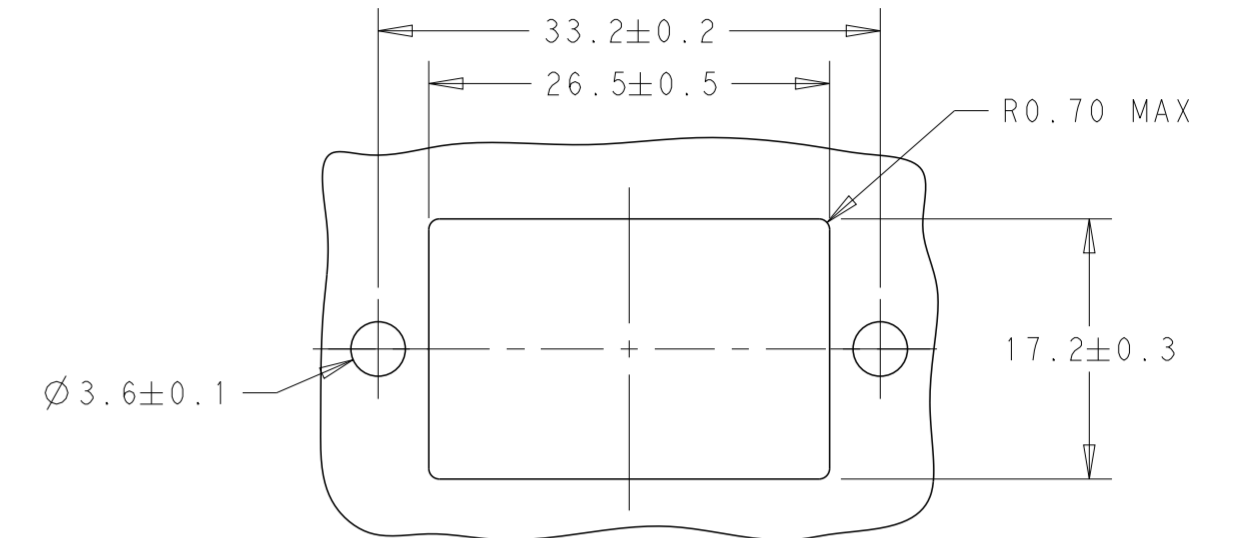
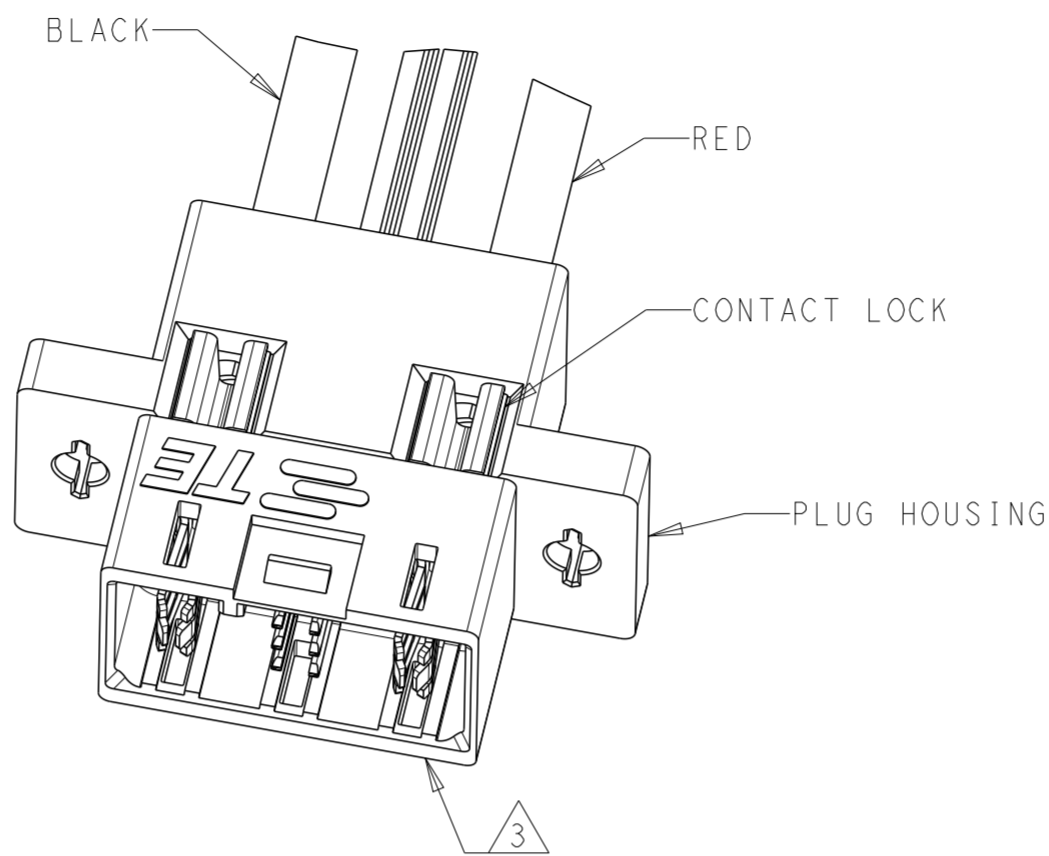
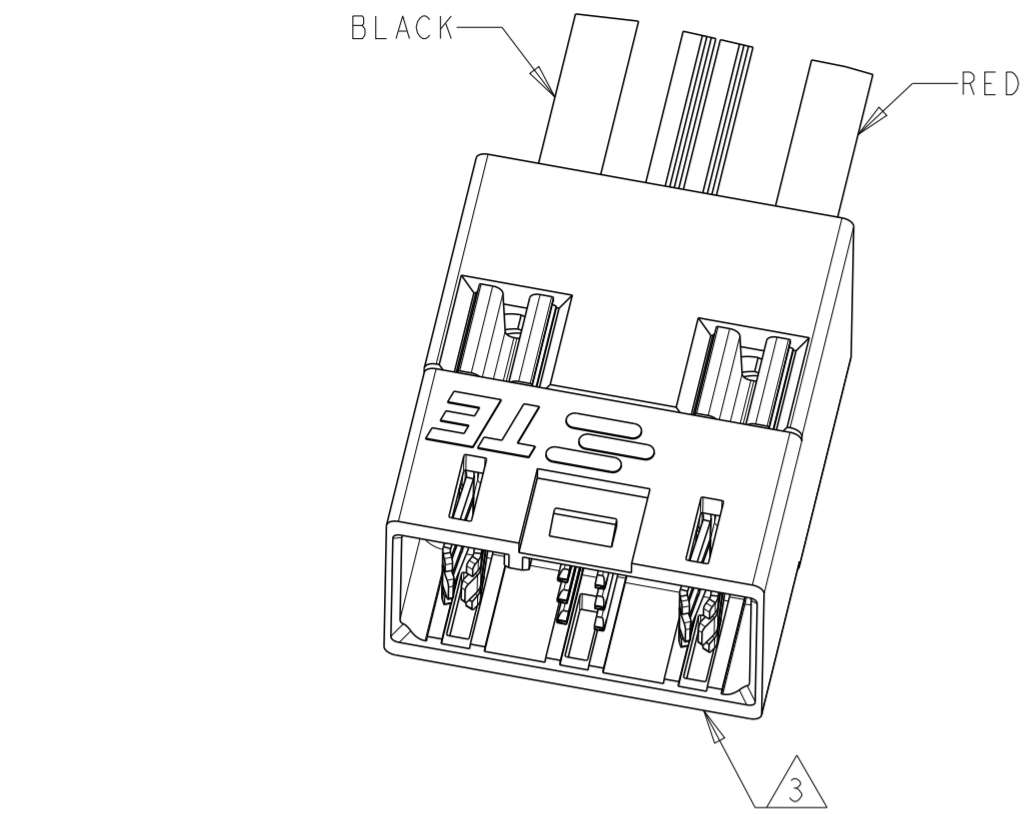
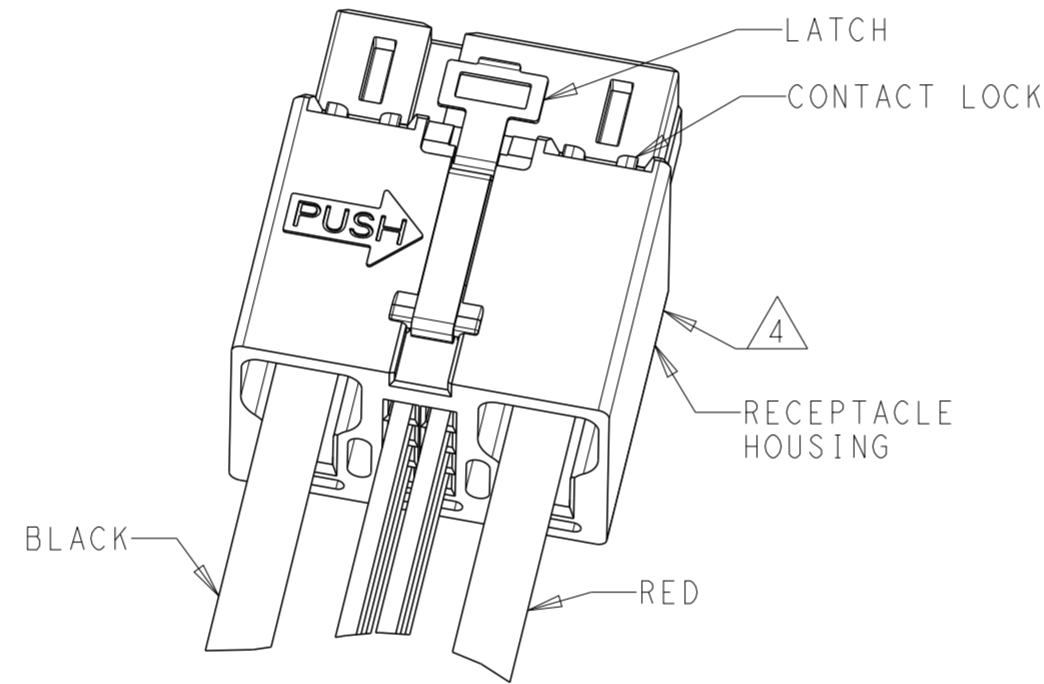
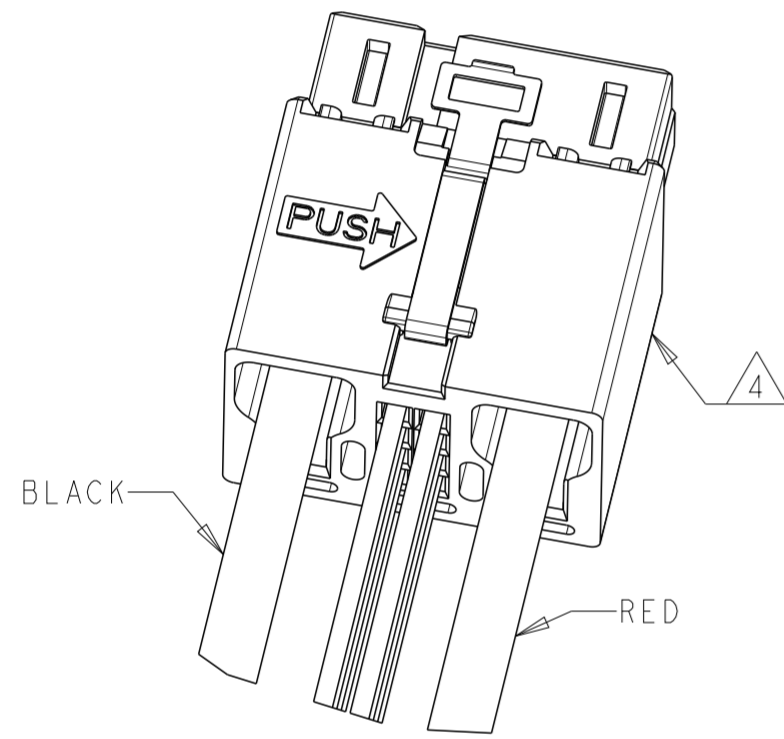


THIS DRAWING IS UNPUBLISHED. RELEASED FOR PUBLICATION 20  
 © COPYRIGHT 20 BY - ALL RIGHTS RESERVED.

REVISIONS				
P	LTR	DESCRIPTION	DATE	APVD
A		INITIAL RELEASE TO PRODUCTION	14SEP2021	-



RECOMMENDED PANEL LAYOUT  
(2332798-5 THRU 2332798-8 ONLY)



- 1 MATERIAL: LATCH - STAINLESS STEEL  
CONTACTS - HIGH CONDUCTIVITY COPPER ALLOY  
HOUSINGS - THERMOPLASTIC, UL94 V-0  
MAIN HOUSINGS COLOR: ORANGE  
CONTACT LOCKS COLOR: WHITE  
POWER WIRE - STRANDED COPPER WITH SILICONE JACKET,  
RATED TO 200°C  
COLOR: RED OR BLACK AS SHOWN.  
SIGNAL WIRE - STRANDED COPPER, 24 AWG.  
COLOR: WHITE
- 2 CONTACT FINISH: NICKEL UNDERPLATE ALL OVER.  
NOBLE METAL PLATING ON CONTACT FUNCTIONAL AREA.  
TIN PLATING IN CRIMP AREA
- 3 REFERENCE PLUG CONNECTOR ASSEMBLY TE P/N 2332801
- 4 REFERENCE RECEPTACLE CONNECTOR ASSEMBLY TE P/N 2332800
- 5. KIT PACKAGED UNMATED IN PLASTIC BAG.
- 6 FEATURES DESIGNED TO RETAIN M3 THIN HEX NUT (DIN 439)
- 7 DIMENSIONS DO NOT APPLY TO 2332798-1 THROUGH 2332798-4

SCALE 2:1  
2332798-1 THRU  
2332798-4

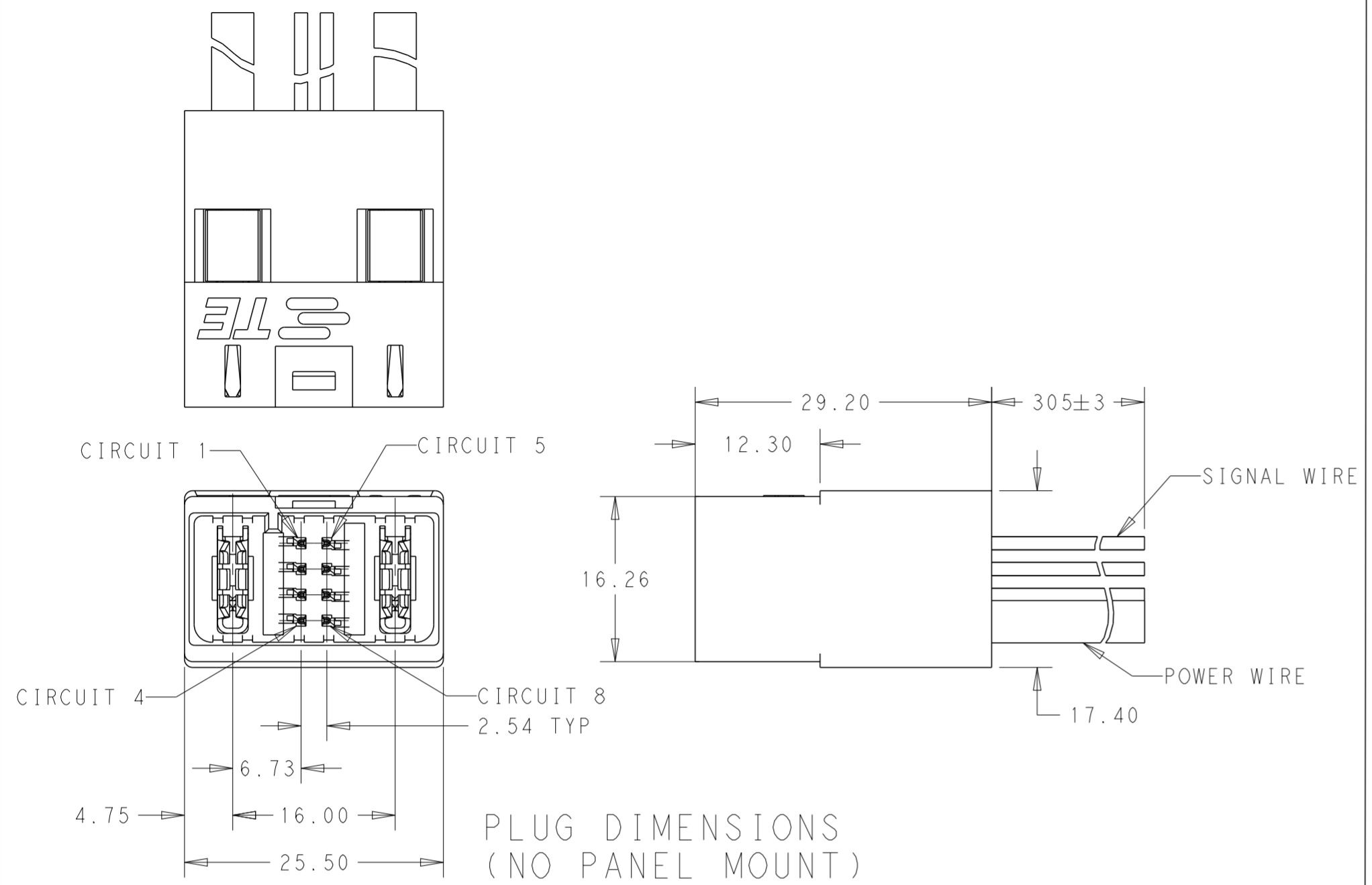
SCALE 2:1  
PANEL MOUNT  
2332798-5 THRU  
2332798-8

8 AWG	YES	2332798-8
10 AWG	YES	2332798-7
12 AWG	YES	2332798-6
14 AWG	YES	2332798-5
8 AWG	NO	2332798-4
10 AWG	NO	2332798-3
12 AWG	NO	2332798-2
14 AWG	NO	2332798-1
POWER WIRE SIZE	PANEL MOUNT	PART NO.

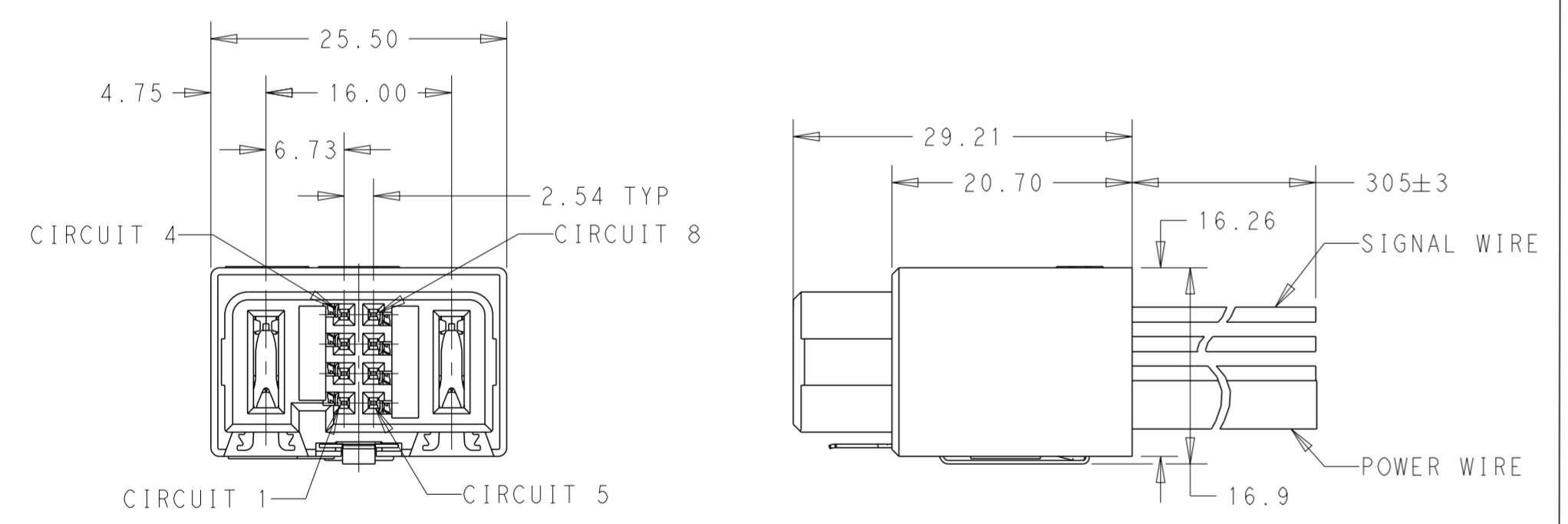
THIS DRAWING IS A CONTROLLED DOCUMENT.		DWN K. MILLER 11OCT2018	TE Connectivity	
		CHK N. RUFFINI 11OCT2018		
DIMENSIONS: mm		TOLERANCES UNLESS OTHERWISE SPECIFIED:		NAME UMP, PLUG AND RECEPTACLE, WITH SIGNAL, CONNECTOR KIT/ASSY, WIRE TO WIRE WITH PIGTAILS
		0 PLC ±	1 PLC ±0.25	PRODUCT SPEC 108-163021
		2 PLC ±0.13	3 PLC ±	APPLICATION SPEC 114-163021
		4 PLC ±	ANGLES ±2°0'	SIZE A200779
MATERIAL		FINISH		CAGE CODE C-2332798
1		2		DRAWING NO C-2332798
CUSTOMER DRAWING		SCALE 2:1		RESTRICTED TO -
		SHEET 1 OF 2		REV A

THIS DRAWING IS UNPUBLISHED. RELEASED FOR PUBLICATION 20  
 © COPYRIGHT 20 BY - ALL RIGHTS RESERVED.

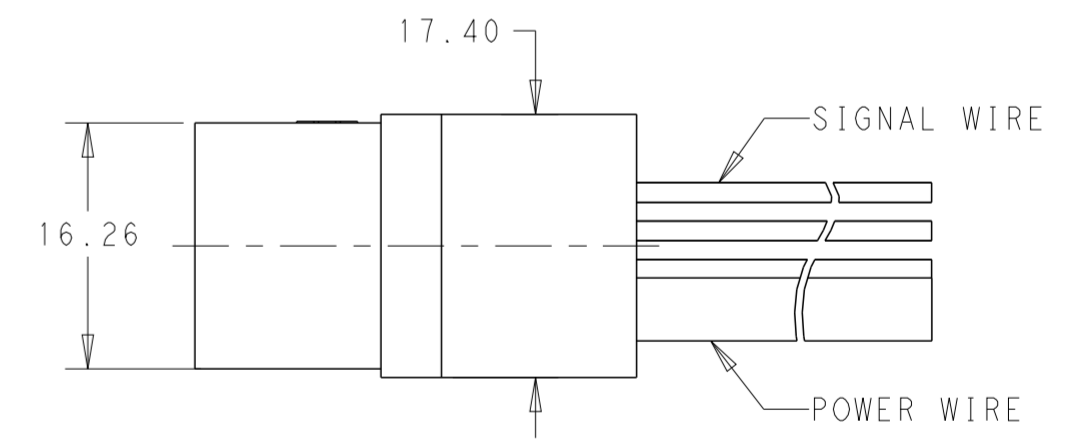
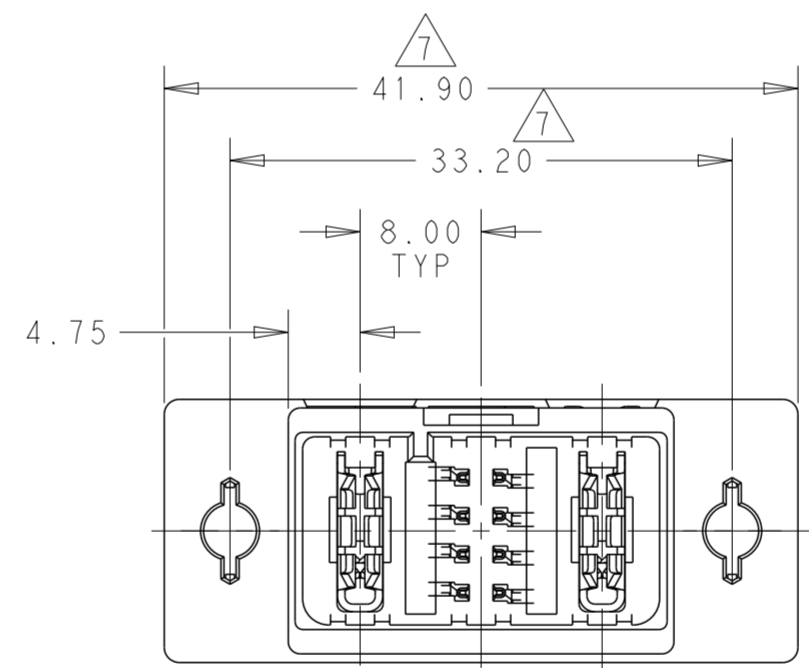
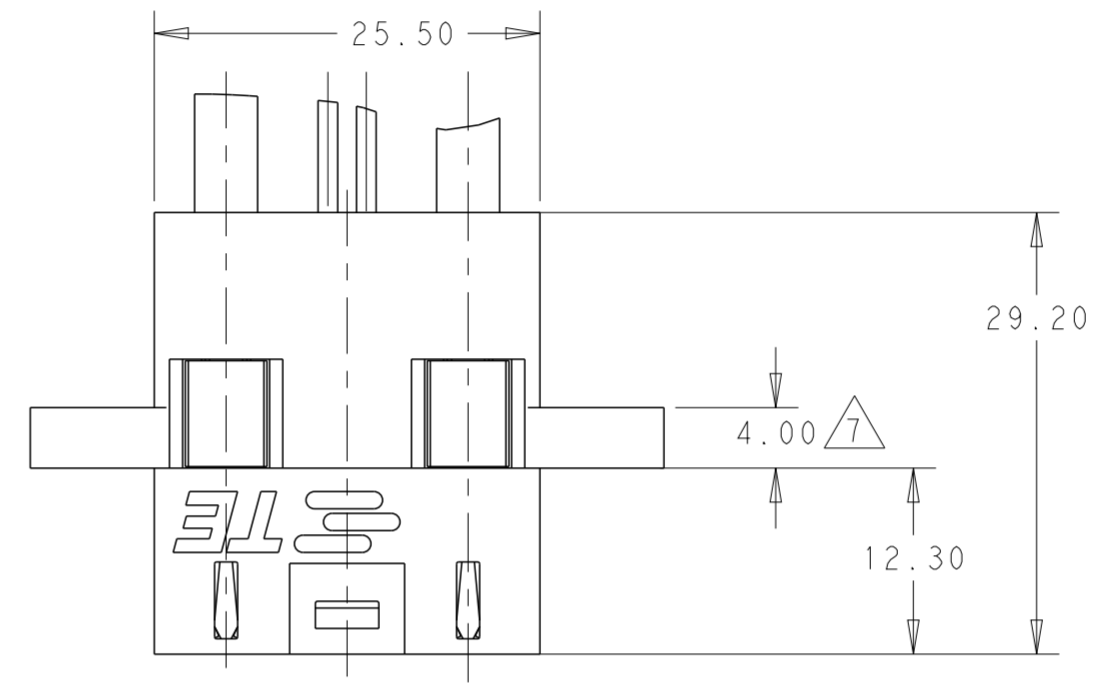
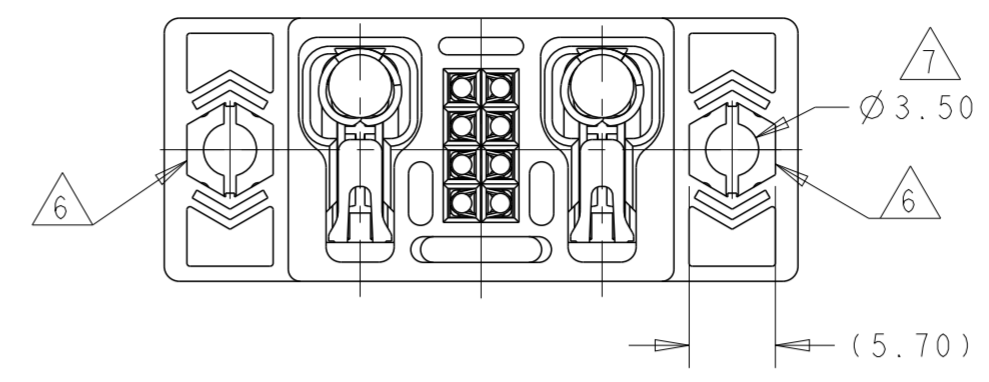
REVISIONS				
P	LTR	DESCRIPTION	DATE	APVD
-	-	SEE SHEET 1	-	-



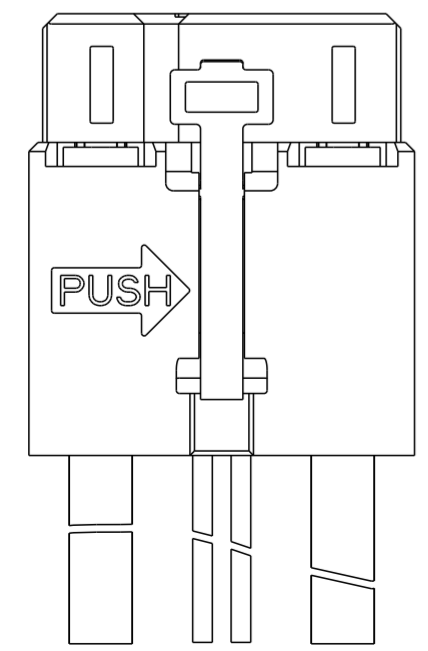
PLUG DIMENSIONS  
(NO PANEL MOUNT)




RECEPTACLE DIMENSIONS



PLUG DIMENSIONS  
(WITH PANEL MOUNT)



THIS DRAWING IS A CONTROLLED DOCUMENT.		DWN K. MILLER 11OCT2018	 TE Connectivity
DIMENSIONS: mm		CHK N. RUFFINI 11OCT2018	
TOLERANCES UNLESS OTHERWISE SPECIFIED:		APVD -	NAME UMP, PLUG AND RECEPTACLE, WITH SIGNAL, CONNECTOR KIT/ASSY, WIRE TO WIRE WITH PIGTAILS
0 PLC	±	PRODUCT SPEC 108-163021	SIZE 114-163021
1 PLC	±0.25	APPLICATION SPEC	RESTRICTED TO
2 PLC	±0.13	114-163021	SIZE A200779
3 PLC	±	WEIGHT	CAGE CODE C-2332798
4 PLC	±	CUSTOMER DRAWING	DRAWING NO -
ANGLES	±2°	SCALE 2:1	SHEET 2 OF 2
FINISH		REV A	