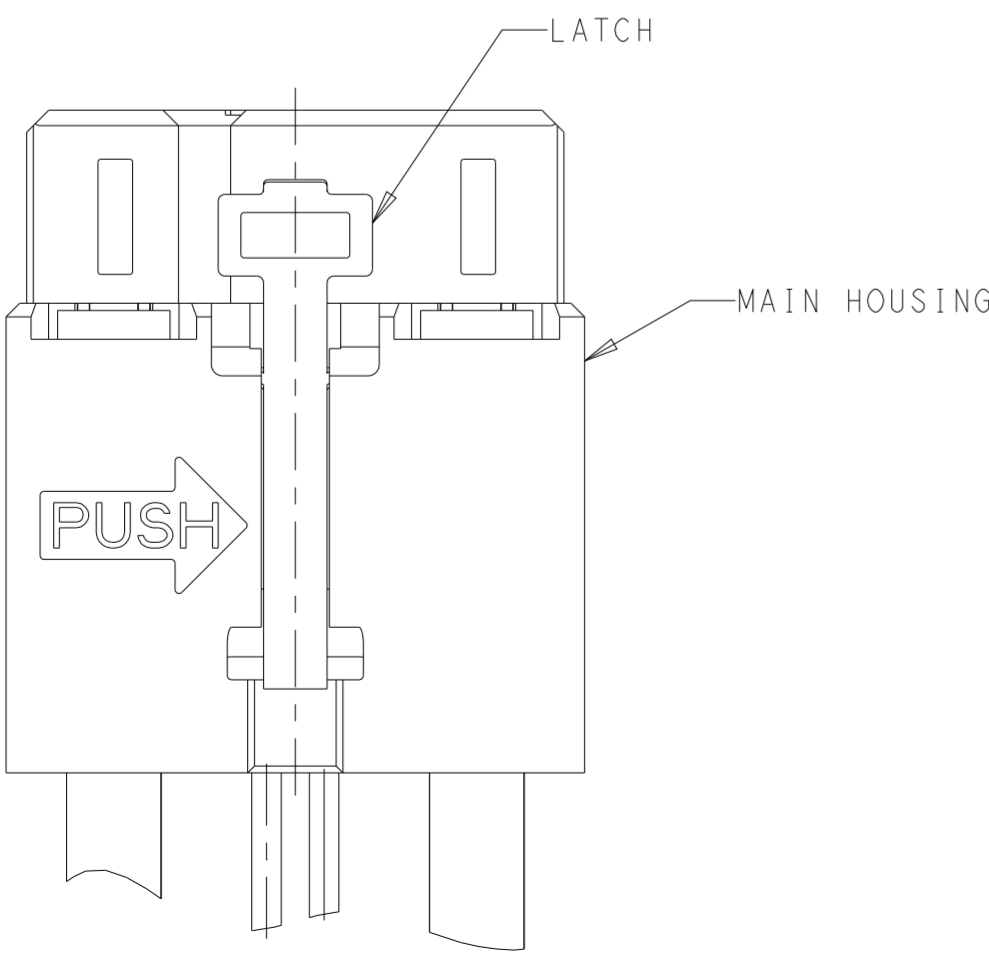
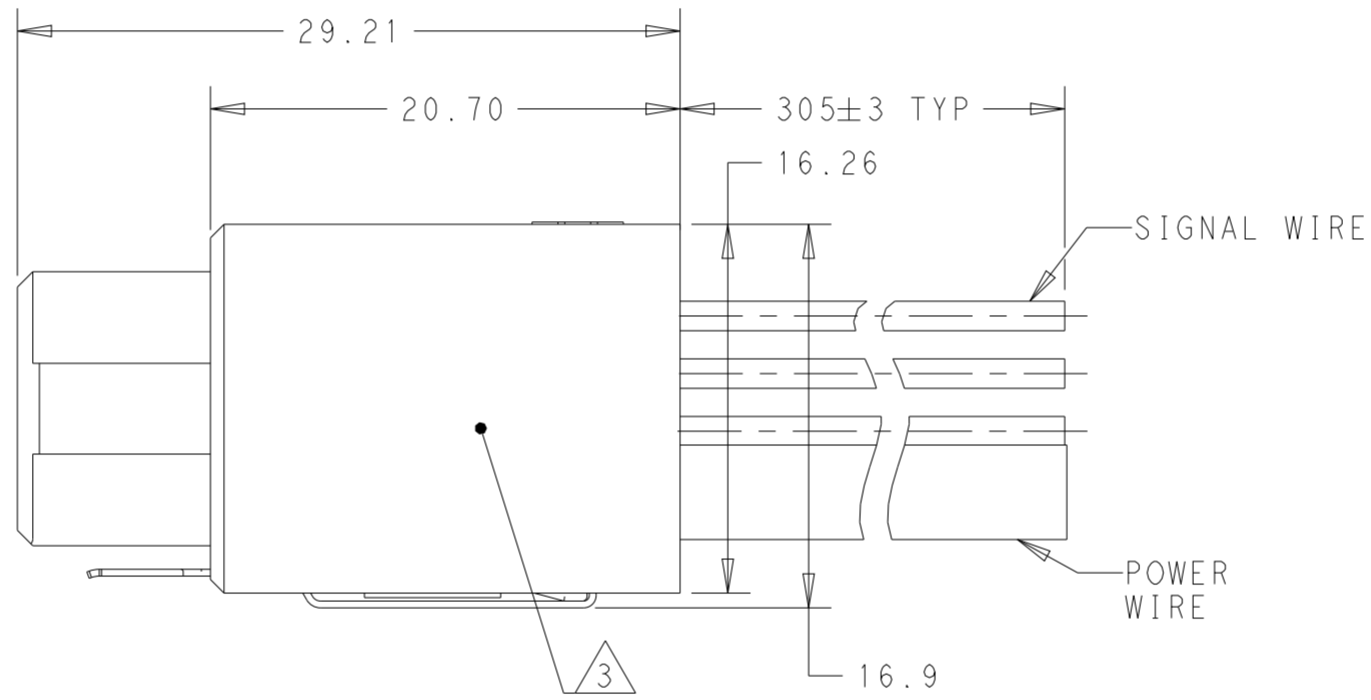
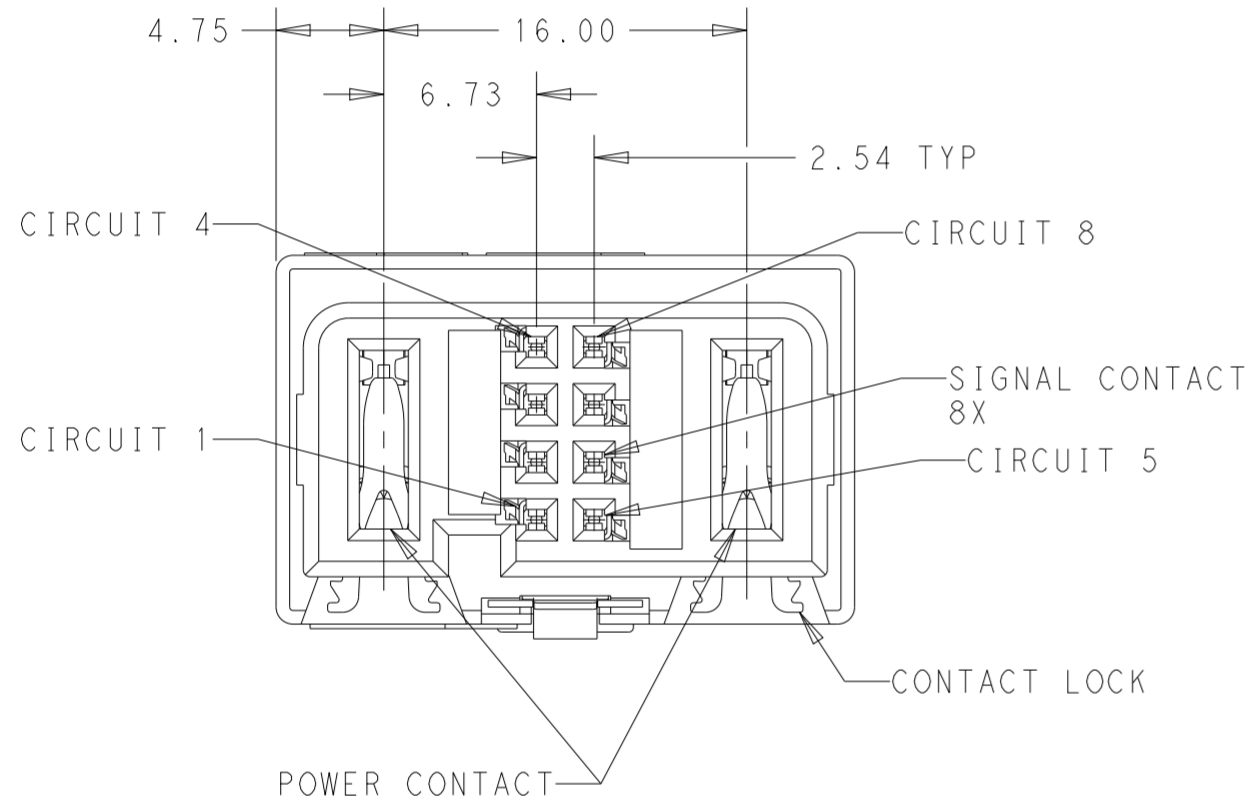
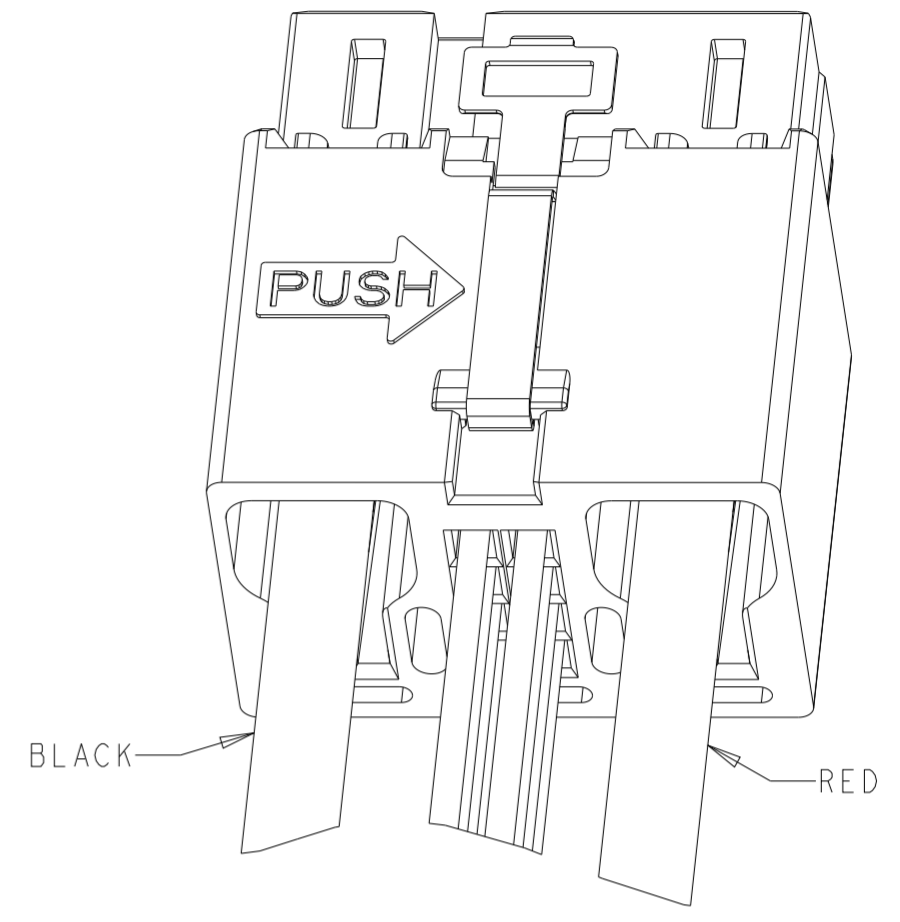
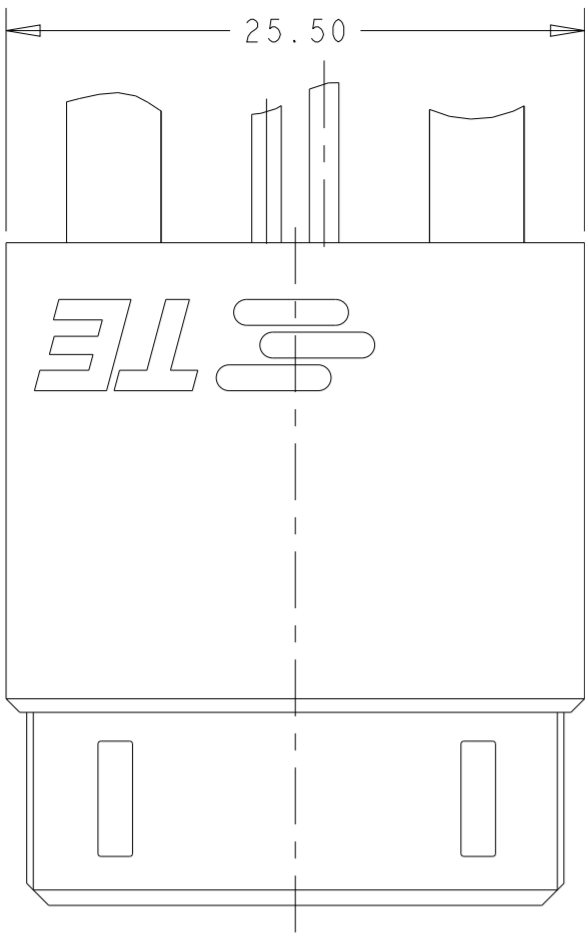


THIS DRAWING IS UNPUBLISHED. RELEASED FOR PUBLICATION 20  
 © COPYRIGHT 20 BY - ALL RIGHTS RESERVED.

REVISIONS				
P	LTR	DESCRIPTION	DATE	APVD
A		INITIAL RELEASE	14SEP2021	



- 1 MATERIAL: LATCH - STAINLESS STEEL  
 CONTACTS - COPPER ALLOY  
 HOUSINGS - THERMOPLASTIC, UL94 V-0  
 MAIN HOUSING COLOR: ORANGE  
 CONTACT LOCKS COLOR: WHITE  
 POWER WIRE - STRANDED COPPER WITH SILICONE JACKET, RATED TO 200°C  
 COLOR: RED OR BLACK AS SHOWN  
 SIGNAL WIRE - STRANDED COPPER, 24 AWG.  
 COLOR: WHITE
- 2 FINISH: NICKEL UNDERPLATE ALL OVER.  
 NOBLE METAL PLATING ON CONTACT FUNCTIONAL AREA.  
 TIN PLATING IN CRIMP AREA
- 3 PART NUMBER AND DATECODE TO BE MARKED IN AREA SHOWN.

8 AWG	2332800-4
10 AWG	2332800-3
12 AWG	2332800-2
14 AWG	2332800-1
WIRE SIZE	PART NO.

THIS DRAWING IS A CONTROLLED DOCUMENT.		DWN K. MILLER 01OCT2018	TE Connectivity	
DIMENSIONS: mm		CHK N. RUFFINI 01OCT2018		
TOLERANCES UNLESS OTHERWISE SPECIFIED:		APVD	NAME	
0 PLC ±	1 PLC ±0.25	PRODUCT SPEC	UMP, RECEPTACLE, WITH SIGNAL CONNECTOR ASSEMBLY	
2 PLC ±0.13	3 PLC ±	108-163021	-	
4 PLC ±	ANGLES ±2°0'	APPLICATION SPEC	SIZE	CAGE CODE
FINISH		114-163021	A2	00779
1	2	WEIGHT	DRAWING NO	
			C-2332800	
CUSTOMER DRAWING		SCALE	SHEET	REV
		3:1	1 OF 1	A